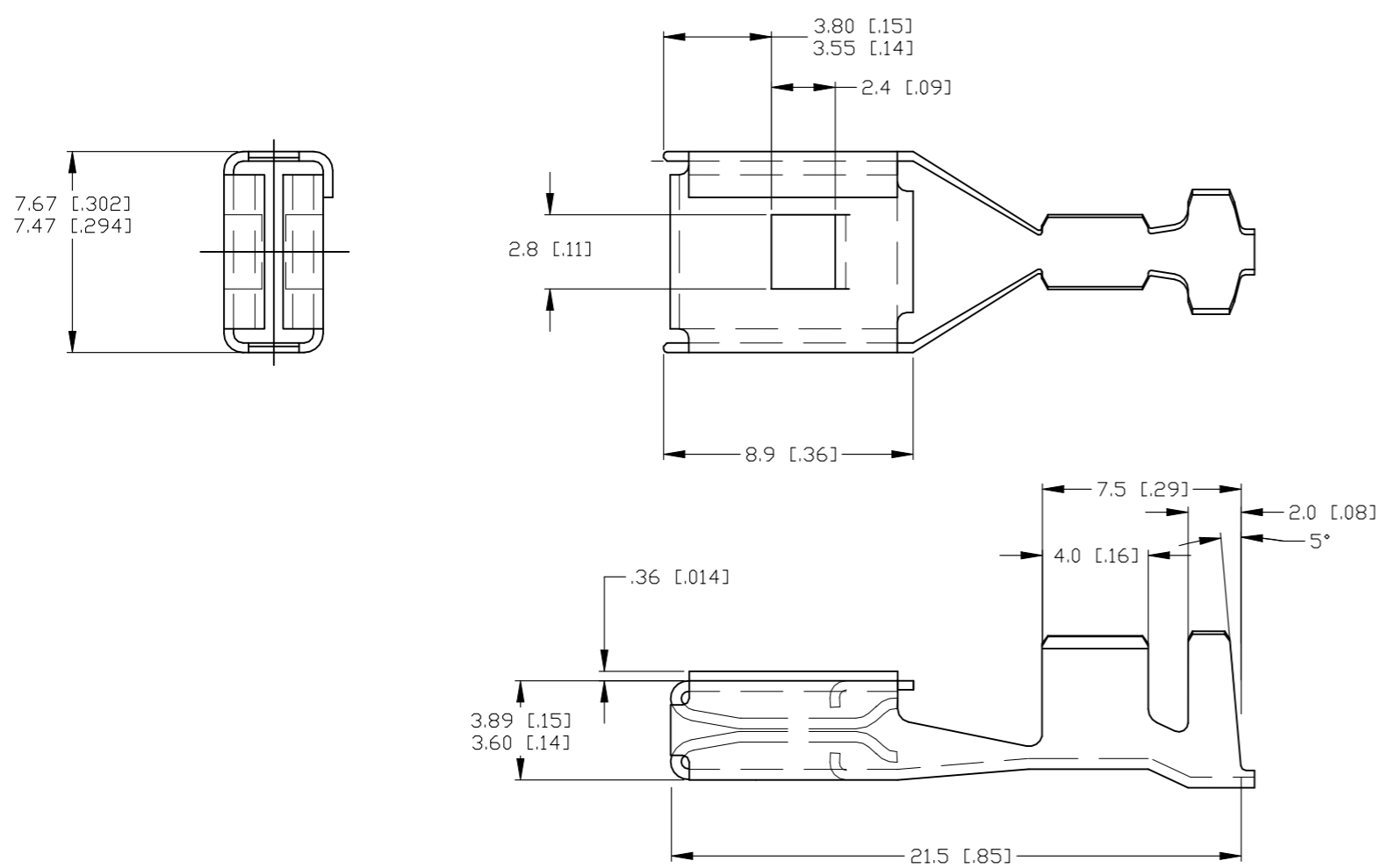


© - TE Connectivity. All Rights Reserved.

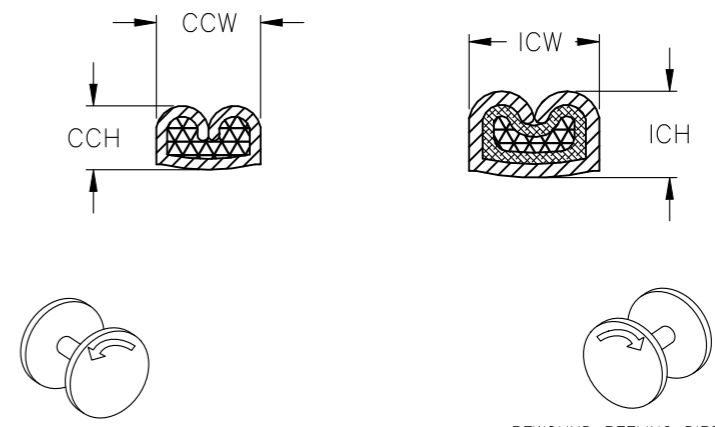
REVISIONS

P	LTR	DESCRIPTION	DATE	DWN	APVD
	B	REVISED PER ECO-15-003781	12MAR2015	DD	WW
	B1	REVISED PER ECO-20-012739	30SEP2020	AP	WW
	B2	REVISED PER ECN-22-145617	23JUN2022	AP	MT



GRIP CODE	WIRE SIZE (AWG)	CCW CONDUCTOR CRIMP WIDTH (TOL ±0.10)	CCH CONDUCTOR CRIMP HEIGHT (TOL ±0.05)	ICW INSULATION CRIMP WIDTH (THIN WALL) (TOL ±0.10)	ICH INSULATION CRIMP HEIGHT (THIN WALL) (TOL ±0.10)	ICW INSULATION CRIMP WIDTH (STD WALL) (TOL ±0.10)	ICH INSULATION CRIMP HEIGHT (STD WALL) (TOL ±0.10)
22	24	1.85	1.19	2.06	1.65	2.06	1.65
	22	1.85	1.30	2.06	1.80	2.06	1.80
19							
18	20	2.06	1.40	3.05	2.18	3.05	2.28
	18	2.06	1.50	3.05	2.28	3.05	2.44
14	16	2.64	1.70	3.71	2.90		
	14	2.64	1.85	3.71	3.10		
13	18+22	3.05	1.70	5.69			
	20+20	3.05	1.50	5.69			
	18+20	3.05	1.65	5.69			
	16+20	3.05	1.70	5.69			
	16+18	3.05	1.8	5.69			
11	14+20	3.86		6.60			
	14+18	3.86		6.60			
	14+16	3.86		6.60			
	12+20	3.86	1.72	6.60			
	12+18	3.86	1.80	6.60			
10	12	3.45	2.06	5.16	3.80		
	10	3.45	2.21	5.16	4.10		

RECOMMENDED CRIMP DIMENSIONS



TERMINALS ARE TO BE REELED WITH THE CRIMP GRIPS UP AND TO THE NEAR SIDE. UNWIND DIRECTION FROM RIGHT TO LEFT

TERMINALS ARE TO BE REELED WITH THE CRIMP GRIPS UP AND TO THE NEAR SIDE. UNWIND DIRECTION FROM LEFT TO RIGHT

-	2-1438238-3	22	LOW	OBSOLETE
-	2-1438238-2	19	LOW	OBSOLETE
-	2-1438238-0	18	LOW	OBSOLETE
-	1438238-8	14	LOW	
-	2-1438238-1	13	LOW	OBSOLETE
-	1-1438238-2	11	LOW	
1-1438238-0	1438238-9	10	LOW	
-	1-1438238-9	19	LOW	
-	1-1438238-1	18	LOW	
-	1438238-3	14	LOW	OBSOLETE
-	1438238-4	13	LOW	OBSOLETE
-	1438238-5	11	LOW	OBSOLETE
-	1438238-6	10	LOW	
-	1-1438238-3	22	HIGH	OBSOLETE
-	1-1438238-5	19	HIGH	
-	1-1438238-8	18	HIGH	
-	1438238-2	14	HIGH	OBSOLETE
-	1-1438238-7	13	HIGH	
-	1-1438238-6	11	HIGH	
-	1-1438238-4	10	HIGH	
TE CONNECTIVITY REWOUND P/N	TE CONNECTIVITY P/N	GRIP CODE	INSERTION FORCE	

THIS DRAWING IS A CONTROLLED DOCUMENT.

DIMENSIONS: mm

TOLERANCES UNLESS OTHERWISE SPECIFIED:

0 PLC	± -
1 PLC	± -
2 PLC	± .25
3 PLC	± -
4 PLC	± -
ANGLES	± 2°

MATERIAL: - FINISH: -

DWN: JR BUSSARD 09 MAY 2003

CHK: DM REVAK 09 MAY 2003

APVD: DM REVAK 09 MAY 2003

PRODUCT SPEC: -

APPLICATION SPEC: -

WEIGHT: 0.000000

CUSTOMER DRAWING

STE TE Connectivity

NAME: -

TERMINAL BLADE TYPE FEMALE

SIZE: A3 CAGE CODE: 00779 DRAWING NO: C-1438238 RESTRICTED TO: -

SCALE: 4:1 SHEET: 1 OF 1 REV: B2