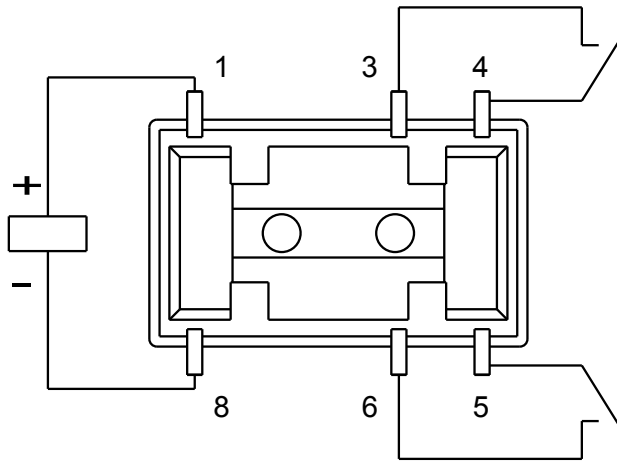
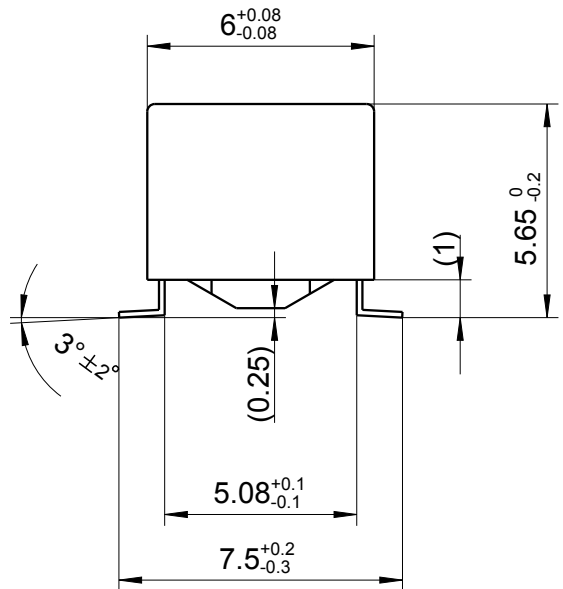
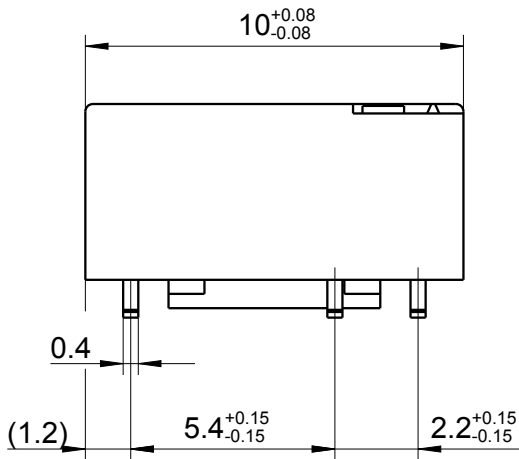


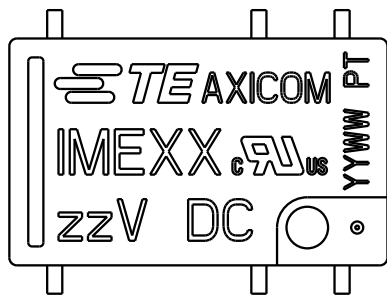
LOC	DIST	REVISIONS					
		P	LTR	DESCRIPTION	DATE	DWN	APVD
HJ	-		A2	REVISED PER ECO-11-005150	25MAR2011	UKo	AK
			A3	REVISED PER ECR-13-014508 (TE-Logo)	16SEP2013	UKo	AK



Relay - bottom view



Coplanarity < 0.10mm



XX = Relay type  
 ZZ = nominal voltage  
 YYWW = Date code

2000

RELEASED FOR PUBLICATION

ALL RIGHTS RESERVED.

THIS DRAWING IS UNPUBLISHED.

© COPYRIGHT 2000

DIMENSIONS: mm	DWN UKo 9193	07AUG2008	MATERIAL	-	FINISH	-
	CHK HD 9121	07AUG2008	TE Connectivity			
TOLERANCES UNLESS OTHERWISE SPECIFIED: DIN 7168-m	APVD HD 9121	07AUG2008				
0 PLC ±	PRODUCT SPEC	-	NAME IME-Relay SMT Gull Wings (2 Form A) Dimensions			
1 PLC ±	APPLICATION SPEC	-				
2 PLC ±	WEIGHT	-	SIZE	CAGE CODE	DRAWING NO	RESTRICTED TO
3 PLC ±			A4	00779	C-1462043-2	-
4 PLC ±			CUSTOMER DRAWING			SCALE
ANGLES ±						5:1
						SHEET
						1 OF 1
						REV
						A3