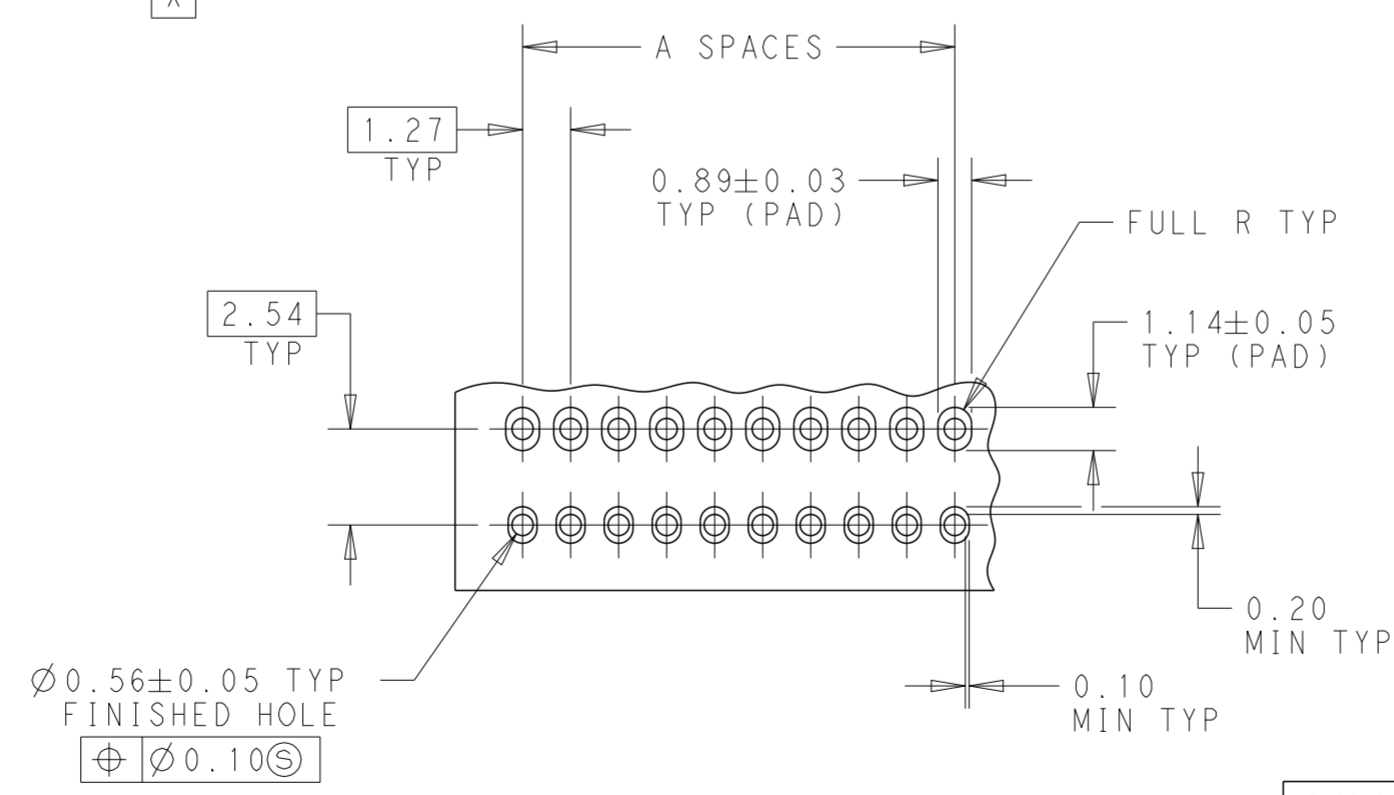
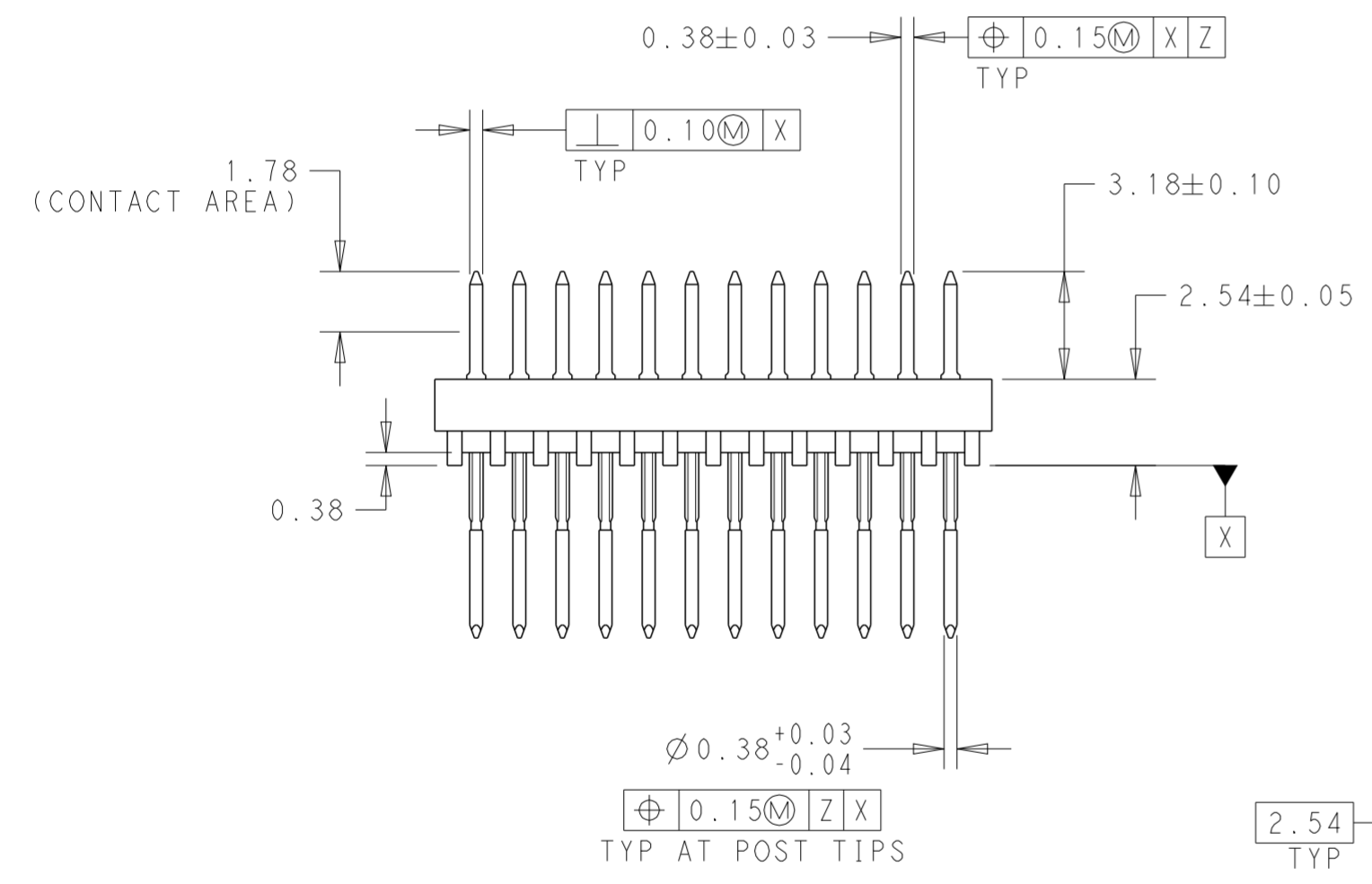
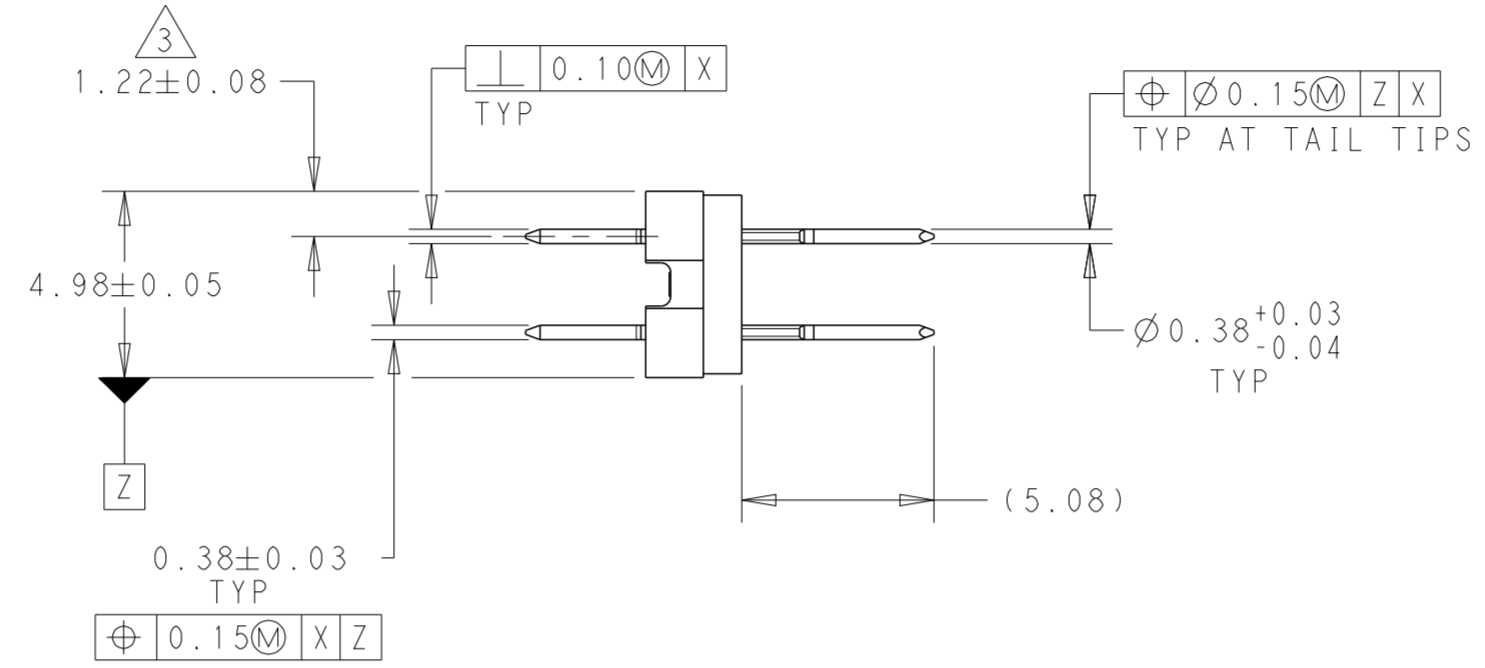
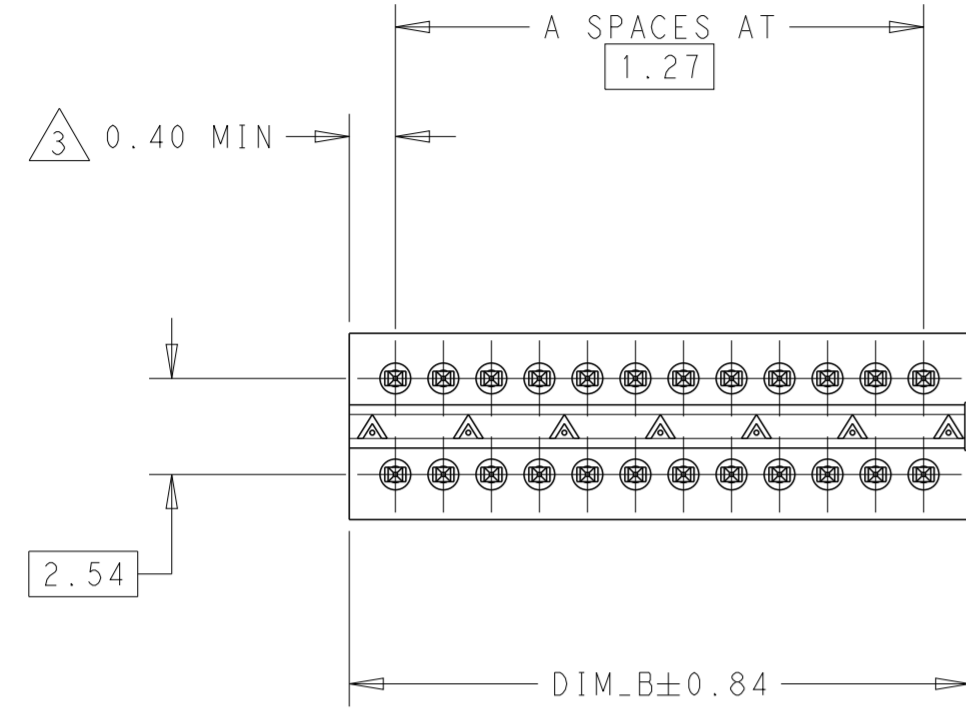
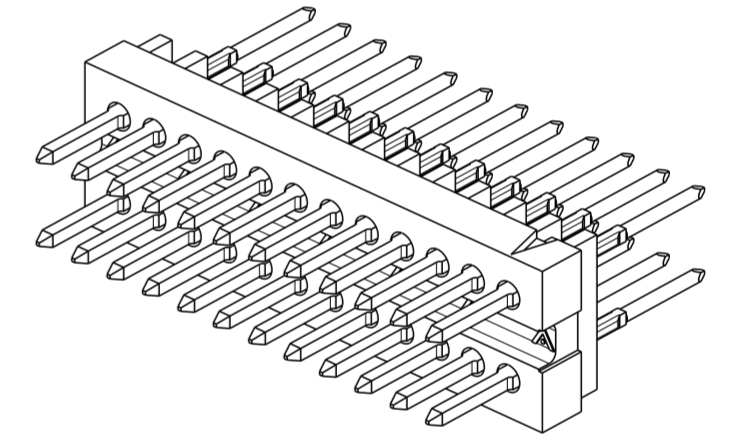


THIS DRAWING IS UNPUBLISHED. RELEASED FOR PUBLICATION 20
 © COPYRIGHT 20 BY - ALL RIGHTS RESERVED.

REVISIONS				
P	LTR	DESCRIPTION	DATE	DWN APVD
	D	REDRAWN/REVISED PER ECO-17-001756	13NOV2017	GR JO



- 1. ENTIRE CONTACT PLATED WITH 0.76µm GOLD OVER 1.27µm MIN. NICKEL
- 2. NOTE DELETED
- 3. THE NOTED DIMENSIONS APPLY AT THE INTERSECTION OF THE POST AND HOUSING.
- 4. FINISH: 0.03µm MIN GOLD ON ENTIRE CONTACT. UNDER PLATING TO BE 1.27µm NICKEL ON ENTIRE CONTACT.
- 5. NOTE DELETED
- 6. NOTE DELETED
- 7. MATERIAL: HOUSING: LCP, COLOR-BLACK CONTACT: COPPER ALLOY



4	26.57	19	40	2-146744-3
	8.79	5	12	2-146744-2
	16.4	11	24	2-146744-1
1	26.57	19	40	146744-3
	8.79	5	12	146744-2
	16.4	11	24	146744-1
FINISH	DIM_B	A SPACES	NO OF POSN	PART NUMBER

THIS DRAWING IS A CONTROLLED DOCUMENT.

DIMENSIONS:	TOLERANCES UNLESS OTHERWISE SPECIFIED:	DWN	13NOV2017
mm	0 PLC ±	G. RAMESH	13NOV2017
	1 PLC ±0.3	CHK	J. OLSON
	2 PLC ±0.13	APVD	J. OLSON
	3 PLC ±	PRODUCT SPEC	108-1093
	4 PLC ±	APPLICATION SPEC	114-25031
	ANGLES ±	WEIGHT	-
	FINISH ±0.5°	CUSTOMER DRAWING	SCALE 5:1 SHEET 1 OF 1 REV D
MATERIAL	SEE TABLE	TE Connectivity NAME: HEADER ASSEMBLY, VERTICAL, UNSHROUDED, AMPMODU SYSTEM 50 SIZE: A2 CAGE CODE: 00779 DRAWING NO: C-146744	