

© - TE Connectivity. All Rights Reserved.

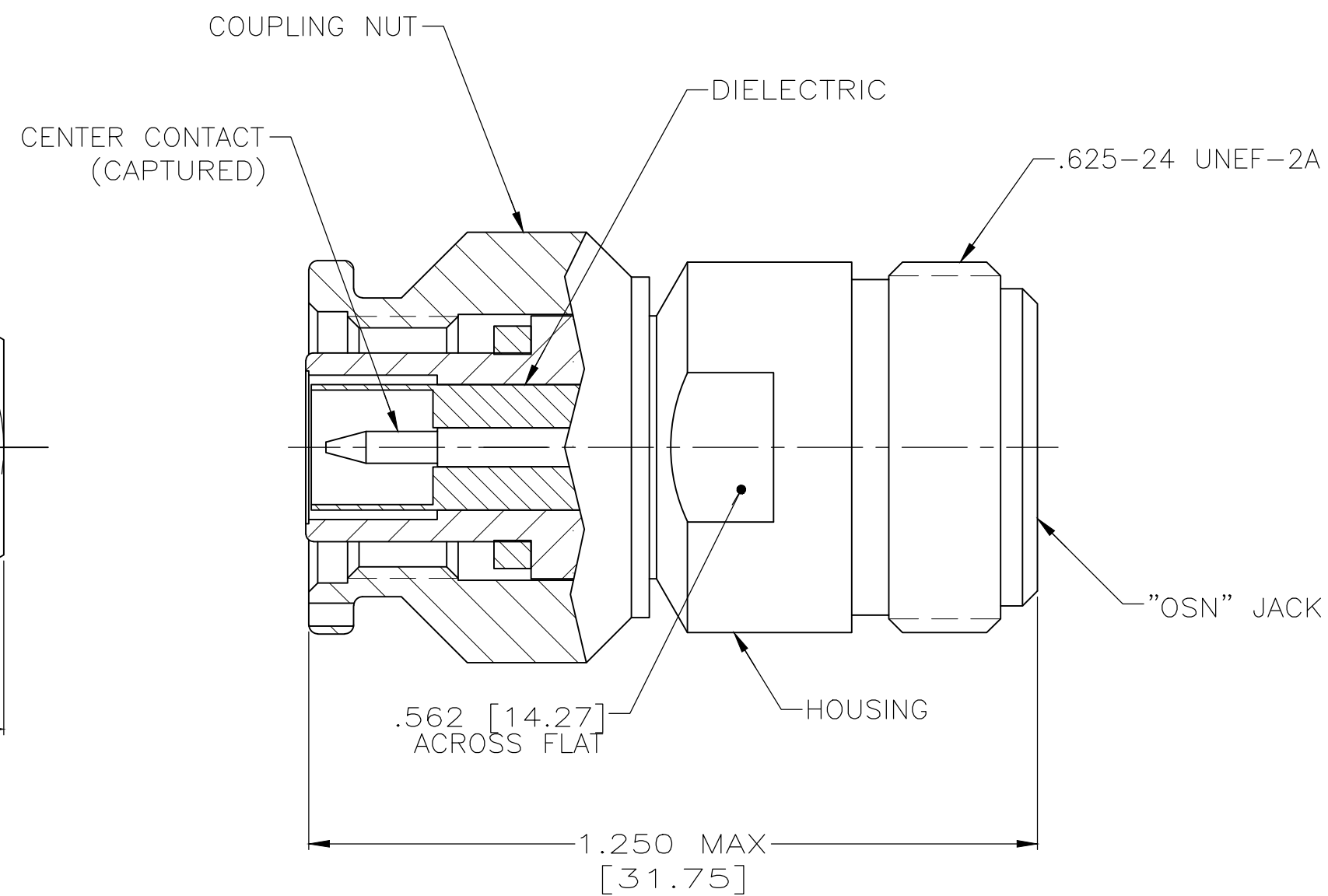
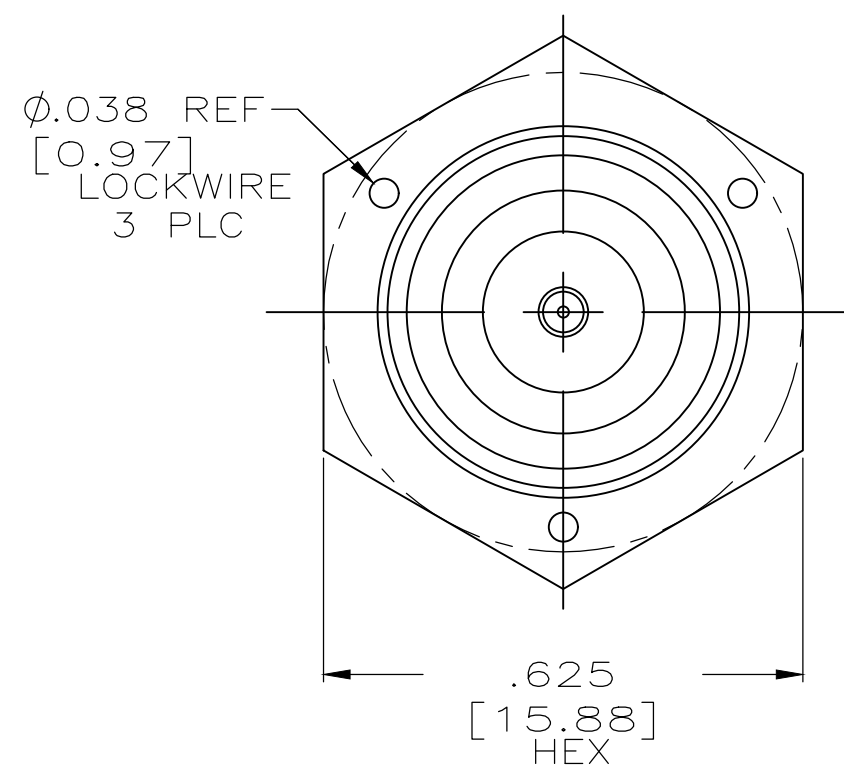
REVISIONS

COMPONENT	MATERIAL	FINISH
HOUSING COUPLING NUT	STAINLESS STEEL PER ASTM-A-484 OR ASTM-A-582 TYPE 303	PASSIVATED PER QQ-P-35
DIELECTRIC	PTFE FLUORCARBON PER ASTM-D-1457	-
CENTER CONTACT	BERYLLIUM COPPER PER ASTM-B-196 OR ASTM-B-197 ALLOY C17300, CONDITION H	GOLD PLATED PER ASTM-B-488

P	LTR	DESCRIPTION	DATE	DWN	APVD
A		REV PER ECO 20-003322	5-12-20	CT	FB

ELECTRICAL

NORMAL IMPEDANCE (OHMS):	50
FREQUENCY RANGE (GHz):	DC TO 18.0
VOLT RATING @ SEA LEVEL (VRMS MAX):	500
VSWR:	1.2:1 MAX up to 10GHz
INSERTION LOSS: (dB MAX):	0.4
RF HIGH POTENTIAL VOLTAGE:	1,000 V _{rm} MIN
INSULATION RESISTANCE:	5,000 MegaOhm MIN
WORKING VOLTAGE:	500 V _{rm} @ SEA LEVEL
DWV:	1,500 V _{rm} MIN AT SEA LEVEL
CORONA LEVEL:	375 V MIN AT 70,000 FEET
TEMPERATURE RATING:	-65°C TO +165°C



1484244-1
PART NO.

THIS DRAWING IS A CONTROLLED DOCUMENT.		DWN	9-5-01		
		CHK	9-5-01		
		APVD	9-5-01		
		PRODUCT SPEC			
DIMENSIONS:	TOLERANCES UNLESS OTHERWISE SPECIFIED:			NAME	
INCHES [mm]	0 PLC ± - 1 PLC ± - 2 PLC ± - 3 PLC ± .010 [0.25] 4 PLC ± - ANGLES ± -			OSN JACK TO OST PLUG ADAPTER	
MATERIAL	FINISH	WEIGHT	0.000000	SIZE	A2
SEE TABLE	SEE TABLE	CUSTOMER DRAWING		CAGE CODE	00779
			SCALE	DRAWING NO	RESTRICTED TO
			4:1	C=1484244	-
			SHEET	1 of 1	REV
					A