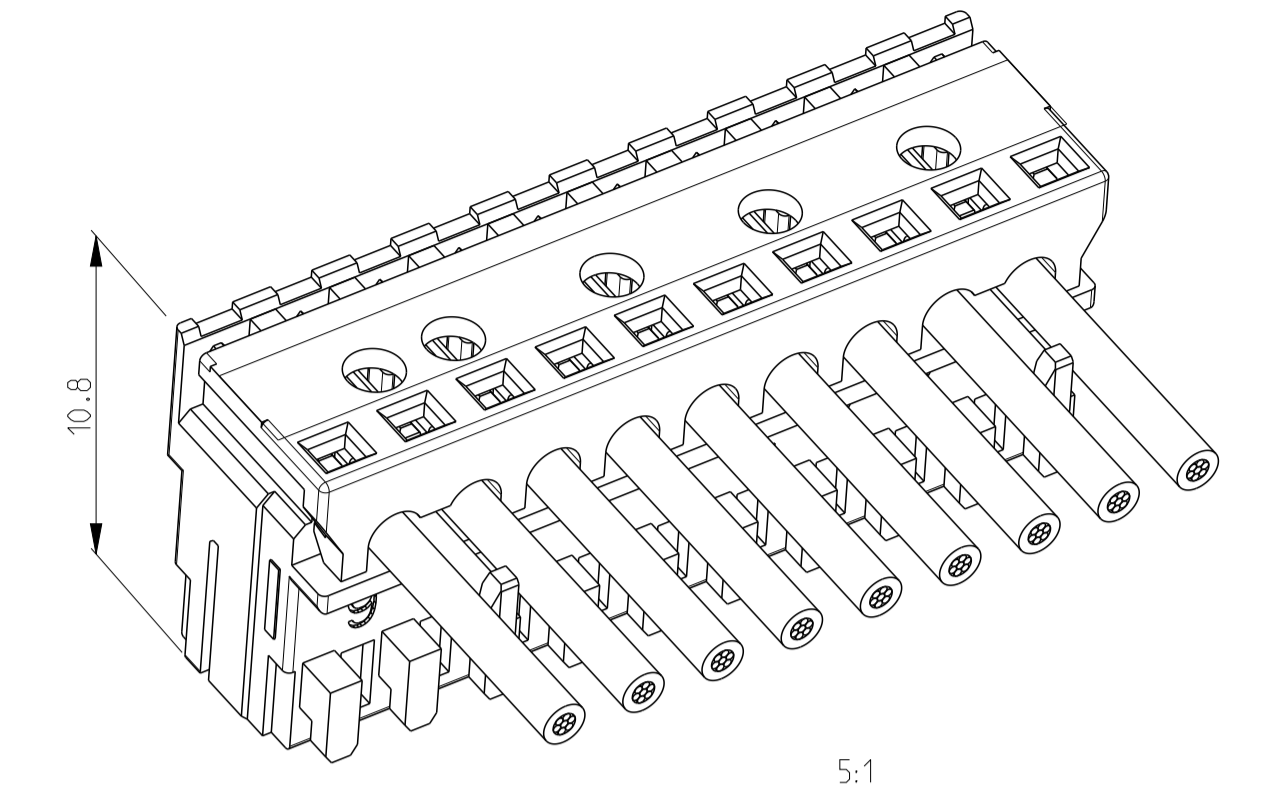
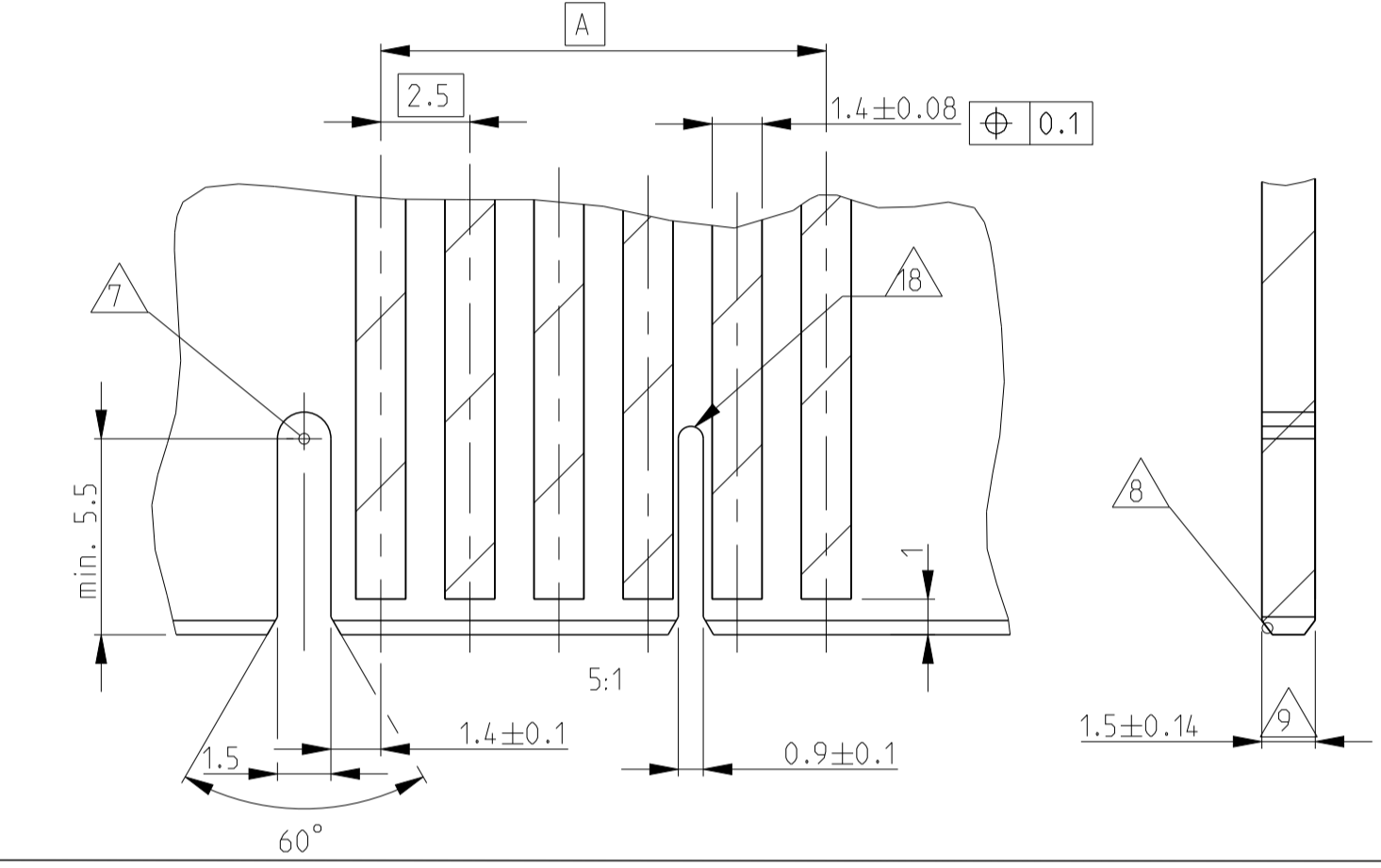


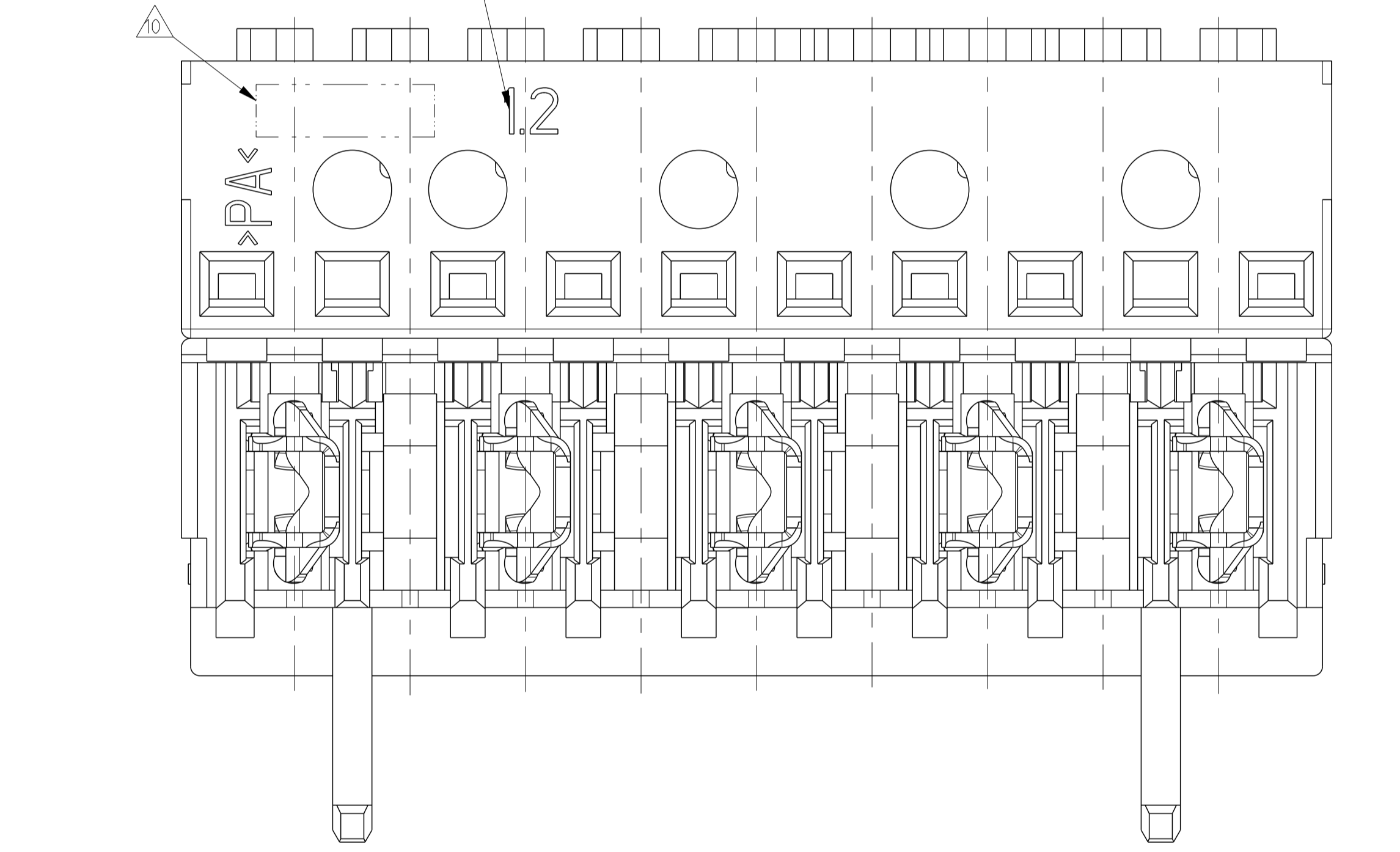
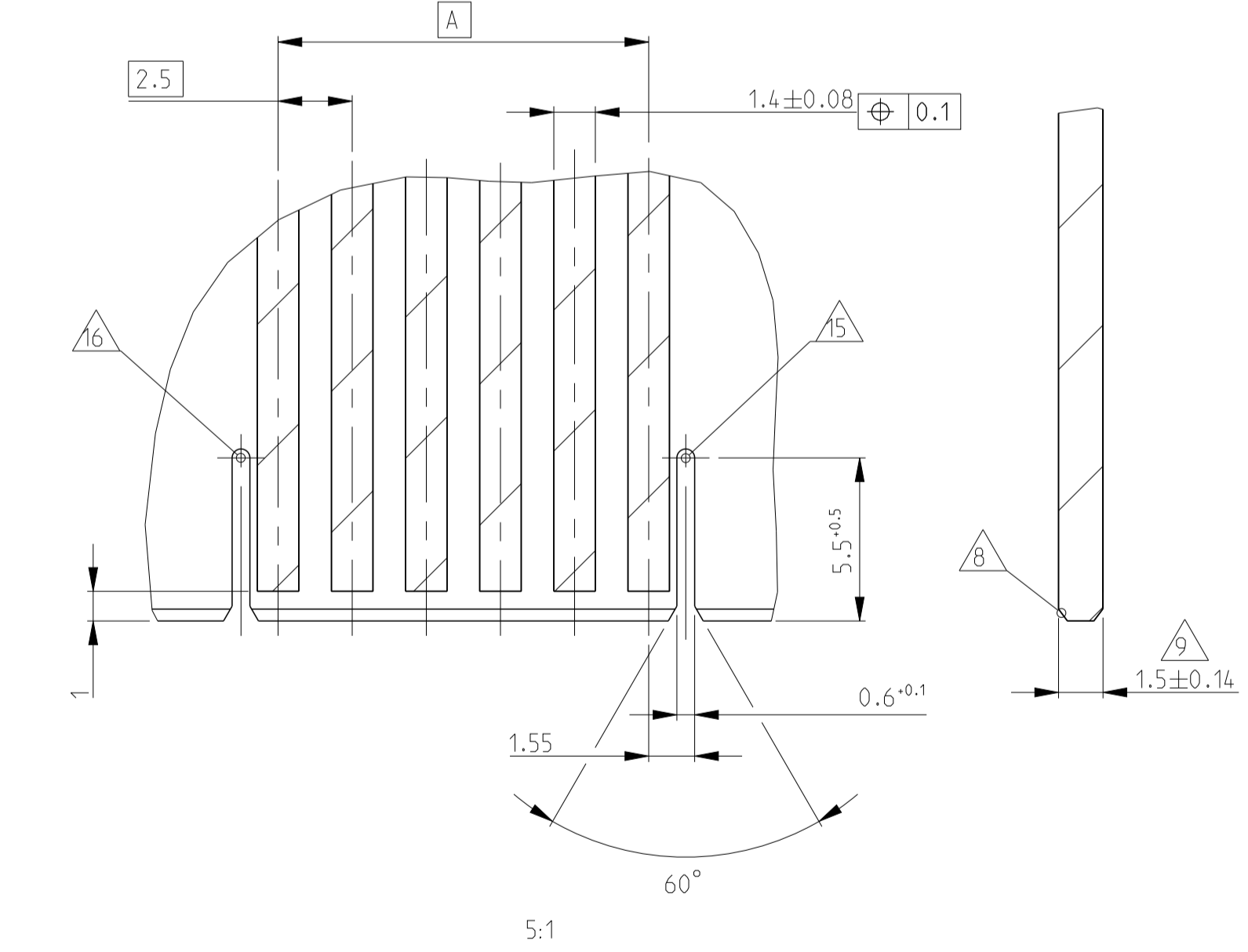
LOC	DIST	REVISIONS					
A1	-	P	LTM	DESCRIPTION	DATE	DWN	APVD
		D72		ECR-24-199676	19FEB2024	SP	FL
		D73		ECR-24-208820	20MAY2024	SP	FL
		D74		ECR-24-210631	04JUN2024	SP	FL
		D75		ECR-24-212370	25JUN2024	SP	FL



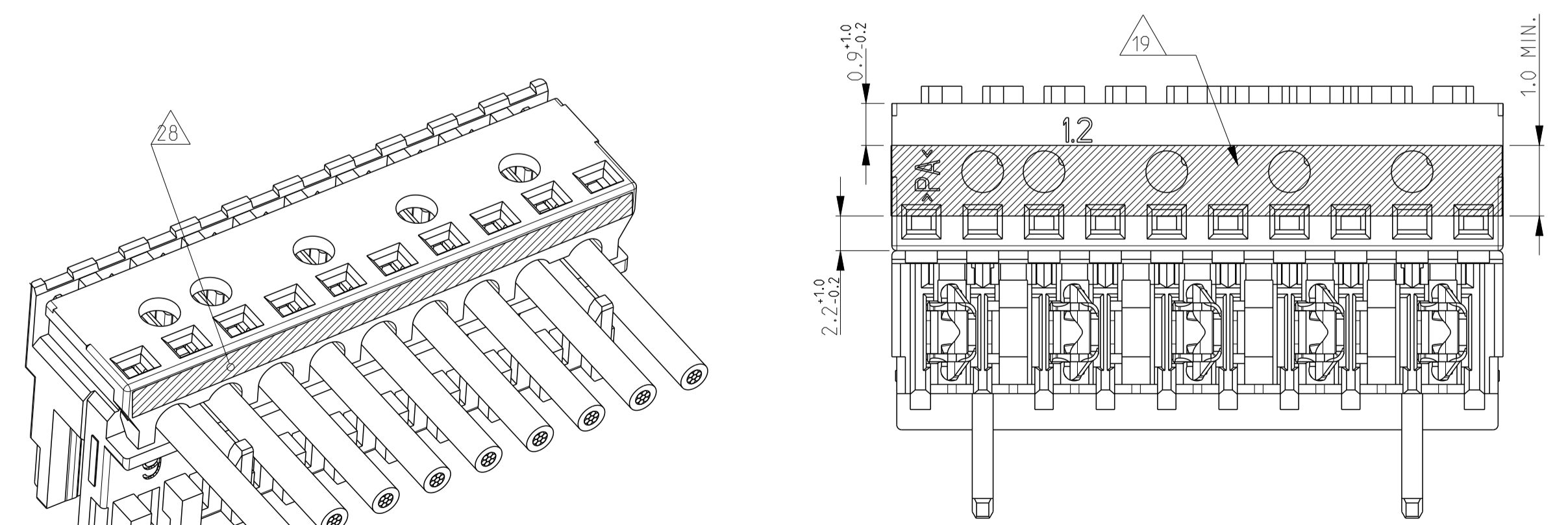
PCB LAYOUT KEYED / CONNECTED ONLY WITH ADDITIONAL FRAME (THICK KEYING)
Leiterplattenanschluss kodiert / nur in Verbindung mit zusätzlichem Rahmen



PCB LAYOUT KEYED / CONNECTED ONLY WITH ADDITIONAL FRAME (SLIM KEYING)
Leiterplattenanschluss kodiert / nur in Verbindung mit zusätzlichem Rahmen



- △29 CAVITY ID STARTS WITH LETTER FOR PARTS PRODUCTION IN QINGDAO PLANT, SUCH AS "A1.1"
- △28 STRIPE IN YELLOW COLOR WHERE SHOWN PRESENT ON THE PARTS PRODUCED IN TE COLLEGO ONLY
- △27 DIMENSION AVAILABE FOR PART X-2304525-X, X-2304526-X.
- △26 WITH SPECIAL CHAIN FEATURE
- △25 SIDE KEYING ON LAST CAVITY THICKNESS=1.5mm
- △24 SIDE KEYING ON CAVITY 1 THICKNESS=1.5mm
- △19 COLOR STRIP ON COVER OF HOUSING. NOT THE COLOR OF HOUSING.
- △18 SLOT, THICK, BETWEEN CAVITIES
- △17 KEYING, THICK, BETWEEN POSITION. THICKNESS 0.7mm
- △16 SLOT, SLIM, FOR SIDE KEYING, LAST CAVITY
- △15 SLOT, SLIM, FOR SIDE KEYING, SIDE CAVITY 1
- △14 SIDE KEYING, SLIM, ON LAST CAVITY. THICKNESS 0.45mm
- △13 SIDE KEYING, SLIM, ON CAVITY 1. THICKNESS 0.45mm
- △12 KEYING SLIM BETWEEN POSITIONS. THICKNESS 0.45mm
- △11 PRELIMINARY PART NOT RELEASED FOR PRODUCTION
- △10 TE LOGO
- △9 INCLUSIVE COPPER LOADING
- △8 PCB PREFERABLY CHAMFERED
- △7 SLOT, THICK, FOR SIDE KEYING
- △6 SIDE KEYING, THICK, ON LAST CAVITY. THICKNESS 0.7mm
- 5 WIRE RANG: 0.22-0.35mm² SEE APPLICATION SPEC. 114-18467
- △4 IEC60695-2-11 / IEC60335-1 GLOW WIRE TEST 750 °C W WITHOUT FLAME
- △3 X..CAVITY LOADED WITH CONTACT
O..CAVITY WITHOUT CONTACT
- 2 MATING PART: PCB (WITH FRAMES ACC. RAST 2.5 E.G. PN 964 575/576
TAB HEADER (FOR EXAMPLE: X-1971921/922-Y)
- △1 KEYING RIBS: CUTTING WITH TERMINATION MACHINE POSSIBLE



OTHER NOTE SEE SHEET 3 OF 3.

THIS DRAWING IS A CONTROLLED DOCUMENT.		DWN: H. Karabiyik 24MAY2002	 TE Connectivity
DIMENSIONS: mm		CHK: B. Schnaubelt 24MAY2002	
TOLERANCES UNLESS OTHERWISE SPECIFIED:		APVD: T. Klenner 24MAY2002	
0 PLC ±0.2 1 PLC ±0.2 2 PLC ±0.2 3 PLC ±0.2 4 PLC ±0.2 ANGLES ±°		NAME: AMP DUOPUG 2.5 MARK II FEMALE CONNECTOR 3-20 POSITION SELECTIVE LOADED	
MATERIAL: -		FINISH: -	PRODUCT SPEC: 108-18785 APPLICATION SPEC: 114-18467 WEIGHT: - Customer Drawing
		SIZE: A1	CAGE CODE: 00779 DRAWING NO: 1534798 SCALE: 5:1 SHEET: 1 OF 4 REV: 075

THIS DRAWING IS UNPUBLISHED. RELEASED FOR PUBLICATION 2001
COPYRIGHT 2001. ALL RIGHTS RESERVED.

LOC	DIST	REVIS	DATE	APPV
A1				
		SEE SHEET 1		

GWEPT 750°C NO FLAME & UL94-V2, TIN PLATED VERSION																			
20	19	18	17	16	15	14	13	12	11	10	9	8	7	6	5	4	3	2	1
BLUE						X	0	X	X	X	X	X	X	X	X	X	X	X	13
									X	X	X	0	X	0	X	0	X	0	11
BLUE									X	0	X	X	0	X	0	X	0	X	10
																			7
GREEN									X	X	X	0	X	0	X				7
																			6
																			6
RED										X	0	X	X	0	X				6
																			6
																			6
																			6
																			6
																			6
																			6
																			6
																			6

2	SEE TABLE	CONTACT/Kontakt	CuSn	TINNED/verzinkt
1	siehe Tabelle	HOUSING/Federleistengh.	HIGH TEMP PLASTIC	NATUR/Natur
POS.	PN Bestell-Nr.	DESCRIPTION Beschreibung	MATERIAL	COLOUR/FINISH Farbe/Oberflaeche

THIS DRAWING IS A CONTROLLED DOCUMENT. DIMENSIONS: mm. TOLERANCES UNLESS OTHERWISE SPECIFIED: 0 PLC ±0.2, 1 PLC ±0.2, 2 PLC ±0.2, 3 PLC ±0.2, 4 PLC ±0.2, ANGLES FINISH ±1°.

Customer Drawing

SCALE 5:1 SHEET 3 OF 4

APV: H. Karabiyik, B. Schnaubelt, T. Klenner

DATE: 24MAY2002

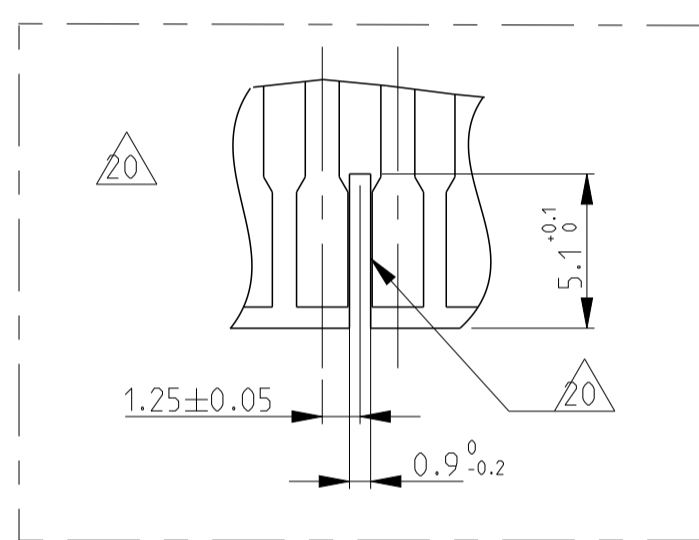
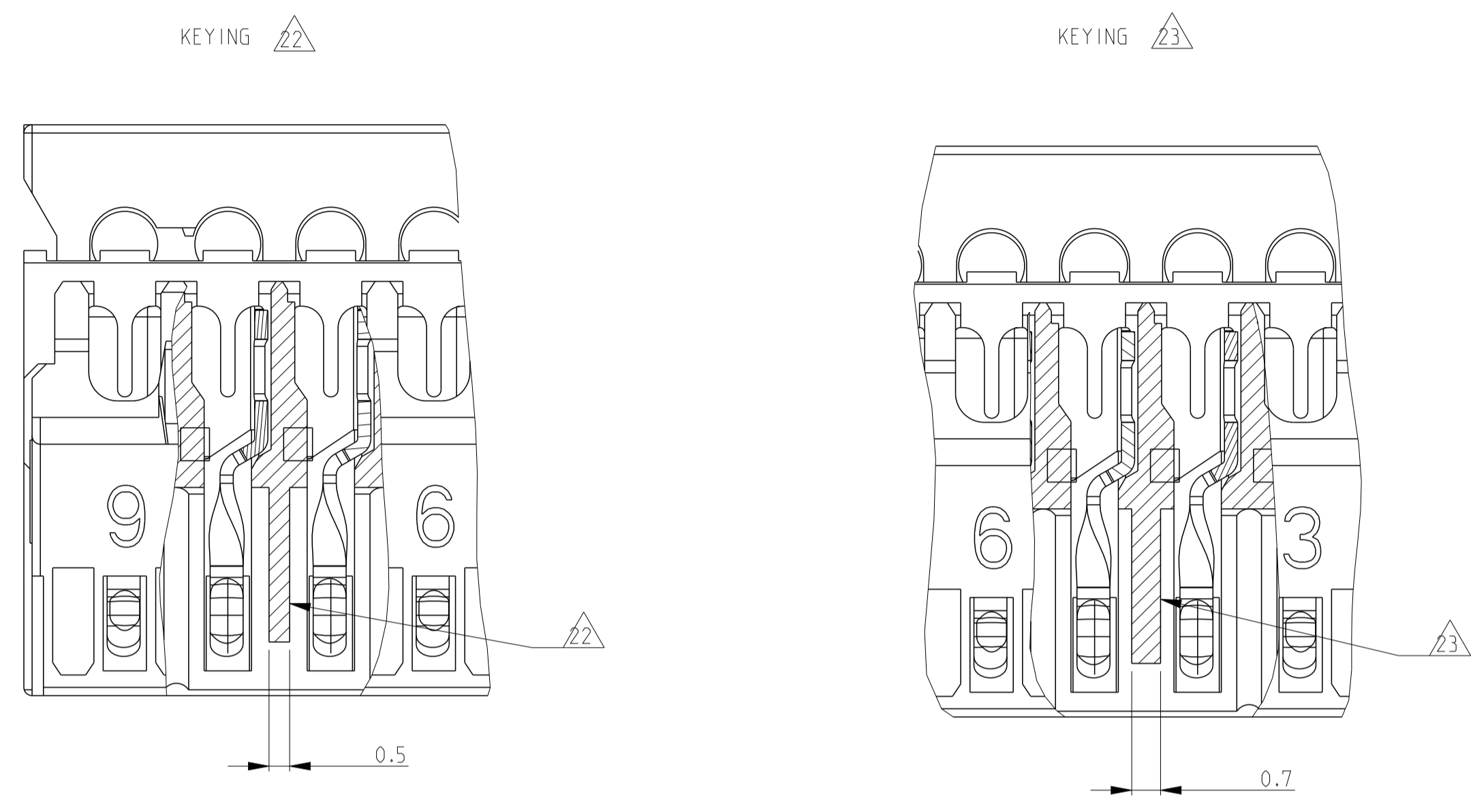
NAME: AMP DUOPLUG 2.5 MARK II FEMALE CONNECTOR 3-20 POSITION SELECTIVE LOADED

SIZE: A1 CAGE CODE 00779 DRAWING NO. 1534798

RESTRICTED TO

4805 (3/11)

REV. NO.	DATE	BY	CHK	APPV	DESCRIPTION
1					
2					
3					
4					



- 23 KEYING, SPECIAL THICK. BETWEEN POSITION. THICKNESS 0.7mm
- 22 KEYING, SPECIAL THIN. BETWEEN POSITION. THICKNESS 0.5mm
- 21 SLOT FOR KEYING SPECIAL. BETWEEN POSITION
- 20 RECOMMENDED PCB CUTOFF DIMENSION FOR THE PN X-2304527-Y AND X-2304528-Y

GWEPT 750°C NO FLAME & UL94-VO, SILVER PLATED VERSION																												
Blue															X	0	X	3	5	9.9							5-2369989-3	4-2369989-3
Color Code	20	19	18	17	16	15	14	13	12	11	10	9	8	7	6	5	4	3	2	1	POS. Polzahl	DIM A	DIM B	KEYING	KEYING	KEYING	KEYING	PN Bestell-Nr.
KAMMERBESTUECKUNG (CAVITIES LOADED)															SEE TABLE siehe Tabelle										CONTACT/Kontakt	CuSn	SILVERED	
KAMMERBESTUECKUNG (CAVITIES LOADED)															HOUSING/Federleistengeh.										HOUSING/Federleistengeh.	HIGH TEMP PLASTIC	NATUR/Natur	
KAMMERBESTUECKUNG (CAVITIES LOADED)															DESCRIPTION Beschreibung										DESCRIPTION Beschreibung	MATERIAL	COLOUR/FINISH Farbe/Oberflaeche	

PA GF, GWEPT 750°C NO FLAME & UL94-VO, TIN PLATED VERSION																																						
Blue															X	0	X	0	X	0	X	0	X	0	X	0	X	13	30	34.9							1-2304528-3	2304528-3
															X	0	X	0	X	0	X	0	X	0	X	0	X	12	27.5	32.4							2304528-2	2304528-1
Orange															X	0	X	0	X	0	X	0	X	0	X	0	X	11	25	29.9							3-2304528-1	2-2304528-1
Green															X	0	X	0	X	0	X	0	X	0	X	0	X										1-2304528-1	2304528-1
															X	0	X	0	X	0	X	0	X	0	X	0	X	10	22.5	27.4							2-2304528-0	1-2304528-0
GREEN															X	0	X	0	X	0	X	0	X	0	X	0	X	9	20	24.9							4-2304527-9	3-2304527-9
															X	0	X	0	X	0	X	0	X	0	X	0	X										2-2304527-9	1-2304527-9
Black															X	X	0	X	0	X	0	X	0	X	0	X										2304527-9	2304527-9	
Blue															X	X	X	X	X	X	X	X	X	X	X	X	X										6-2304527-7	4-2304527-7
Green															X	0	X	0	X	0	X	0	X	0	X	0	X										4-2304527-7	3-2304527-7
															X	X	X	X	X	X	X	X	X	X	X	X	X	7	15	19.9							2-2304527-7	1-2304527-7
Black															X	0	X	0	X	0	X	0	X	0	X	0	X										2304527-7	2304527-7
Green															X	0	X	0	X	0	X	0	X	0	X	0	X										7-2304527-6	6-2304527-6
Red															X	X	0	X	0	X	0	X	0	X	0	X										5-2304527-6	4-2304527-6	
Black															X	X	0	X	0	X	0	X	0	X	0	X										4-2304527-6	3-2304527-6	
Green															X	X	0	X	0	X	0	X	0	X	0	X										2-2304527-6	1-2304527-6	
Blue															X	0	X	0	X	0	X	0	X	0	X	0	X										2304527-6	2304527-6
Red															X	0	X	0	X	0	X	0	X	0	X	0	X										7-2304527-5	6-2304527-5
Green															X	0	X	0	X	0	X	0	X	0	X	0	X										4-2304527-5	3-2304527-5
Orange															X	0	X	0	X	0	X	0	X	0	X	0	X										3-2304527-5	2-2304527-5
Red															X	0	0	0	0	0	0	0	0	0	0	0	0										1-2304527-5	2304527-5
Red															X	0	0	0	0	0	0	0	0	0	0	0	0										2304527-5	2304527-5
Green															X	0	X	0	X	0	X	0	X	0	X	0	X										7-2304527-5	6-2304527-5
Black															X	X	0	0	X	0	X	0	X	0	X	0	X										4-2304527-5	3-2304527-5
Green															X	0	X	0	X	0	X	0	X	0	X	0	X										3-2304527-5	2-2304527-5
Orange															X	0	X	0	X	0	X	0	X	0	X	0	X										1-2304527-5	2304527-5
Red															X	0	0	0	0	0	0	0	0	0	0	0	0										2304527-5	2304527-5
Blue															X	0	X	0	X	0	X	0	X	0	X	0	X										7-2304527-4	6-2304527-4
Red															X	0	X	0	X	0	X	0	X	0	X	0	X										9-2304527-3	8-2304527-3
Red															X	0	X	0	X	0	X	0	X	0	X	0	X										7-2304527-3	6-2304527-3
Blue															X	0	X	0	X	0	X	0	X	0	X	0	X										5-2304527-3	4-2304527-3
Black															X	0	X	0	X	0	X	0	X	0	X	0	X										4-2304527-3	3-2304527-3
Red															X	0	X	0	X	0	X	0	X	0	X	0	X										2-2304527-3	1-2304527-3
Brown															X	0	X	0	X	0	X	0	X	0	X	0	X										2304527-3	2304527-3
Orange															X	0	X	0	X	0	X	0	X	0	X	0	X										2304527-3	2304527-3
Color Code	20	19	18	17	16	15	14	13	12	11	10	9	8	7	6	5	4	3	2	1	POS. Polzahl	DIM A	DIM B	KEYING	KEYING	KEYING	KEYING	PN Bestell-Nr.										
KAMMERBESTUECKUNG (CAVITIES LOADED)															SEE TABLE siehe Tabelle										CONTACT/Kontakt	CuSn	TINNED/verzinkt											
KAMMERBESTUECKUNG (CAVITIES LOADED)															HOUSING/Federleistengeh.										HOUSING/Federleistengeh.	HIGH TEMP PLASTIC	NATUR/Natur											
KAMMERBESTUECKUNG (CAVITIES LOADED)															DESCRIPTION Beschreibung										DESCRIPTION Beschreibung	MATERIAL	COLOUR/FINISH Farbe/Oberflaeche											

THIS DRAWING IS A CONTROLLED DOCUMENT. DIMENSIONS: mm. TOLERANCES UNLESS OTHERWISE SPECIFIED: 0 PLC ±0.2, 1 PLC ±0.2, 2 PLC ±0.2, 3 PLC ±, 4 PLC ±, ANGLES ±°. MATERIAL: -. FINISH: -. WEIGHT: -. Customer Drawing.

OWN: H. Karabiyik, 24MAY2002. CHK: B. Schnaubelt, 24MAY2002. APPV: T. Klenner, 24MAY2002. PRODUCT SPEC: 108-18785. APPLICATION SPEC: 114-18467. SCALE: 10:1. SHEET 3 OF 3. REV: U75.

STE TE Connectivity
 AMP DUOPLUG 2.5 MARK II FEMALE CONNECTOR 3-20 POSITION SELECTIVE LOADED
 SIZE: A1. CAGE CODE: 00779. DRAWING NO: 1534798.