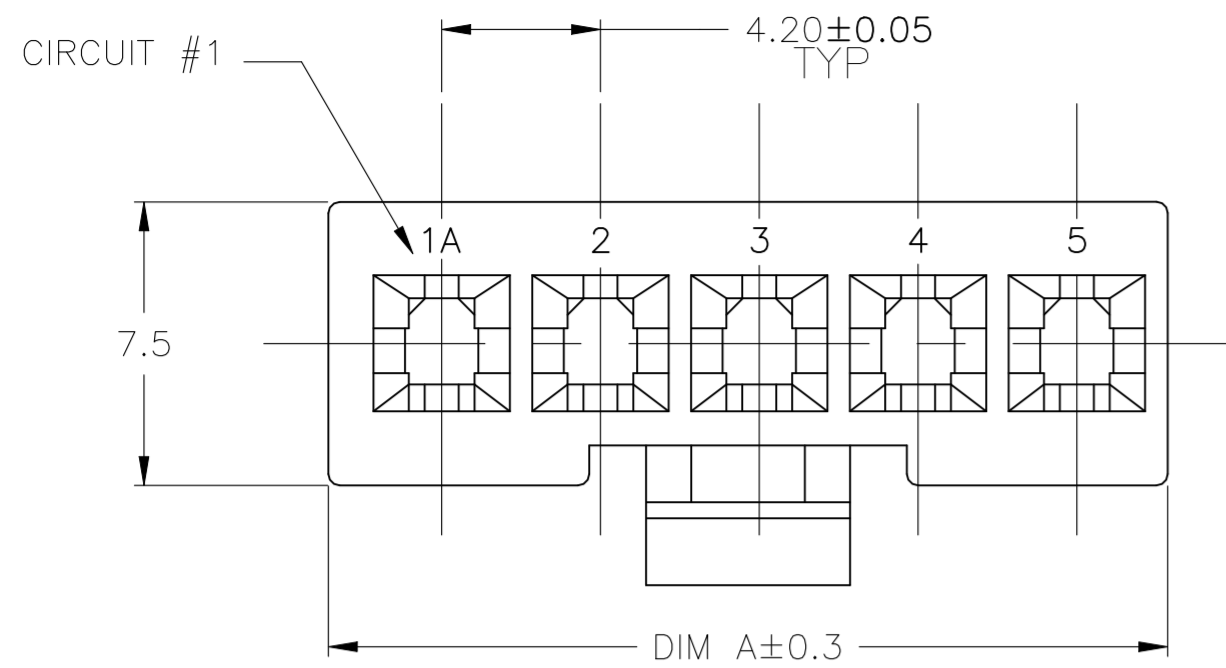
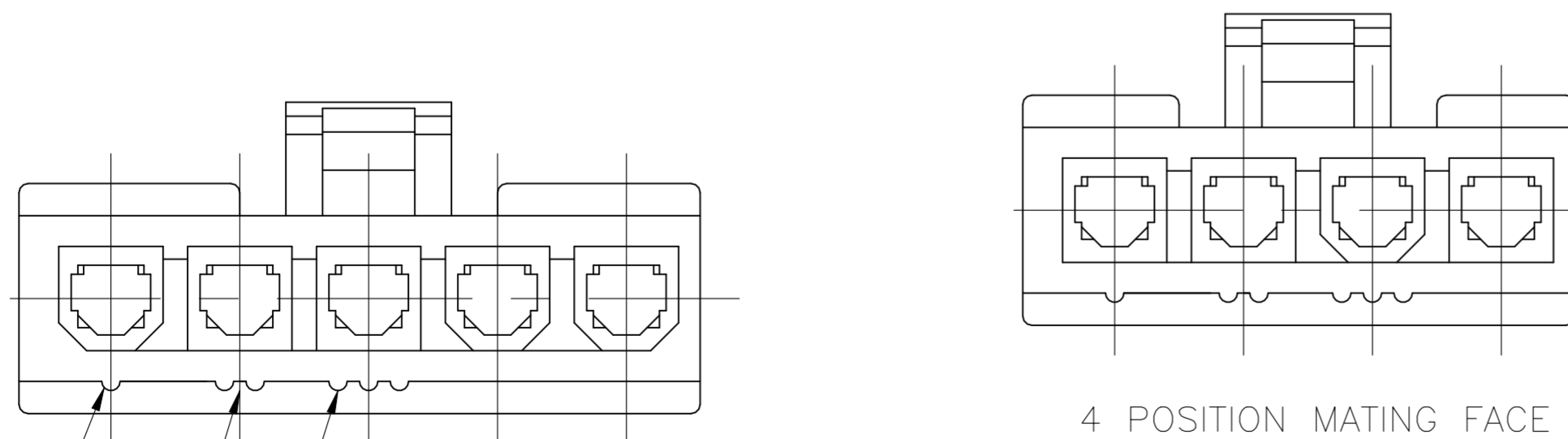
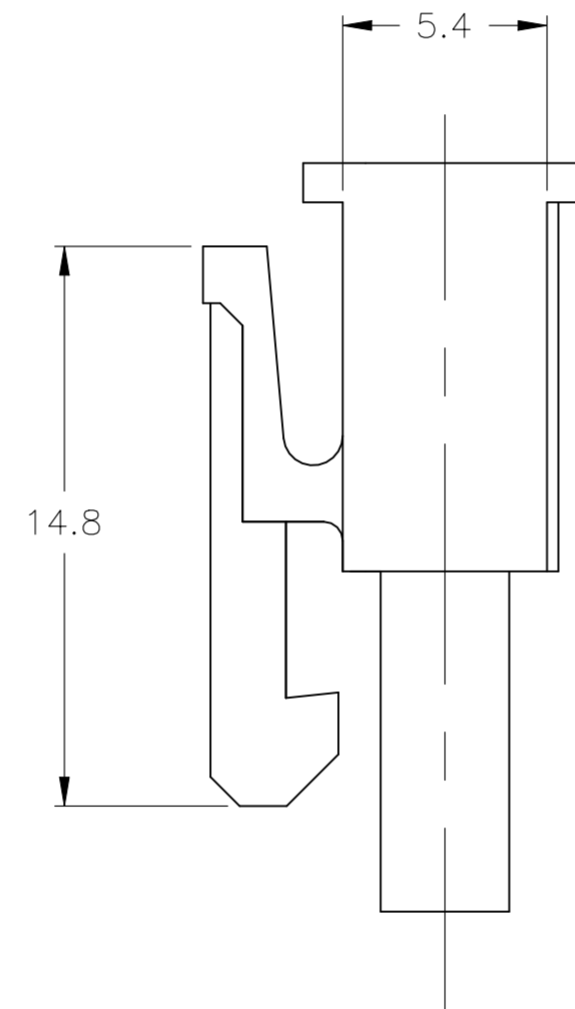
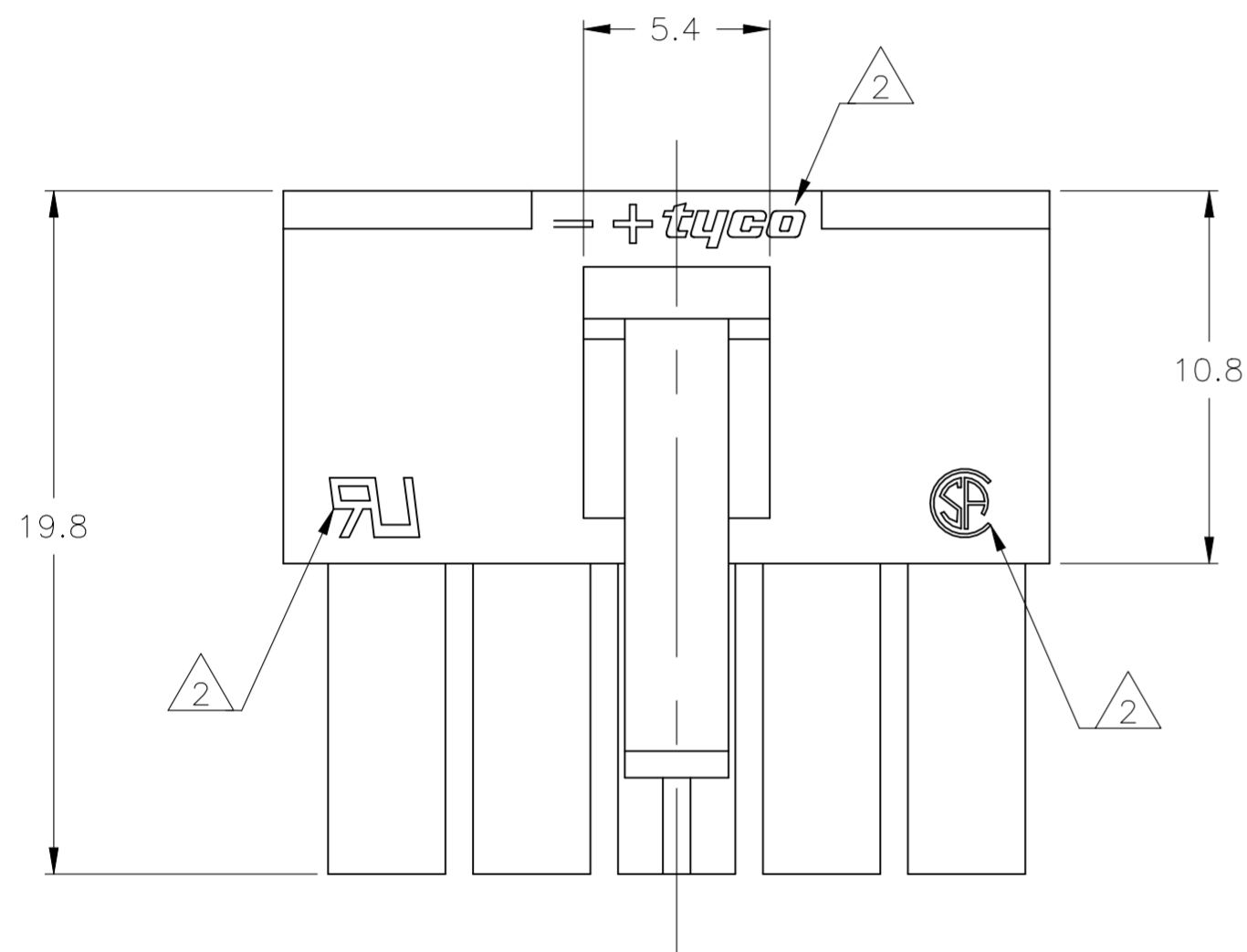


REVISIONS					
P	LTR	DESCRIPTION	DATE	DWN	APVD
F		REVISED PER ECR-23-163258	15NOV2023	P.C	D.Z



- 1 MATERIAL : THERMOPLASTIC NYLON66UL94V-0.
- 2 TE LOGO, UL LOGO, AND CSA LOGO-SIZE, LOCATION, AND ORIENTATION OPTIONAL.
- 3 THIS HOUSING ACCEPTS TERMINAL: 794956-1 AND OTHER SIMILAR TERMINALS
- 4 RECOMMENDED MATING PART: []-1586023-[]



4 POSITION MATING FACE
(FOR POLARIZATION IDENTIFICATION)

1ST CIRCUIT
2ND CIRCUIT
3RD CIRCUIT

SUPERCEDED BY 2029208-4	BLACK	18.0	4	1-1586027-9
	WHITE	22.2	5	1586027-5
	WHITE	18.0	4	1586027-4
	COLOR	DIM A	POS	PART NUMBER

THIS DRAWING IS A CONTROLLED DOCUMENT.		DWN K.WHITAKER 09DEC03																		
DIMENSIONS: mm		CHK D. COLEY 09DEC03																		
TOLERANCES UNLESS OTHERWISE SPECIFIED:		APVD D. COLEY 09DEC03																		
<table border="1"> <tr> <td>0 PLC</td> <td>±</td> <td>-</td> </tr> <tr> <td>1 PLC</td> <td>±</td> <td>0.2</td> </tr> <tr> <td>2 PLC</td> <td>±</td> <td>-</td> </tr> <tr> <td>3 PLC</td> <td>±</td> <td>-</td> </tr> <tr> <td>4 PLC</td> <td>±</td> <td>-</td> </tr> <tr> <td>ANGLES</td> <td>±</td> <td>-</td> </tr> </table>		0 PLC				±	-	1 PLC	±	0.2	2 PLC	±	-	3 PLC	±	-	4 PLC	±	-	ANGLES
0 PLC	±	-																		
1 PLC	±	0.2																		
2 PLC	±	-																		
3 PLC	±	-																		
4 PLC	±	-																		
ANGLES	±	-																		
MATERIAL 1		FINISH -	PRODUCT SPEC 108-2112	RECEPTACLE, SINGLE ROW, VAL-U-LOK(TM)																
		WEIGHT -	APPLICATION SPEC 114-13172	SIZE A2	RESTRICTED TO -															
		CUSTOMER DRAWING	WEIGHT -	CAGE CODE 00779	DRAWING NO C=1586027															
			SCALE 5:1	SHEET 1 of 1	REV F															