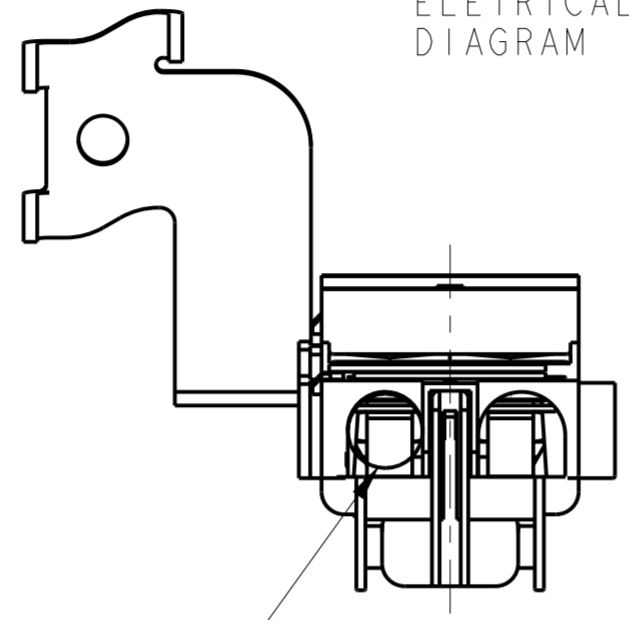
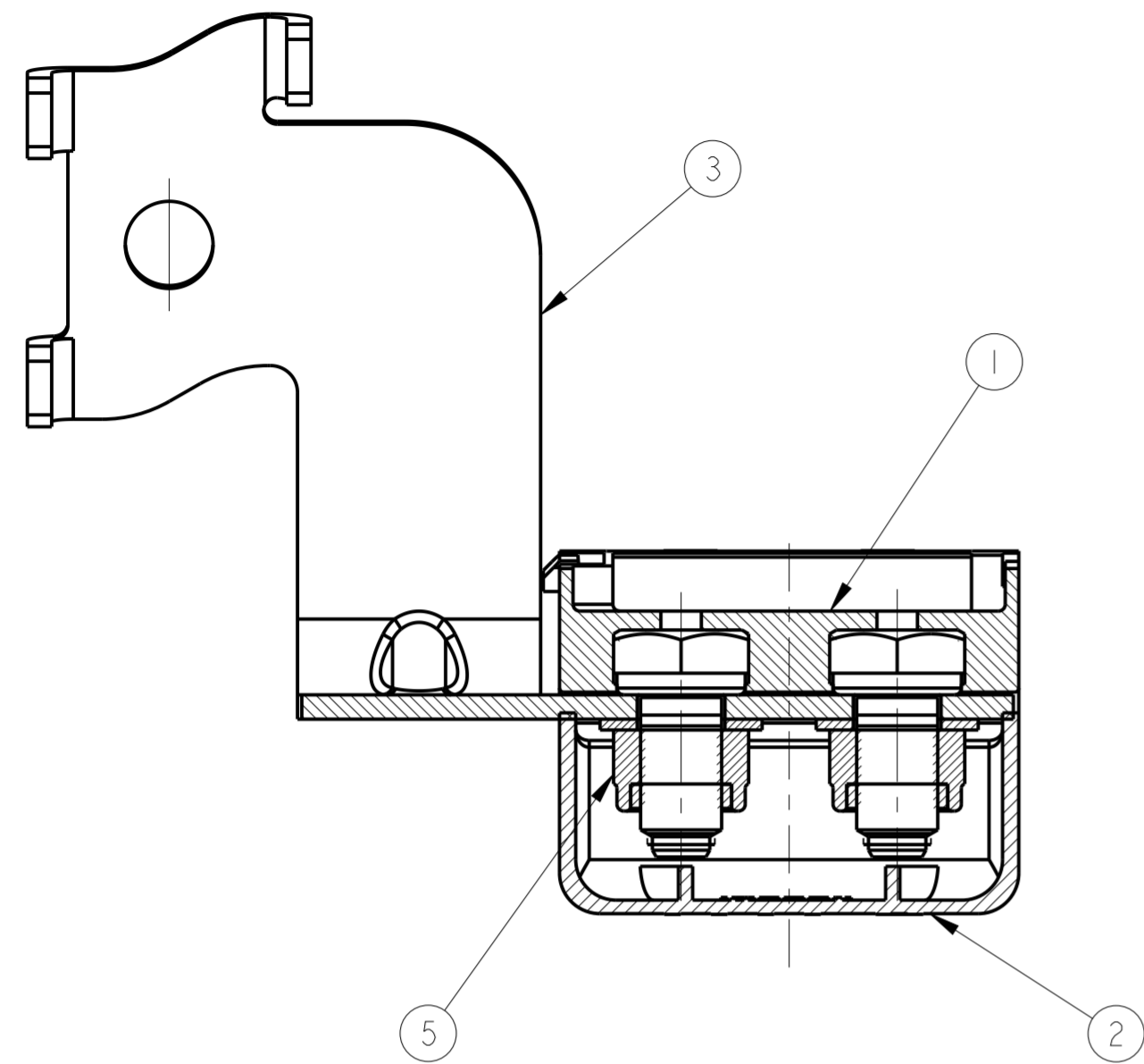
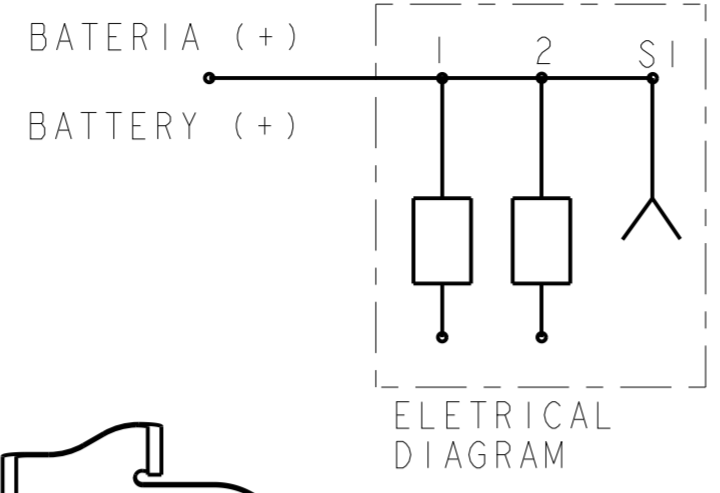


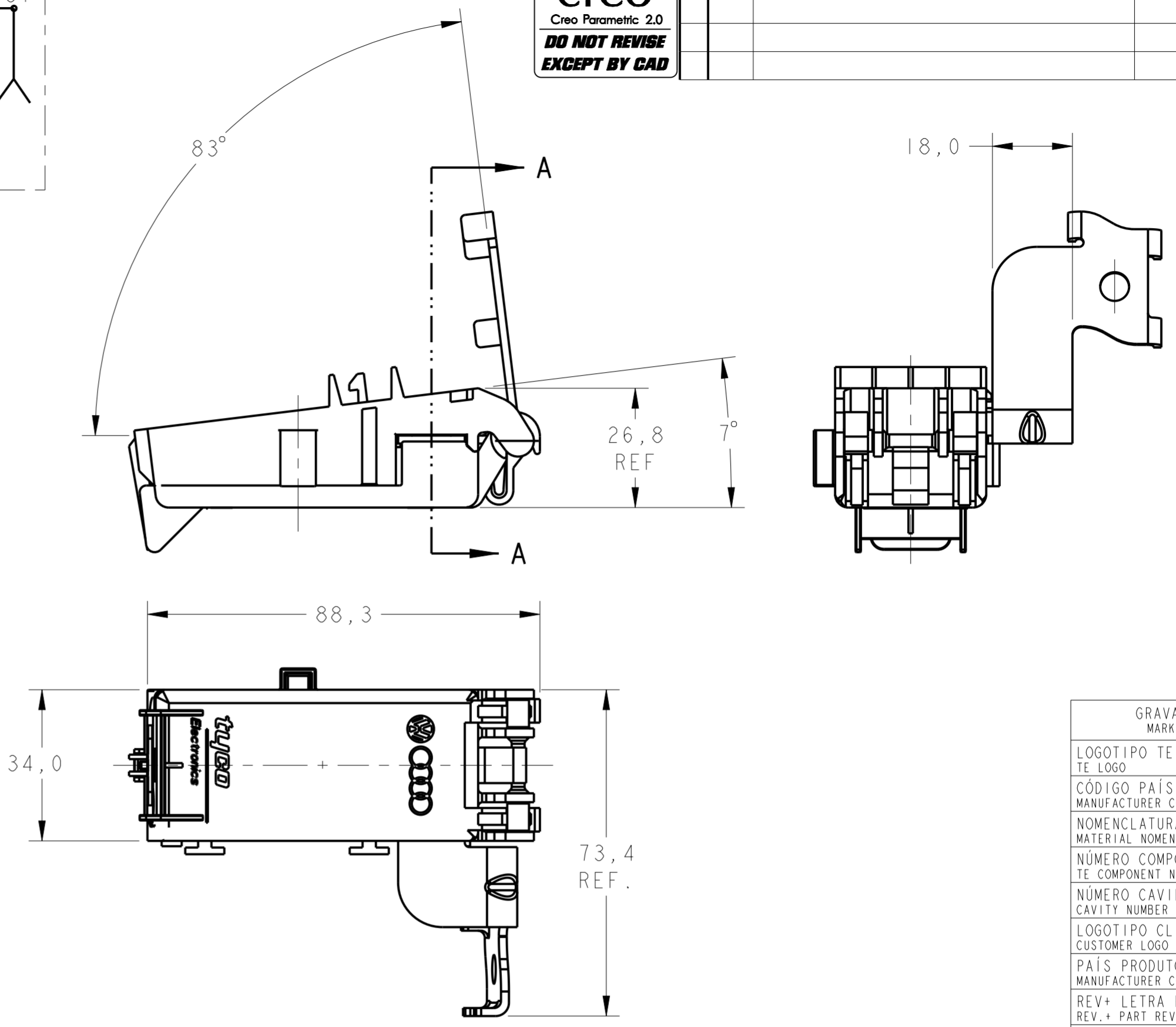
THIS DRAWING IS UNPUBLISHED. RELEASED FOR PUBLICATION 20
 (C) COPYRIGHT 20 ALL RIGHTS RESERVED.

| LOC | | DIST | | REVISIONS | | | |
|-----|-----|---------------|-----------|-----------|------|--|--|
| P | LTR | DESCRIPTION | DATE | DWN | APVD | | |
| AP | - | | | | | | |
| A | | RSA-14-086-01 | 24JUL2014 | NCL | NMS | | |

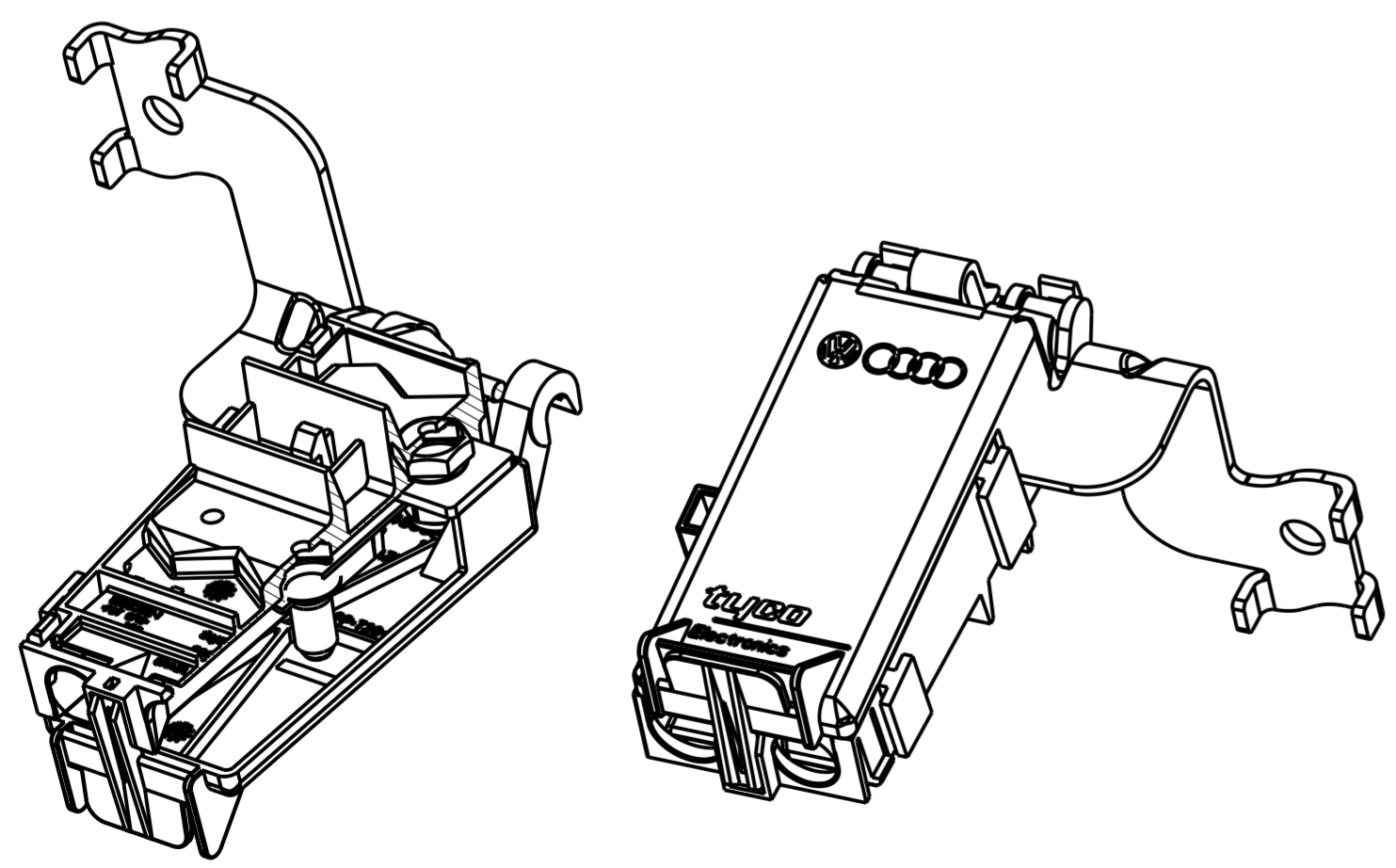
creo
 Creo Parametric 2.0
DO NOT REVISE
EXCEPT BY CAD



Ø 9.90 ± 0,10
 2PLC
 DIÂMETRO MÁX. DO
 ISOLANTE DO CABO
 MAX. INSULATION
 CABLE DIAM.



| GRAVAÇÕES |
|---------------------------|
| MARKINGS |
| LOGOTIPO TE |
| TE LOGO |
| CÓDIGO PAÍS PRODUTOR |
| MANUFACTURER COUNTRY CODE |
| NOMENCLATURA MATERIAL |
| MATERIAL NOMENCLATURE |
| NÚMERO COMPONENTE TE |
| TE COMPONENT NUMBER |
| NÚMERO CAVIDADE |
| CAVITY NUMBER |
| LOGOTIPO CLIENTE |
| CUSTOMER LOGO |
| PAÍS PRODUTOR |
| MANUFACTURER COUNTRY |
| REV+ LETRA REV.DA PEÇA |
| REV.+ PART REV.LETTER |
| DATADOR |
| DATE CODE |



| REQ. PER ASSY | ITEM | DESCRIÇÃO | MATERIAL | ACABAMENTO |
|---------------|---------|---------------------------------|---------------------------|-------------------------|
| | 1 - 7 | FUSÍVEL / FUSE 60A | ZINC ALLOY | --- |
| | 1 - 6 | FUSÍVEL / FUSE 30A | ZINC ALLOY | --- |
| | 2 2 - 5 | PORCA / NUT M6, SELF LOCKING | AÇO / STEEL ISO 4032-M6-8 | Zn/Ni INCOLOR/COLORLESS |
| | - 2 - 4 | FUSÍVEL / FUSE 110A | ZINC ALLOY | ESTANHADO / TIN PLATED |
| | 1 1 - 3 | BARRAMENTO / BUSBAR 2 POSITIONS | LATÃO / BRASS | ESTANHADO / TIN PLATED |
| | 1 1 - 2 | MAXI FUSE BOX COVER | PP+T20 | PRETO / BLACK |
| | 1 1 - 1 | HOUSING, 2 POSN. | --- | --- |

THIS DRAWING IS A CONTROLLED DOCUMENT.

DWN: NCLAPRESA 24JUL2014
 CHK: ECHRISTIANO 24JUL2014
 APVD: NMSANTOS 24JUL2014

STE TE Connectivity

NAME: HOUSING ASSY., 2 POSITION

SIZE: A2 CAGE CODE: 00779 DRAWING NO: 1599284 RESTRICTED TO: -

MATERIAL: SEE TABLE TOLERANCES UNLESS OTHERWISE SPECIFIED: SEE TABLE

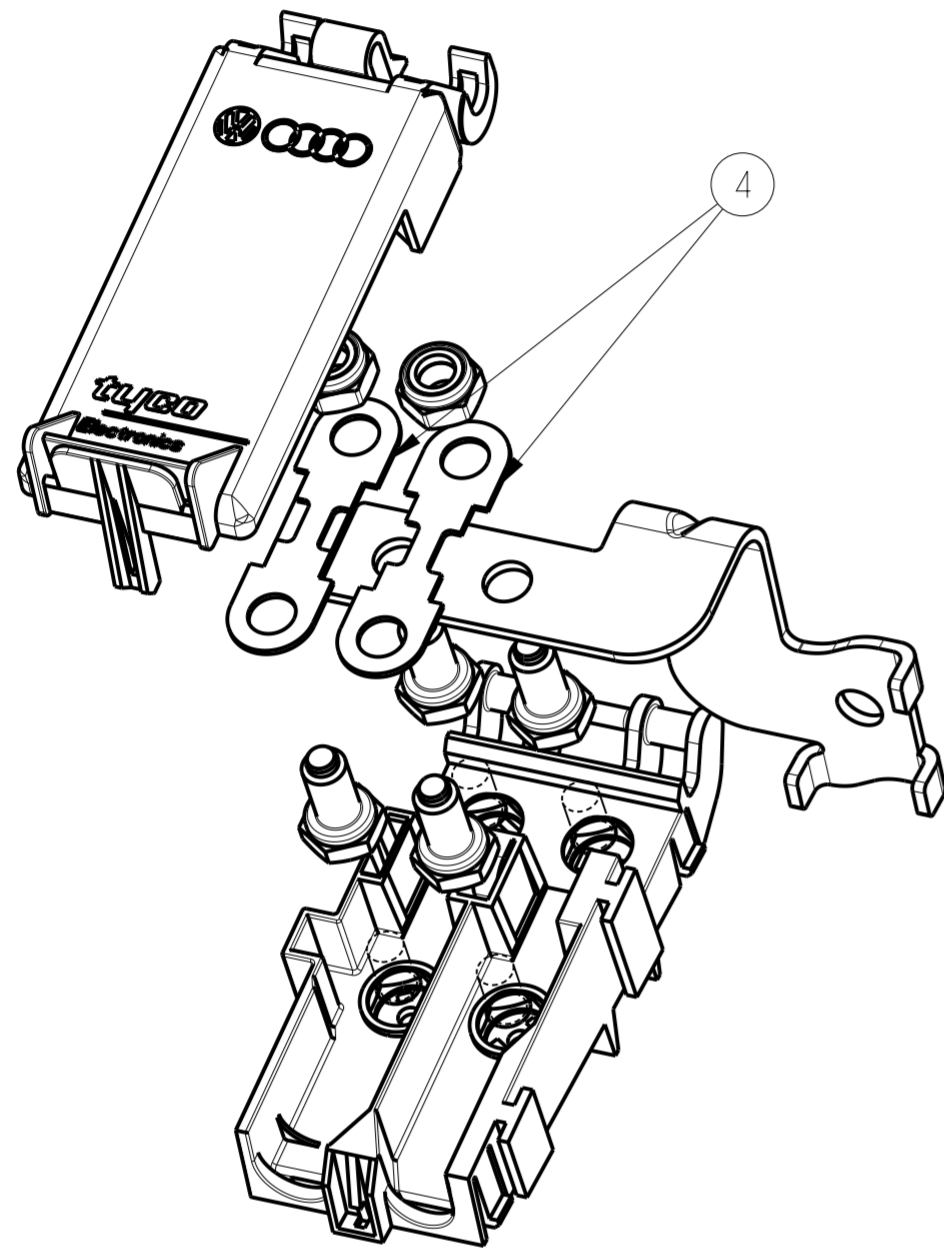
Customer Drawing SCALE: 1:1 SHEET 1 OF 2 REV A

THIS DRAWING IS UNPUBLISHED. RELEASED FOR PUBLICATION 20
 © COPYRIGHT 20 BY - ALL RIGHTS RESERVED.

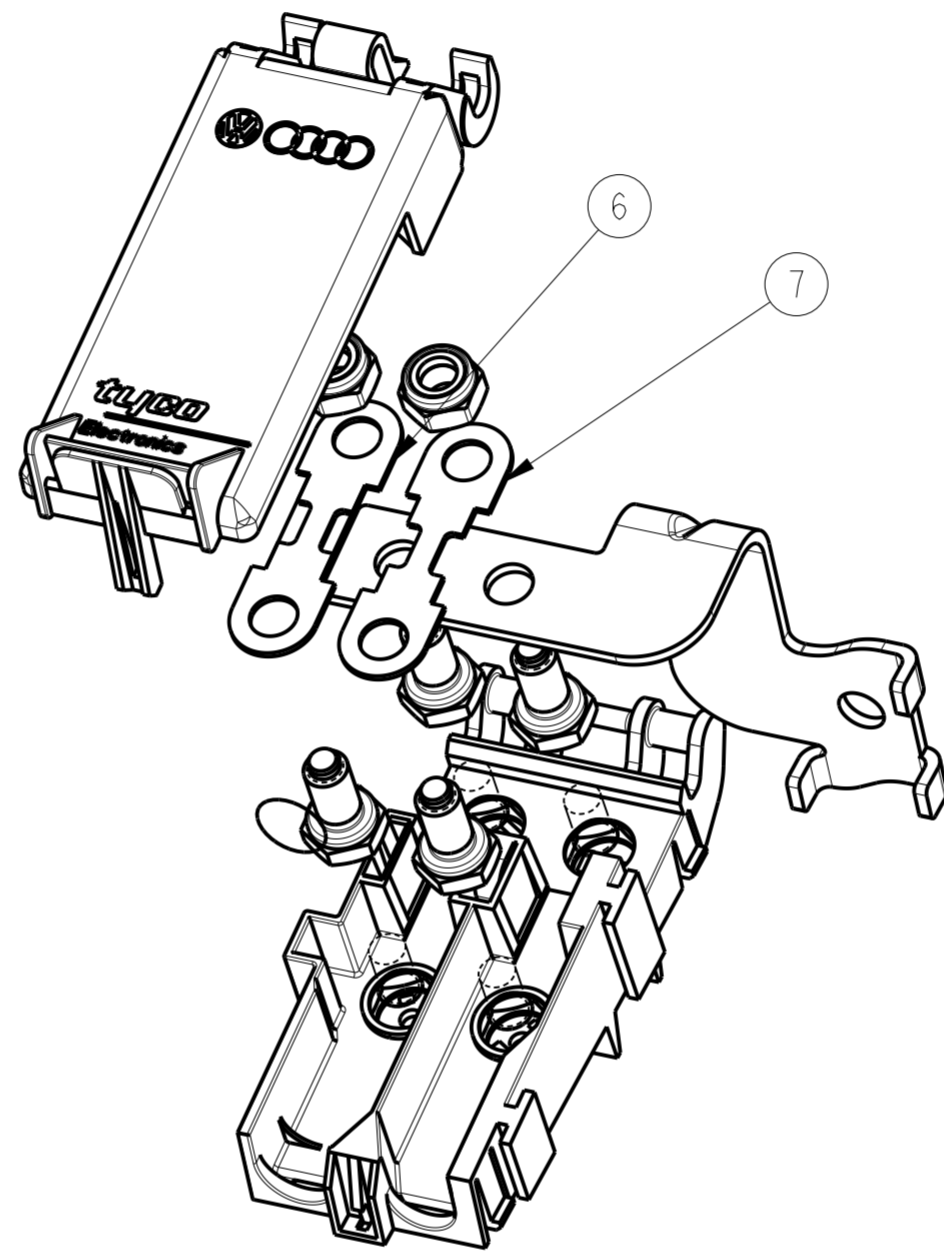
LOC AP DIST -

| REVISIONS | | | | | |
|-----------|-----|-------------|------|-----|------|
| P | LTR | DESCRIPTION | DATE | DWN | APVD |
| - | | SEE SHEET 1 | - | - | - |
| | | | | | |
| | | | | | |

creo
 Creo Parametric 2.0
DO NOT REVISE
EXCEPT BY CAD



EXPLODED VIEW
1599284-1



EXPLODED VIEW
1599284-2

| | | | | | |
|---|--|--|--|----------------|-------------------------|
| THIS DRAWING IS A CONTROLLED DOCUMENT. | | DWN NCLAPRESA 24 JUL 2014 | STE TE Connectivity | | |
| DIMENSIONS: mm | | CHK JRGOLDSCHMIDT 24 JUL 2014 | | | |
| TOLERANCES UNLESS OTHERWISE SPECIFIED | | APVD NMSANTOS 24 JUL 2014 | NAME - HOUSING ASSY., 2 POSITION | | |
| 0 PLC ± 1 PLC ± 2 PLC ± 3 PLC ± 4 PLC ± ANGLES ± FINISH | | PRODUCT SPEC - APPLICATION SPEC - | SIZE A2 | CAGE CODE - | DRAWING NO C-1599284 |
| MATERIAL SEE TABLE | | WEIGHT - | RESTRICTED TO - | | |
| | | Customer Drawing | SCALE 1:1 | SHEET 2 | OF 2 |
| | | | | REV A | |