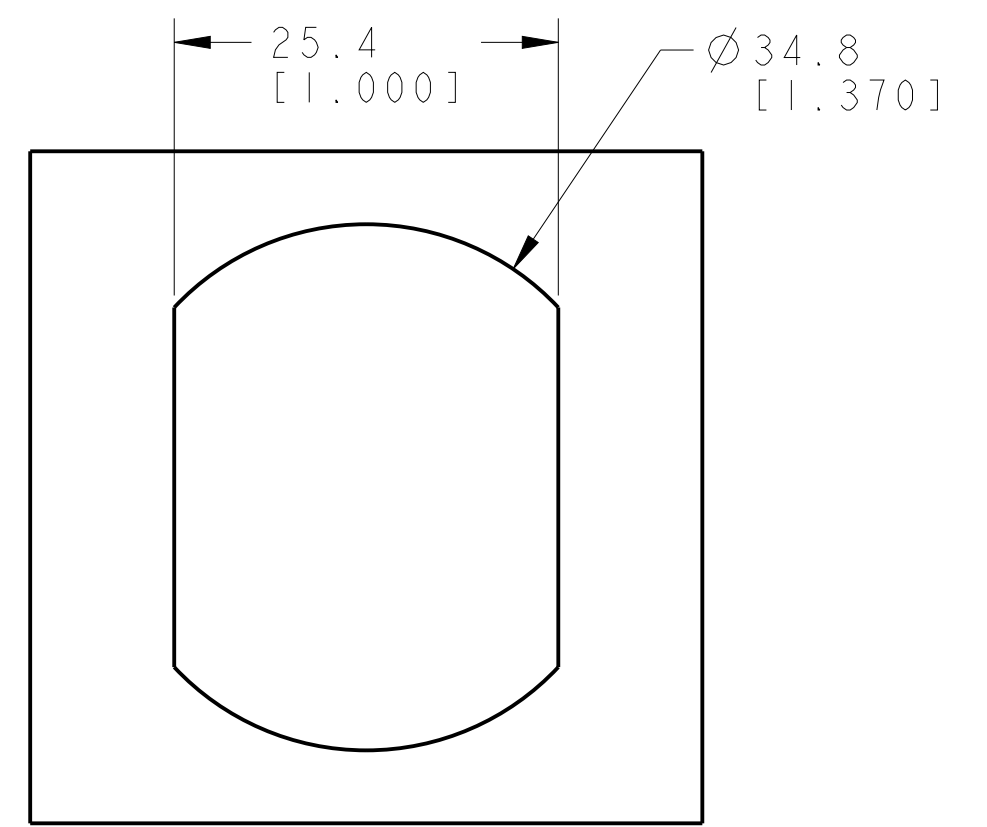
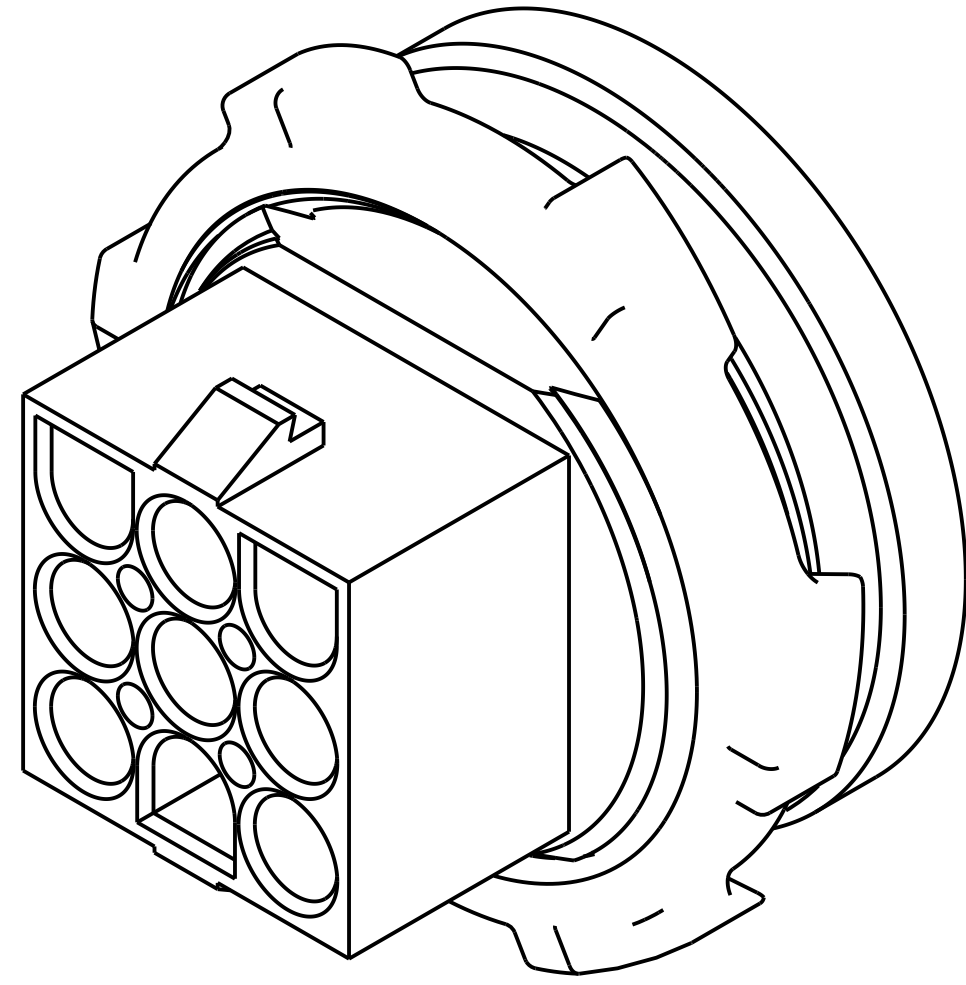
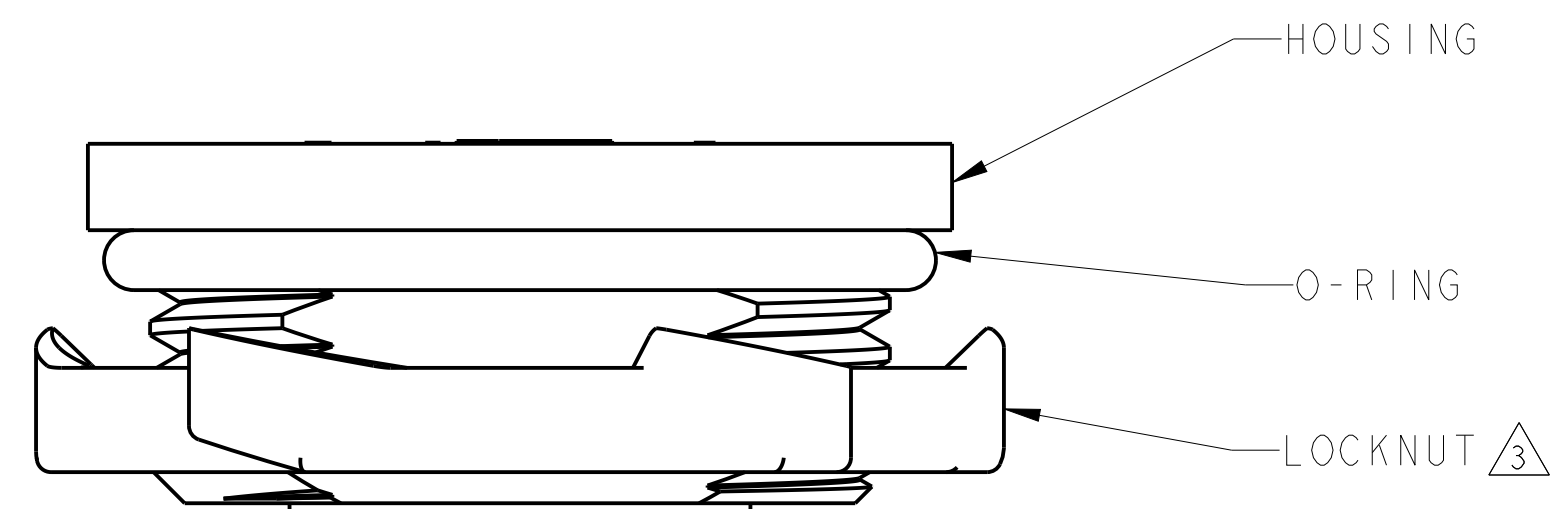
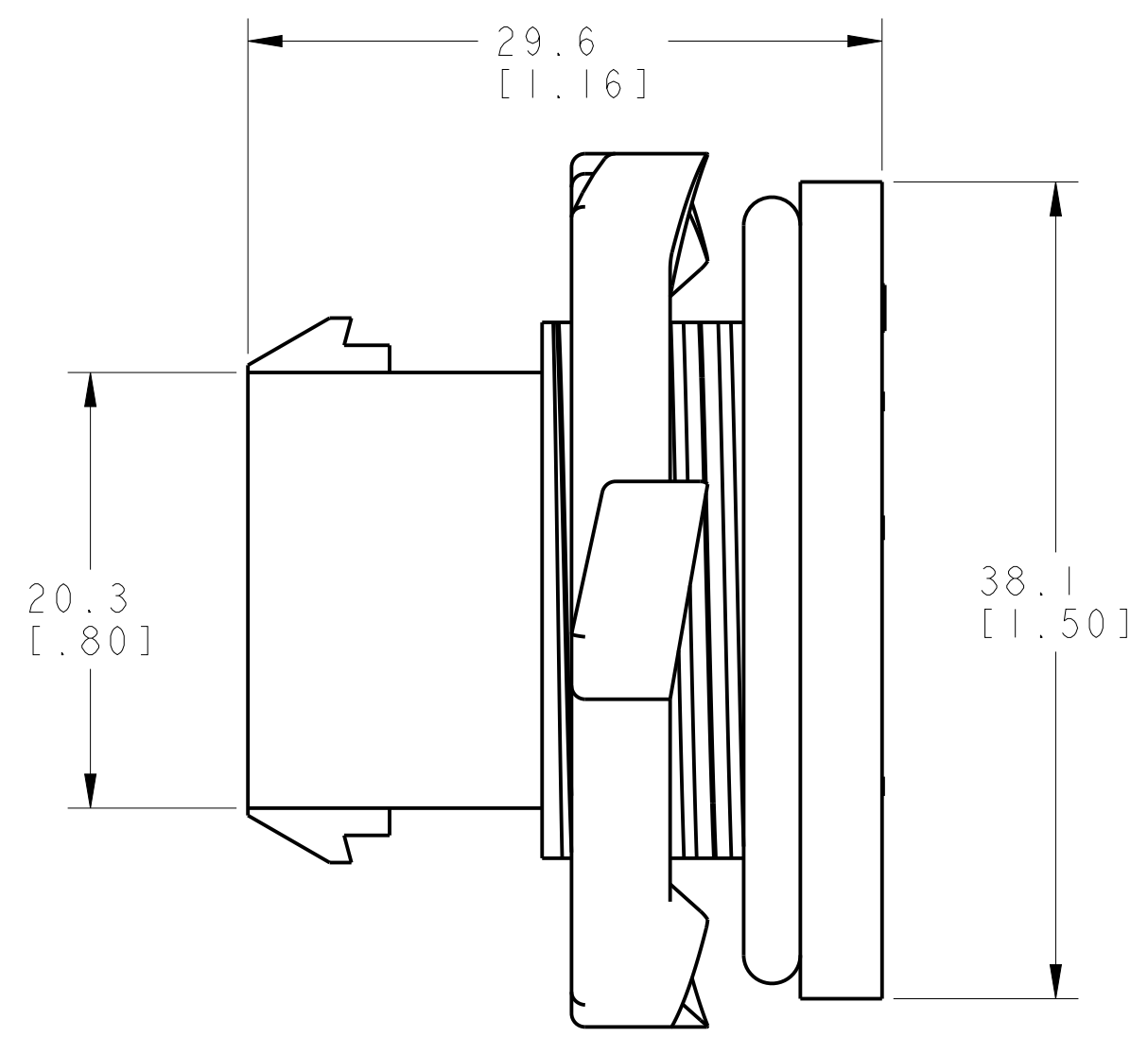
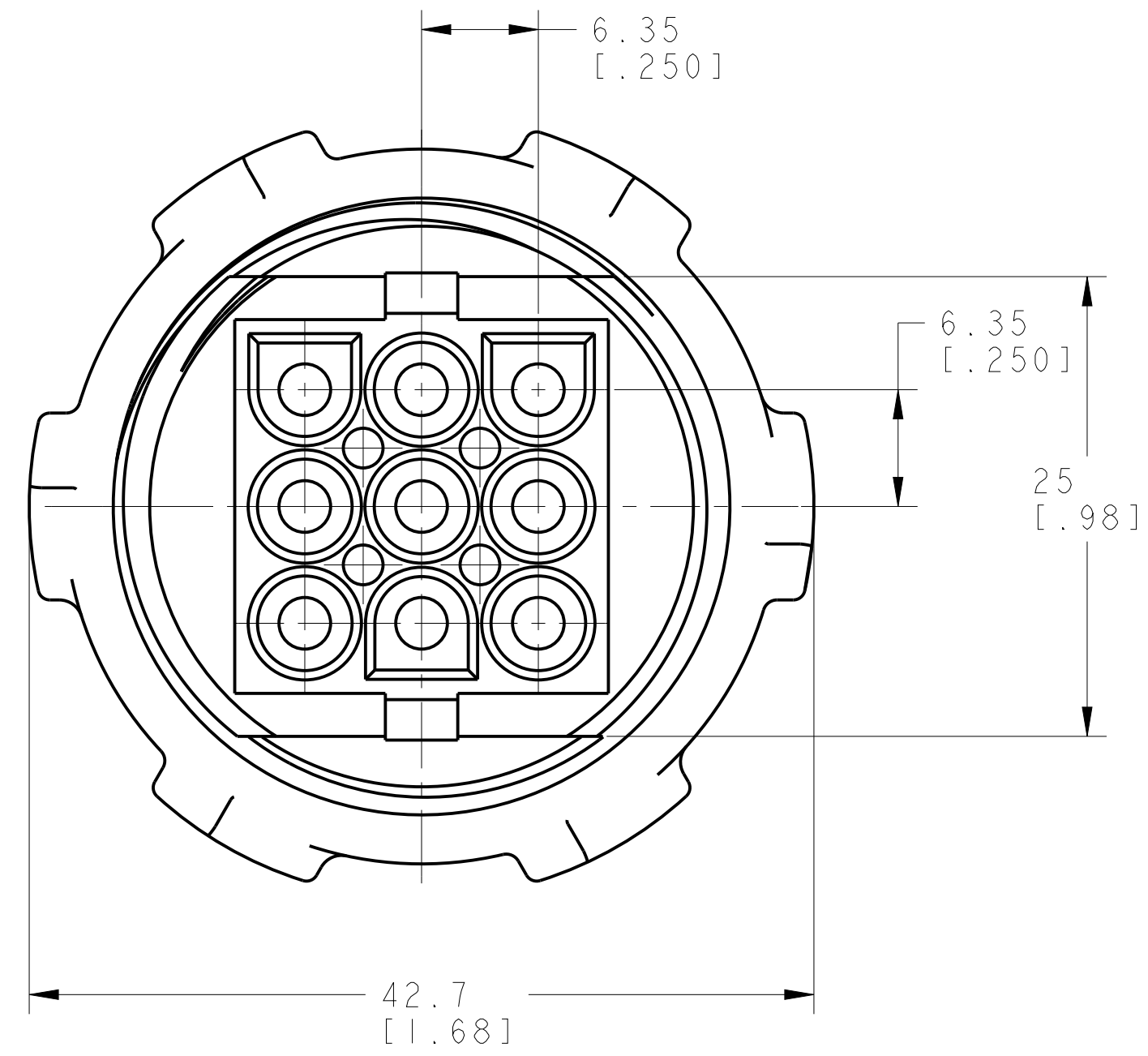
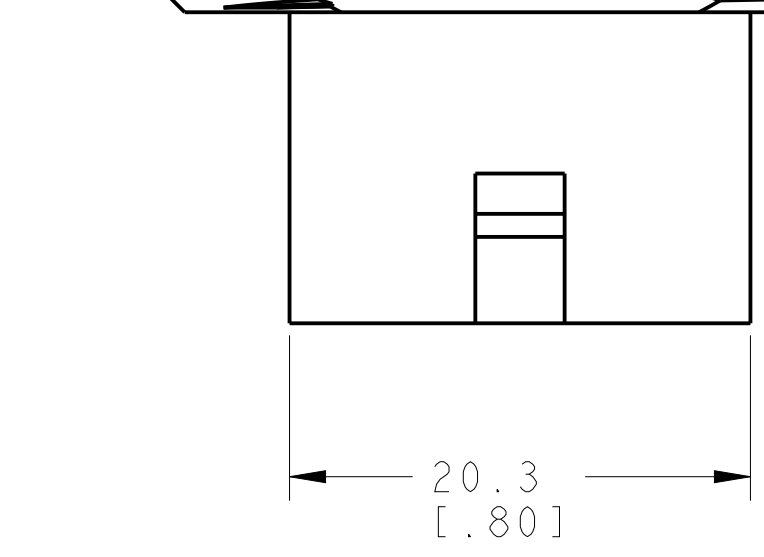


THIS DRAWING IS UNPUBLISHED. RELEASED FOR PUBLICATION 20
 © COPYRIGHT 20 BY - ALL RIGHTS RESERVED.

REVISIONS				
P	LTR	DESCRIPTION	DATE	APVD
A1		REVISED PER ECR-17-015449	25OCT2017	BDA KR
A2		REVISED PER ECO-20-008510	17JUN2020	WLS DZ
A3		REVISED PER ECN-20-100768	03DEC2020	WLS VS
B		REVISED PER ECN-21-103649	10MAY2021	WLS VS



RECOMMENDED
 PANEL CUT-OUT
 SCALE 2:1



- ① LOCKNUT : METAL
 HOUSING : NYLON, FLAME RETARDANT, UL94-V0
 O-RING : NEOPRENE BLACK (-1) OR
 SILICONE RUBBER RED (1- -1)
- ② LOCKNUT : PLATED
- ③ LOCKNUT, SIX(6) OR EIGHT(8) SYMETRICAL
 PLACED GRIP POINTS PERMISSIBLE.
- 4 DIMENSIONS SHOWN REPRESENT PRODUCT IN
 DRY, AS MOLDED, CONDITION. ADDITIONAL
 2% GROWTH DUE TO SUBSEQUENT MOISTURE
 ABSORPTION MAY OCCUR AND SHOULD BE
 ACCOUNTED FOR.
- ⑤ ROHS COMPLIANT.

⑤ 1-1604254-1
 OBSOLETE ~~1604254-1~~
 PART NO

THIS DRAWING IS A CONTROLLED DOCUMENT.		DWN J.C. YOSLER 22APR2002	TE Connectivity	
DIMENSIONS: mm [INCHES]		CHK J.H. WEAVER 22APR2002		
TOLERANCES UNLESS OTHERWISE SPECIFIED:		APVD J.H. WEAVER 22APR2002	NAME BULKHEAD CONNECTOR ASSEMBLY, 9 CIRCUIT, UNIVERSAL MATE-N-LOK(TM)	
0 PLC ±	1 PLC ±0.5 [.02]	PRODUCT SPEC	SIZE	CAGE CODE
2 PLC ±0.13[.00]	3 PLC ±	APPLICATION SPEC	A200779	C-1604254
4 PLC ±	ANGLES ±	WEIGHT	SCALE	SHEET
MATERIAL ①	FINISH ②	CUSTOMER DRAWING	3:1	OF 1
			REV	B