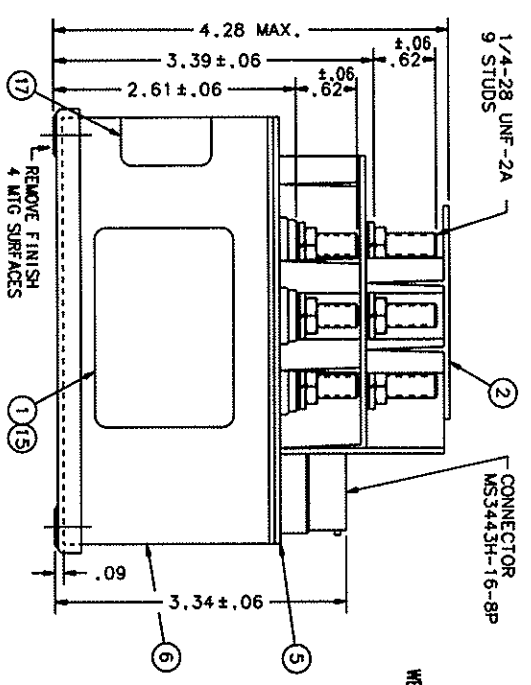
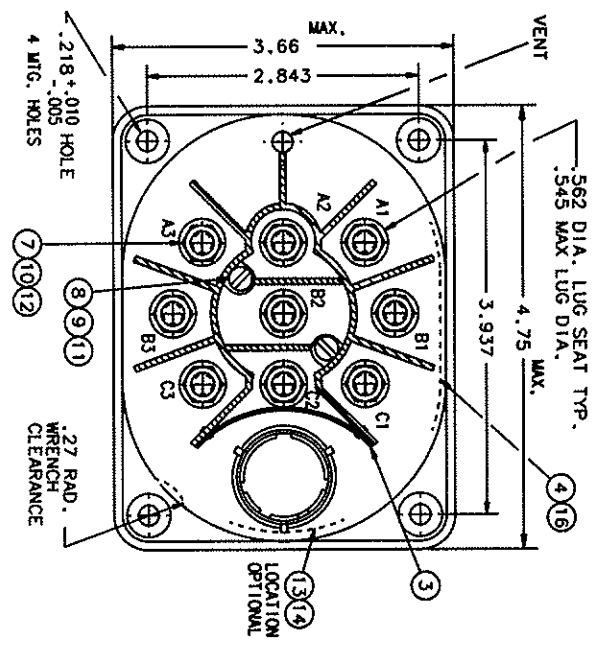


FAA/PMA

GASKET SEALED (VENTED)

REV.	DESCRIPTION	DATE	APPROVED
J	41744 REDRAWN, FIND NOS 15, 16, & 17 ADDED	00/02/78	RS

D-25BAH
REV. J



- NOTES:
1. THIS UNIT MEETS THE MATERIAL AND WORKSMANSHIP REQUIREMENTS OF MIL-R-6106.
 2. SUITABLE FOR 3 PHASE LOAD TRANSFER PER MIL-R-6106H.
 3. DIODES TO BE JANIX 1000 PIV.
 4. COIL TRANSIENT VOLTAGE LIMITED TO 445 VOLTS

CONSTRUCTION

MAIN CONTACTS CONFIGURATION VOLTAGE (NOMINAL) CURRENT RES IND MOTOR RUPTURE OVERLOAD

AUXILIARY CONTACTS CONFIGURATION VOLTAGE (NOMINAL) CURRENT RES +F, G, H*

COIL DATA

DUTY CYCLE NOM OPERATE VOLTAGE PICKUP MAX. DROPOUT VOLTAGE RESISTANCE AT 25°C PICKUP AND RELEASE TIME

ENVIRONMENTAL DATA

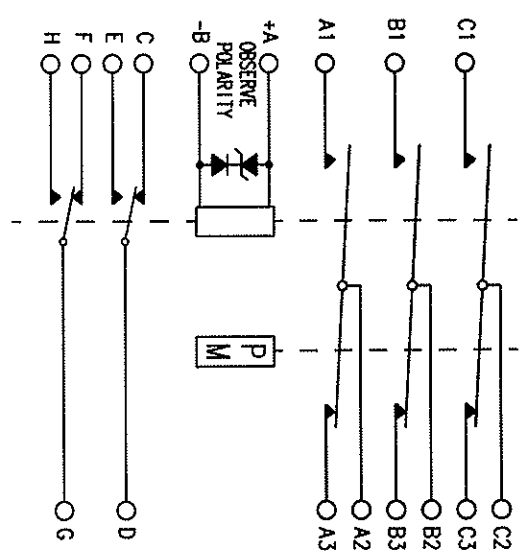
AMBIENT TEMP VIBRATION, SINE ACCELERATION SHOCK ALTITUDE WEIGHT, MAX.

3PDT SIDESTABLE 115/200 VAC 400 HZ
125 AMP
100 AMP
60 AMP
600 AMP
600 AMP

2PDT 28 VDC OR 115 VAC 400 HZ
3 AMP
0.1 MA AT 5V

CONTINUOUS 28 VDC
18 VDC AT 25°C
2.5 TO 7.0 VOLTS AT 25°C
113 OHMS ±20%
50 MS MAX AT 28 VDC AT 25°C

-55°C TO +71°C
0.036 INCH DA FROM 10 TO 52 HZ
5 g's FROM 52 TO 500 HZ
10 g's
15 g's MAX FOR 11 MS ±1
50,000 FEET MAX.
2.75 LBS.



FIND NO	QTY	PART OR IDENTIFYING NO	DESCRIPTION	PSOM NO	ROUTING OR SPECIFICATION	MATERIAL OR NOTE
17	1	17959-001	PLATE - WARNING			
16	1	39529-013	OVERLAY			
15	1	39529-001	OVERLAY			
14	1	39529-024	OVERLAY			
13	1	58400-111	PLATE - FAA/PMA			
12	9	51807-041	WASHER-LOCK 1/4 SPLIT			STEEL
11	2	51805-011	WASHER-LOCK NO. 5 SPLIT			BRONZE
10	9	51703-081	WASHER-FLAT 1/2 X 17/64 X 1/32			STEEL
9	2	51701-180	WASHER-FLAT 1/2 X 103 X .015			MILAR
8	2	51205-411	SCREW-5-40 X 1 3/8 RD. HD.			BRASS
7	9	50407-051	NUT-1/4-28 X 3/8 X 1/8 HEX			STEEL
6	1	29347-120	CONTACTOR ASSEMBLY - PRIMARY			
5	1	18345-003	PLATE-BASE COVER			
4	1	41585-001	PLATE-WIRING DIAGRAM			
3	1	19689-010	TERMINAL SHIELD ASSEMBLY			
2	1	17540-001	SHIELD-TERMINAL TOP			
1	1	16043-001	PLATE - NAME			

UNLESS OTHERWISE SPECIFIED DIMENSIONS ARE IN INCHES TOLERANCES ON		DR BY		RIS		00/03/20	
+	.03	+	.015	+	0+30°		
REF				CHK BY	KS	02/03/20	
DOUGLAS AIRCRAFT				ENGR	WES	07/03/83	
MD11 5D0243-1				RELEASE		00/03/83	
				CONTR NO.			
				GOVT APPVAL			

SIZE	CODE IDENT	DWG NO.
C	74063	D-25BAH

HARTMAN ELECTRICAL MANUFACTURING		MANFIELD, OHIO	
CONTACTOR-3PDT SIDE STABLE			
125A, 115/200 VOLTS, 400 HZ.			
093			