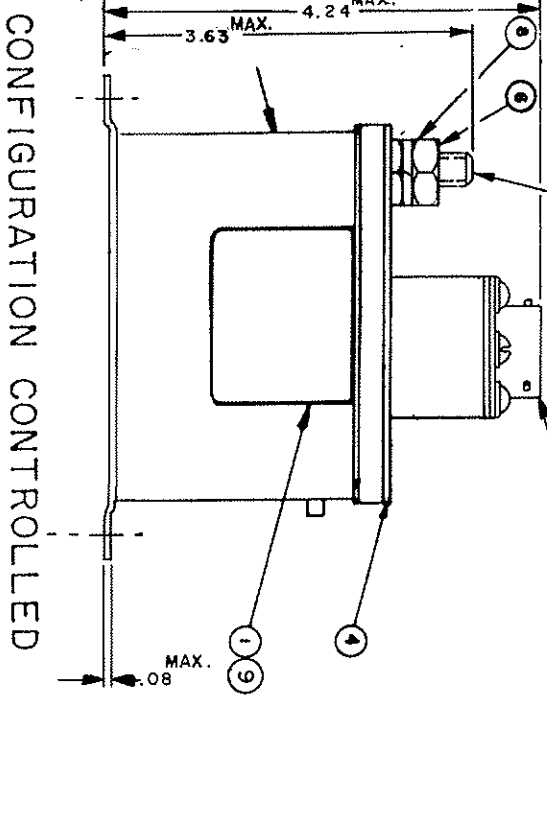
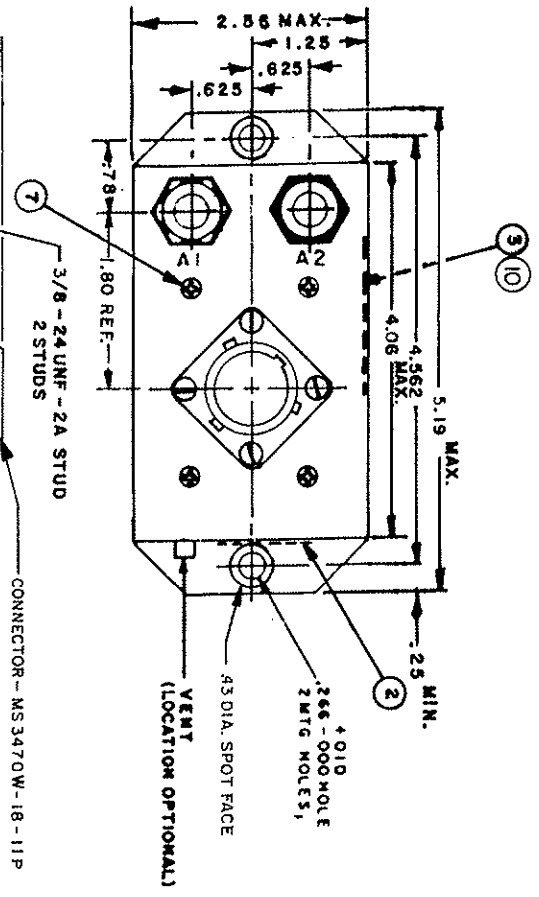
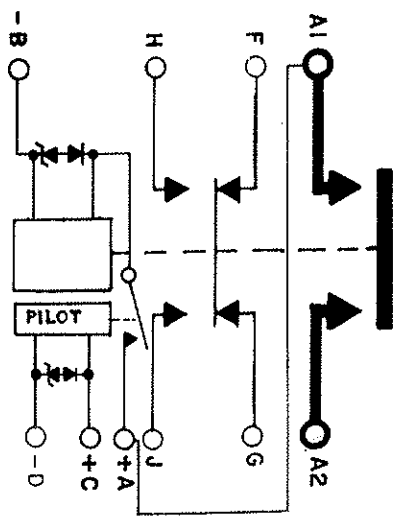


REVISIONS		DATE APPROVED
REV	DESCRIPTION	
A	ADDED ITEMS 9 & 10	10-14-91



CONFIGURATION CONTROLLED



- NOTES: 1. THIS UNIT MEETS THE MATERIALS & WORKMANSHIP REQUIREMENTS OF MIL - R - 6106
 2. REMOVE FINISH FROM MTG. SURFACE

ITEM NO	QTY	PART OR IDENTIFYING NO	NOMENCLATURE OR DESCRIPTION	FSCM NO	DRAWING OR SPECIFICATION	MATERIAL OR NOTE
10	1	39529-038	OVERLAY			
9	1	39529-001	OVERLAY			
8	2	51807-084	WASHER-LOCK, 3/8x.686x.094 SP		MS35336-103	BRONZE
7	4	51200-020	SCREW-NO.4x1/4 SHEET METAL		MS24626-9	STAINLESS STEEL
6	2	50407-164	NUT, 3/8-24x5/8x7/32 HEX		MS35650-3385	BRASS
5	1	32687-100	CONTACTOR ASSEMBLY-PRI.			
4	1	32232-002	PLATE-BASE COVER			
3	1	42279-001	PLATE-WIRING DIAGRAM			
2	1	25695-001	PLATE-WARNING			
1	1	16045-001	PLATE-NAME			

REF.	MDC	500046-1
DR BY	H.A.S.	5-10-91
CHECKED	CS	5-10-91
ENGINEER	DCS	5-10-91
MFG.		
RELEASE		
CONTR NO		
GOVT APPVL		

SIZE	FSCM NO	DWG NO
C	74063	A-703AK
SCALE: NONE		

HARTMAN ELECTRICAL MANUFACTURING	
MANSFIELD, OHIO	
CONTACTOR	
400 AMP, 28 VOLTS	

UNLESS OTHERWISE SPECIFIED
 DIMENSIONS ARE IN INCHES
 TOLERANCES UN
 2 PLAC. 1 3 PLAC. 1 ANILES
 F.06 F.010 F.10

REV. NO.	DESCRIPTION	DATE	APPROVED
1	SEE SHEET ONE		

CONSTRUCTION
MAIN CONTACTS
VOLTAGE (NOMINAL)
CURRENT:

SPST N.O.
28 VDC
400 AMP
1000 AMP FOR 30 SEC.
1500 AMP INRUSH

AUXILIARY CONTACTS
CONFIGURATION
VOLTAGE
CURRENT RES.
SURGE

PILOT RELAY
CONTACT CONFIGURATION
VOLTAGE NOMINAL
CURRENT
COIL DUTY
COIL CURRENT AT 31V
PICKUP
DROPOUT
TRANSIENT SUPPRESSION

SPST
28 VDC
5 AMP
CONTINUOUS
.15 AMP MAX.
18V. MAX.
7V. MAX.
± 45 V

COIL DATA
DUTY CYCLE
NOMINAL VOLTAGE
PICKUP MAX.
PULL THROUGH
DROPOUT VOLTAGE

INTERMITTENT
16-31 VDC
10 VDC
6 VDC MAX. AT 77°F
7+0
7-6

RESISTANCE
TRANSIENT SUPPRESSION
OPERATE TIMES
PICKUP
DROPOUT
CONTACT BOUNCE

14 OHM ± 20% AT 77°F
± 45 V MAX.
35 MS MAX. AT 28 VDC
35 MS MAX. AT 28 VDC
.004 SEC. MAX. MAKE
.003 SEC. MAX. BREAK NO. ONLY
-67°F TO +160°F
15,000 CYCLES MIN.
100,000 CYCLES
2 LBS. 3 OZ.

NOTE:
DIODES ARE JANTX GLASS CASE 1000 PIV
ZENERS ARE JANTX GLASS CASE

CONFIGURATION CONTROLLED

UNLESS OTHERWISE SPECIFIED DIMENSIONS ARE IN INCHES TOLERANCES ON		REF.		HARTMAN ELECTRICAL MANUFACTURING MANFIELD, OHIO	
±	2 PL DEC.	±	3 PL DEC.	±	ANGLES
MATERIAL		MDC		5D0046-1	
		DR BY		H.A.S. 15-10-91	
		CHECKED		[Signature]	
		ENGINEER		[Signature]	
		MFE		[Signature]	
		RELEASE			
		CONTR. NO.			
		GOVT APPLV			
DASH NO		SIZE		F SGM NO.	
NEXT ASSY		C		74063	
USED ON		DWG NO.		A-703AK	
APPLICATION		SCALE		SHEET 2 OF 2	