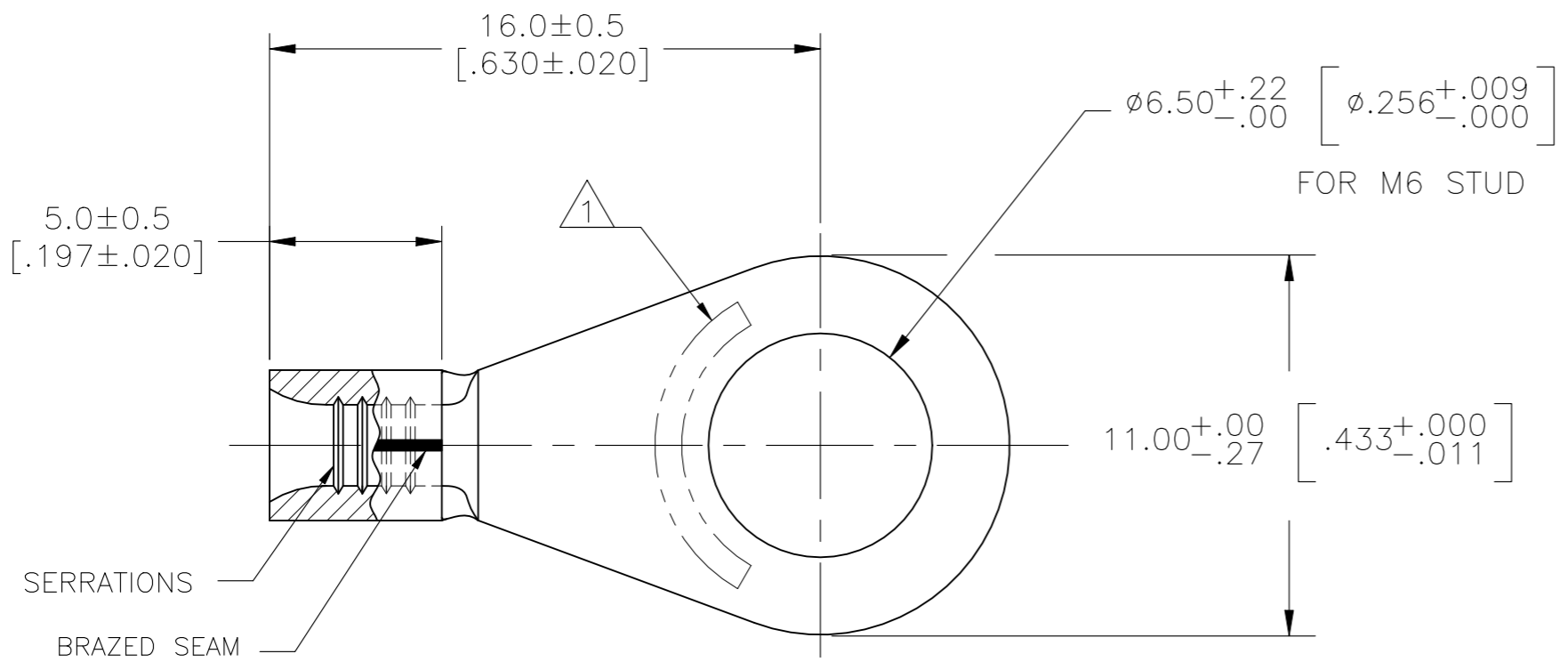
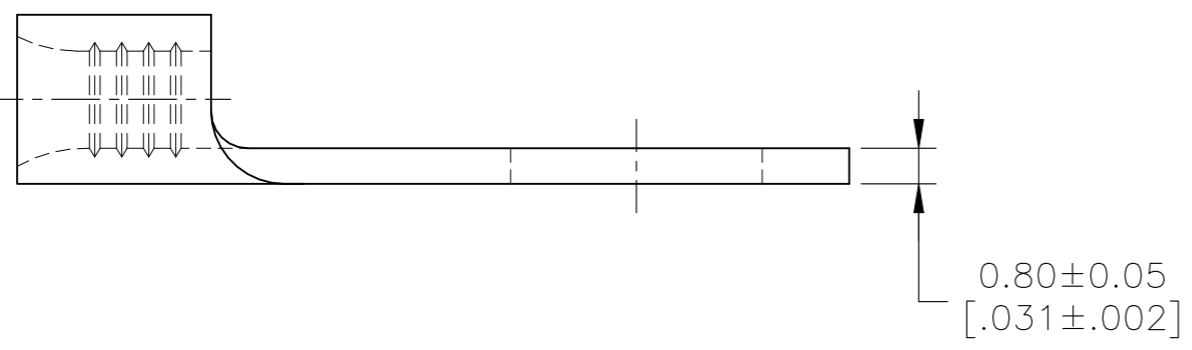



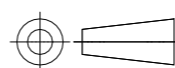
REVISIONS					
P	LTR	DESCRIPTION	DATE	DWN	APVD
	C1	REV PER ECR-24-197633	19FEB2024	LP	DSC



- △1 STAMP "AMP 6-2.5" APPROX AS SHOWN
- △2 MATERIAL: COPPER PER ASTM B152, ANNEALED
- △3 FINISH: TIN PLATE 0.0030[.000120] MIN EXT THK PER ASTM B545



1000	LOOSE PIECE	165299
QTY	PACKAGING TYPE	PART NO

THIS DRAWING IS A CONTROLLED DOCUMENT.		DWN 27DEC2023 SANTOSHACHAR S	 TE Connectivity			
DIMENSIONS: mm [INCHES]		CHK 27DEC2023 CHETHAN SUVARNA D				NAME
		APVD 27DEC2023 CHETHAN SUVARNA D	TERMINAL, RING TONGUE, SOLISTRAND, DIN 46234 WIRE SIZE: 1.5-2.5 mm ²			
TOLERANCES UNLESS OTHERWISE SPECIFIED: 0 PLC ± - 1 PLC ± - 2 PLC ± - 3 PLC ± - 4 PLC ± - ANGLES ± -		PRODUCT SPEC	SIZE	CAGE CODE	DRAWING NO	RESTRICTED TO
MATERIAL △2		FINISH △3	—	A3	00779	C-165299
CUSTOMER DRAWING			SCALE 1:1	SHEET 1 OF 1	REV C1	