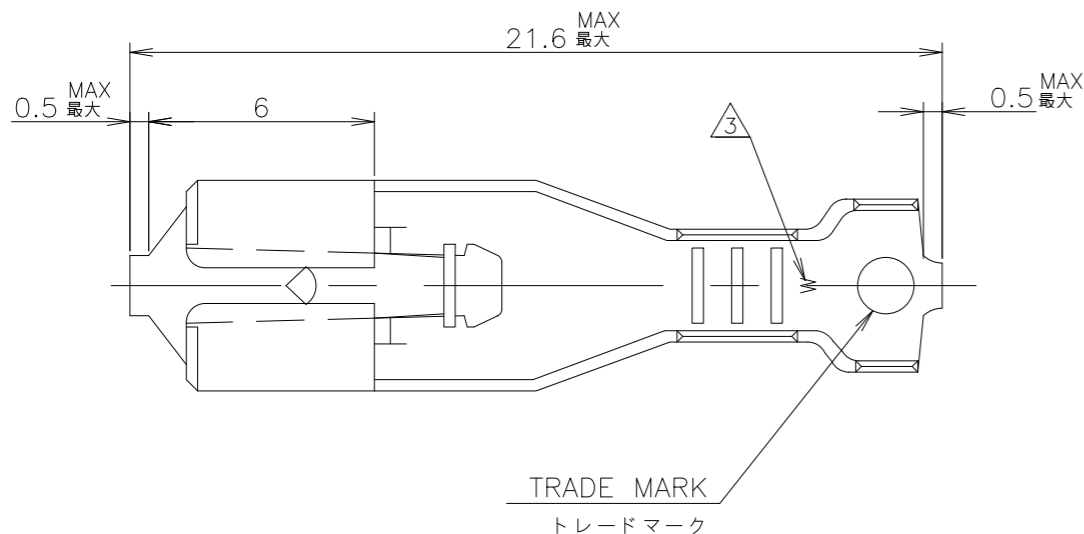
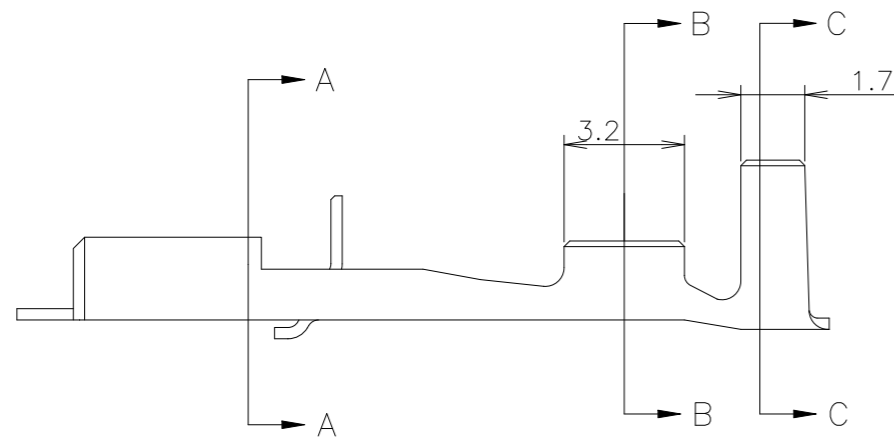
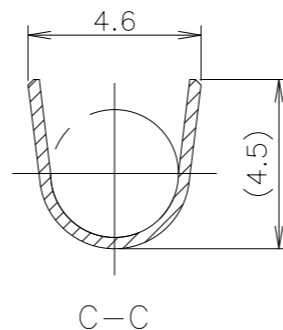
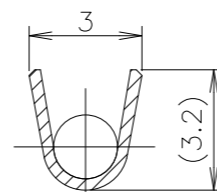
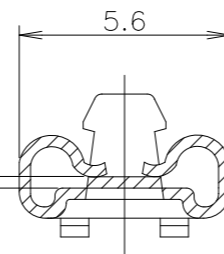


P	LTR	DESCRIPTION	DATE	DWN	APVD
	J3	REVISED PER ECR-24-197155	11JAN2024	DB	RE

—*; AS SHOWN



0.5厚タブと嵌合
MATE WITH
0.5mm THK TAB



- 1 適用ハウジング型番
172074, 172075
- 1 APPLICABLE HOUSING P/N
172074, 172075
- 2 PARTS 170325-7 & 170331-7 WERE APPLIED
NYE LUBE.
- △3 ADD 'W' MARK, LOCATED APPROX AS SHOWN.
FOR 3-170325-1 ONLY

OBSOLETE	—H—	PRE-TIN BRASS 0.3t THK	3-170325-7
	170331-7	170325-1	170325-7
	—H—	錫めっき済高耐熱銅合金 0.3t PRE-TIN HIGH HEAT RESISTANCE COPPER ALLOY 0.3t THK	170325-6
	—H—	錫めっき済 りん青銅 0.3t PRE-TIN PHOS BRO 0.3t THK	170325-5
	170331-2	ニッケルめっき仕上 りん青銅 0.3t PHOS BRO 0.3t THK NICKEL PL	170325-2
	170331-1	錫めっき済黄銅 0.3t PRE-TIN BRASS 0.3t THK	170325-1
	ばら状端子型番 LOOSE PIECE P/N	材料 MATERIAL	型番 STRIP FORM P/N

WIRE RANGE 包合電線断面積 AWG#20-#16 0.51~1.38 mm² INSULATION DIA 被覆外径 1.9~3.4 mmφ

THIS DRAWING IS A CONTROLLED DOCUMENT.		DWN M.SUZUKI 04AUG1998	TE Connectivity 187 SERIES POSITIVE LOCK MARK II REC. 187シリーズポジティブロック(マークII)リセプタクル	
DIMENSIONS: 単位: 耗 mm		CHK H.TAGUCHI 04AUG1998		
TOLERANCES UNLESS OTHERWISE SPECIFIED: 一般公差		APVD H.TAGUCHI 04AUG1998	NAME 名称	
0 PLC ±- 1 PLC ±- 2 PLC ±- 3 PLC ±- 4 PLC ±- ANGLES ±-		PRODUCT SPEC 製品規格 108-5126	187 SERIES POSITIVE LOCK MARK II REC. 187シリーズポジティブロック(マークII)リセプタクル	
GENERAL TOLERANCE 一般公差 10 ≥ : ±0.2 30 ≥ > 10: ±0.25 100 ≥ > 30: ±0.3 ANGLES: ±3°		APPLICATION SPEC 取付適用規格 114-5041	SIZE A3	CAGE CODE 00779
MATERIAL 材料 SEE TABLE		WEIGHT 0.000000	DRAWING NO 番号 C=170325	
		CUSTOMER DRAWING	RESTRICTED TO	
		SCALE 尺度 5:1	SHEET 1 OF 1	REV J3