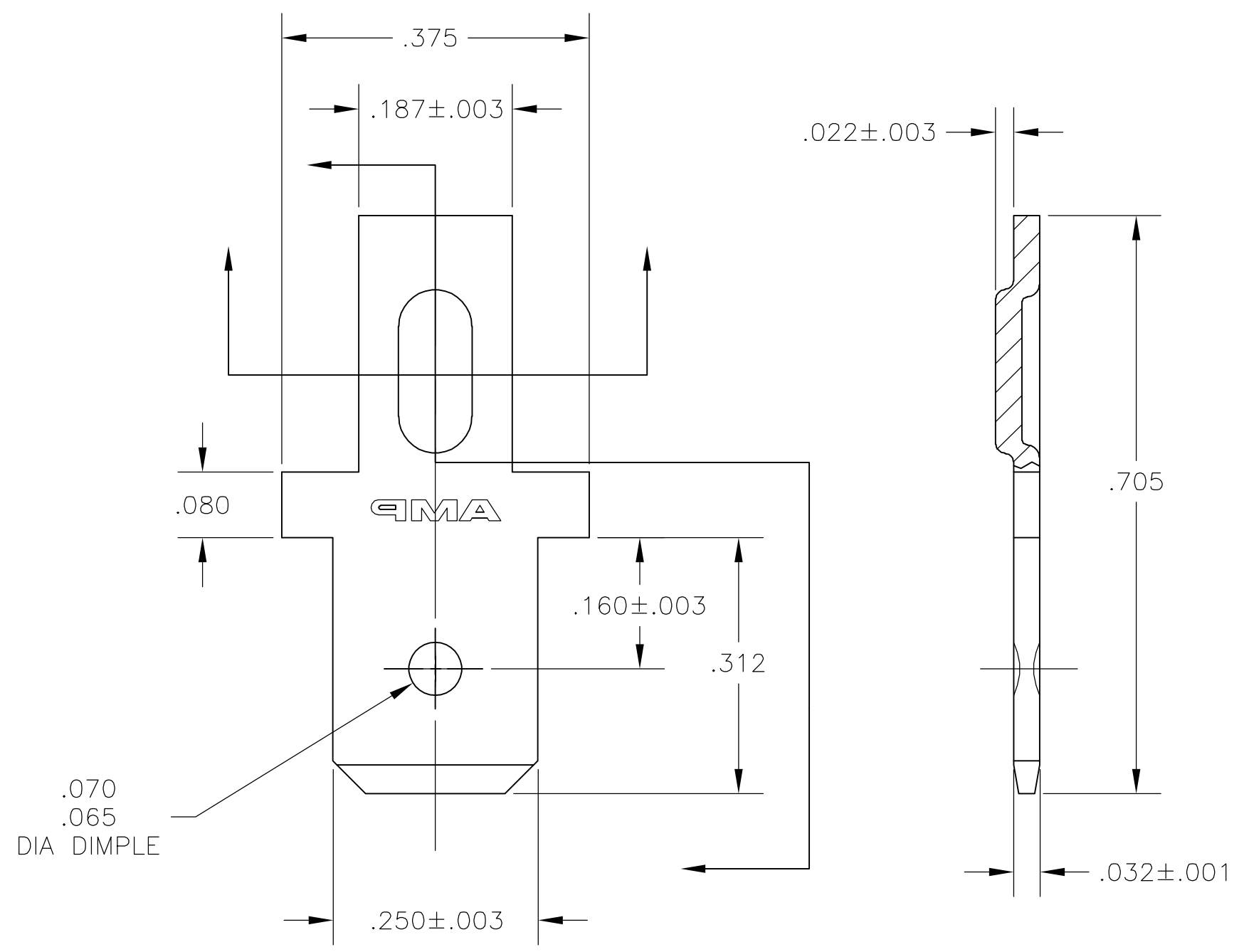


THIS DRAWING IS UNPUBLISHED. RELEASED FOR PUBLICATION
 © COPYRIGHT BY TYCO ELECTRONICS CORPORATION. ALL RIGHTS RESERVED.

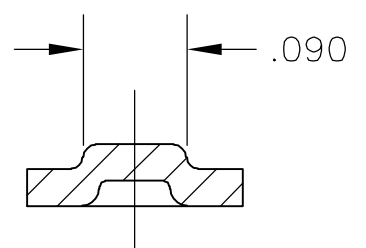
LOC	DIST	REVISIONS					
AF	50	P	LTR	DESCRIPTION	DATE	DWN	APVD
			A1	REL PER ECR 06-009464	22APR06	JR	KR

1 SUPPLIED IN LOOSE PIECE

$\triangle 2$.000150 MIN NICKEL PLATE OVER
 .000050 MIN COPPER



1742389-1
 PART NO



THIS DRAWING IS A CONTROLLED DOCUMENT.		DWN	jr_ruth	29NOV05	Tyco Electronics Corporation Harrisburg, PA 17105-3608		
DIMENSIONS: INCHES		CHK	K RANDOLPH	29NOV05			
TOLERANCES UNLESS OTHERWISE SPECIFIED:		APVD	K RANDOLPH	29NOV05	NAME		
0 PLC	± -	PRODUCT SPEC		WELD TAB, FASTON, .250 SERIES			
1 PLC	± -	APPLICATION SPEC		-			
2 PLC	± -	SIZE	A3	CAGE CODE	00779	DRAWING NO	C-1742389
3 PLC	± .010	WEIGHT		-		RESTRICTED TO	
4 PLC	± -	MATERIAL		T2 CR STEEL		-	
ANGLES	± 5°	FINISH		-		-	
MATERIAL		CUSTOMER DRAWING		SCALE	6:1	SHEET	1 OF 1
FINISH		-		REV		A1	