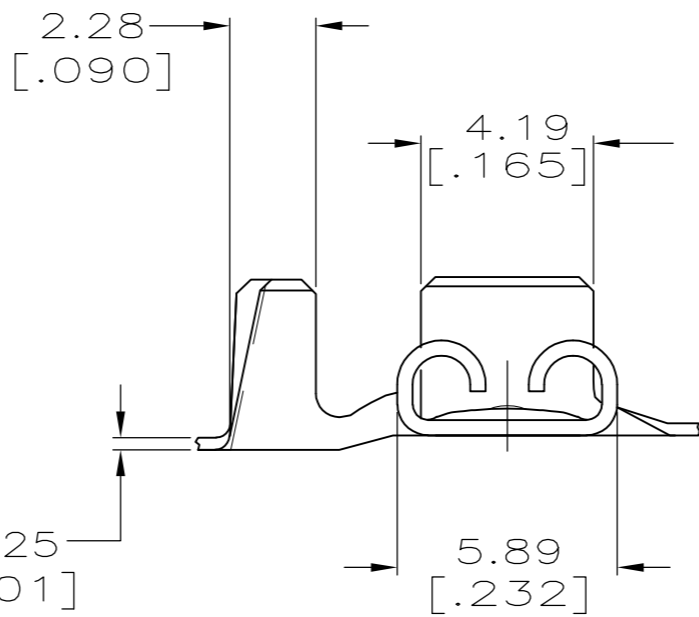
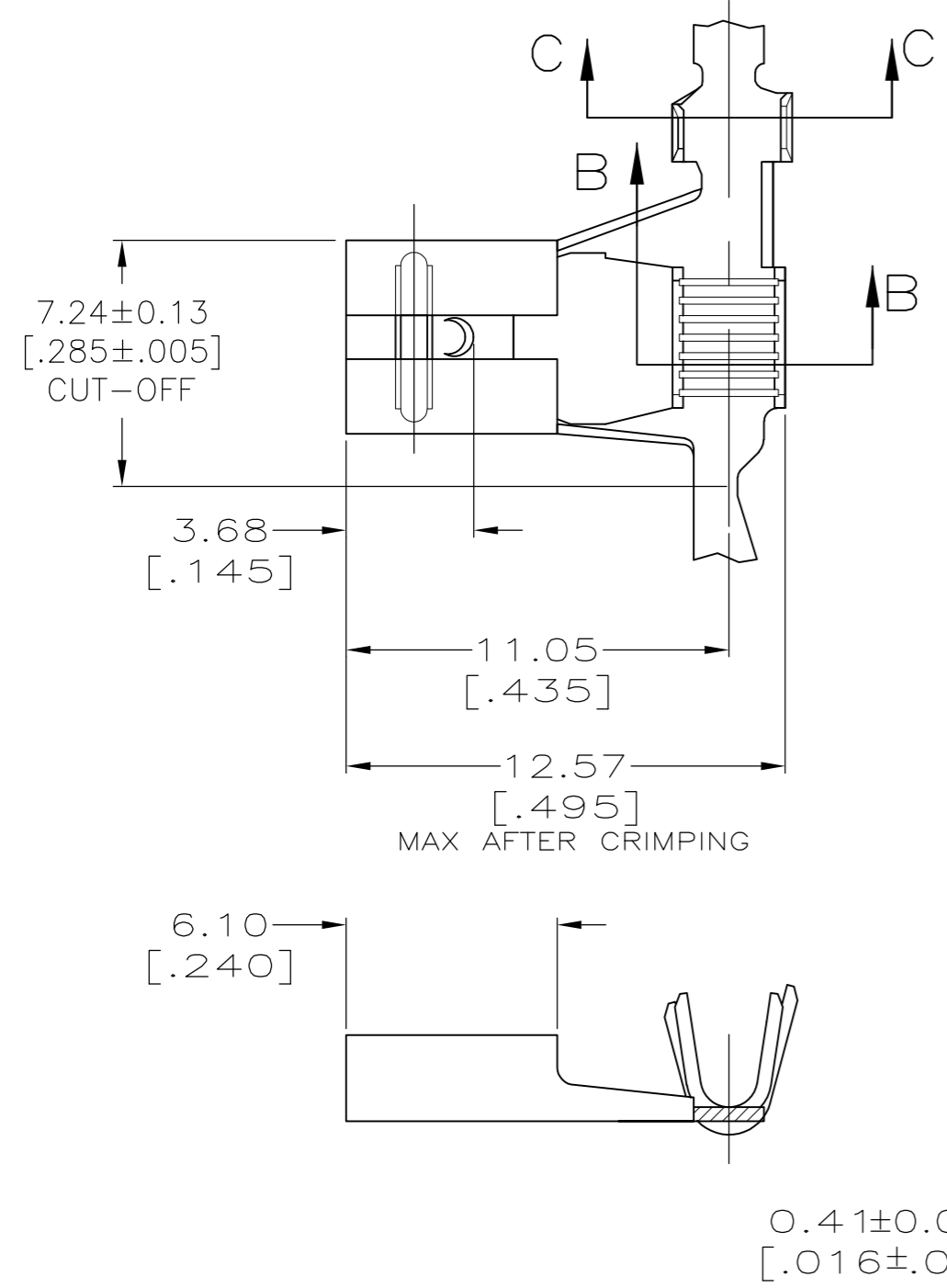
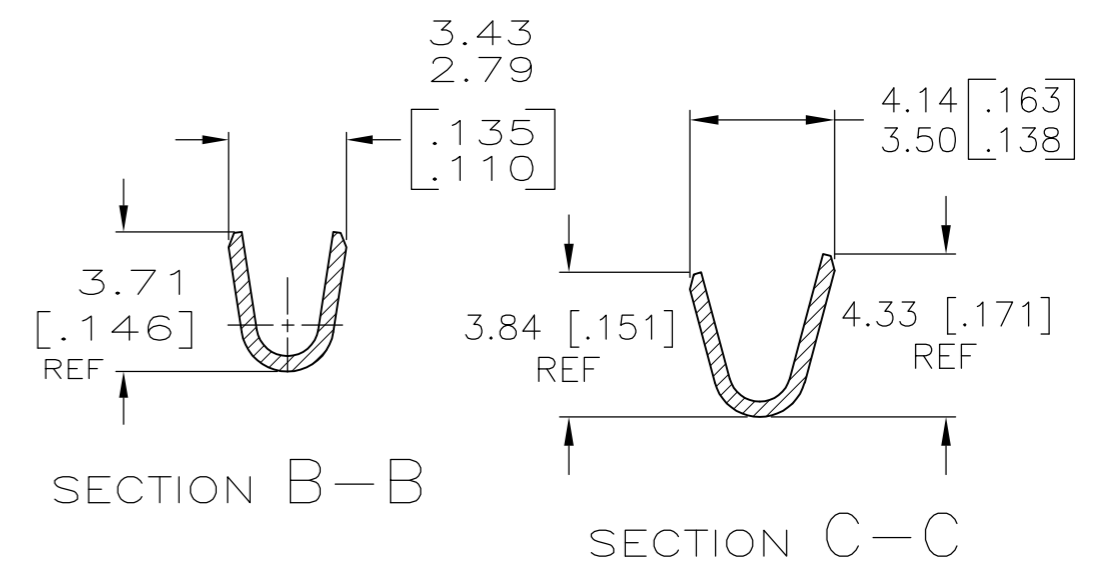


THIS DRAWING IS UNPUBLISHED. RELEASED FOR PUBLICATION  
 © COPYRIGHT BY TYCO ELECTRONICS CORPORATION. ALL RIGHTS RESERVED.

LOC	DIST	REVISIONS			
P	LTR	DESCRIPTION	DATE	DWN	APVD
AF	50	A1	REVISED PER ECR-08-017316	11JUL08	HMR PD



- CONTINUOUS STRIP ON REELS.
- ACCEPTS ONE #17 MAGNET WIRE WITH ONE STRANDED #18 AWG. FOR A TOTAL CMA OF 2000-4050.
- MATING TAB THK TO BE 0.81±0.025 [.032±.001]
- 0.002032 [.000080] MIN TIN



1742685-1  
PART NO.

THIS DRAWING IS A CONTROLLED DOCUMENT.		DWN RAGHAVENDRA 06MAR08	Tyco Electronics Corporation Harrisburg, PA 17105-3608	
DIMENSIONS: mm [INCHES]	TOLERANCES UNLESS OTHERWISE SPECIFIED:	CHK P DESANTIS 06MAR08	RECEPTACLE, FASTON, FLAG, AMPLIVAR, 4.75 [.187] SERIES	
	0 PLC ± - 1 PLC ± - 2 PLC ± 0.25 [.010] 3 PLC ± - 4 PLC ± - ANGLES ± -	APVD P DESANTIS 06MAR08	NAME	RESTRICTED TO
MATERIAL H04 BRASS	FINISH 4	PRODUCT SPEC -	APPLICATION SPEC -	SCALE 5:1
		WEIGHT -	SIZE A3	CAGE CODE 00779
		DRAWING NO 1742685		SHEET 1 OF 1
		CUSTOMER DRAWING		REV A1