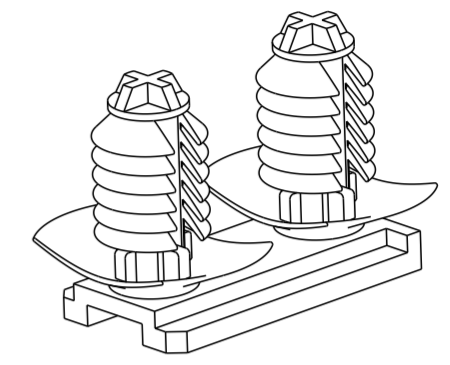
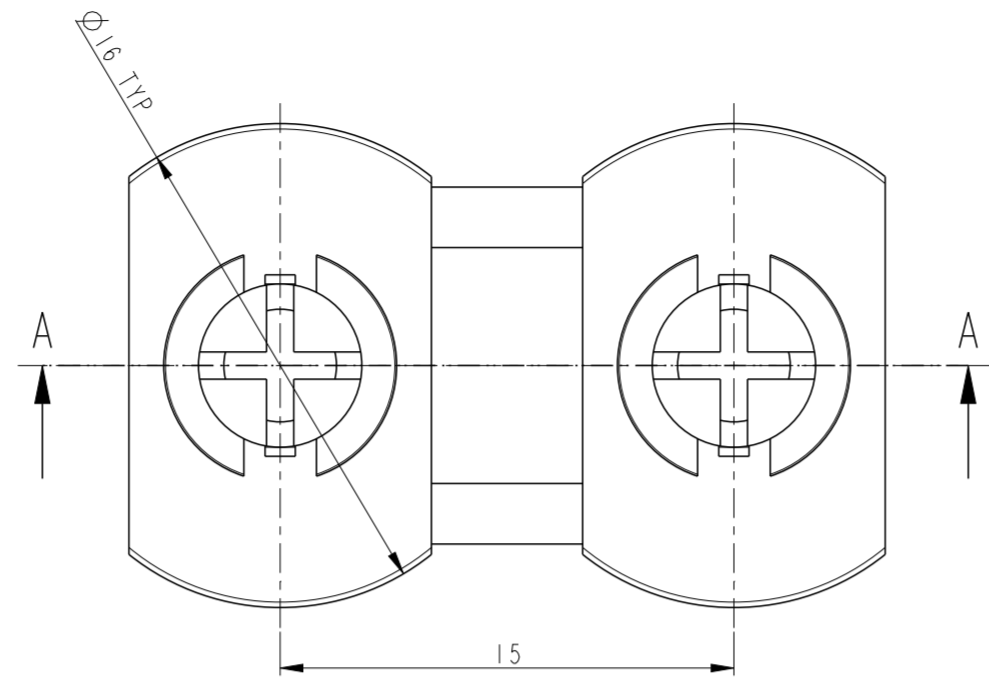
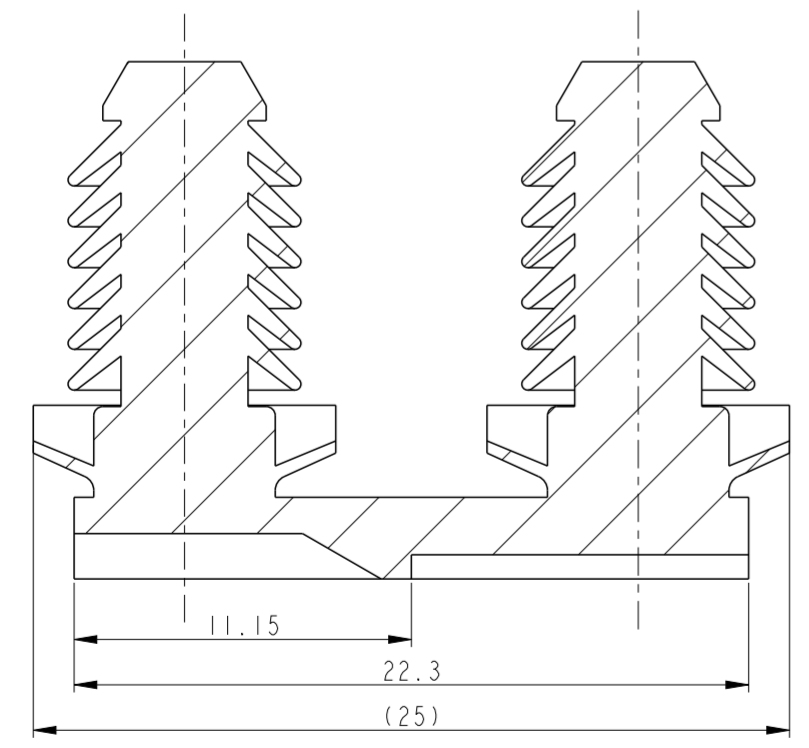
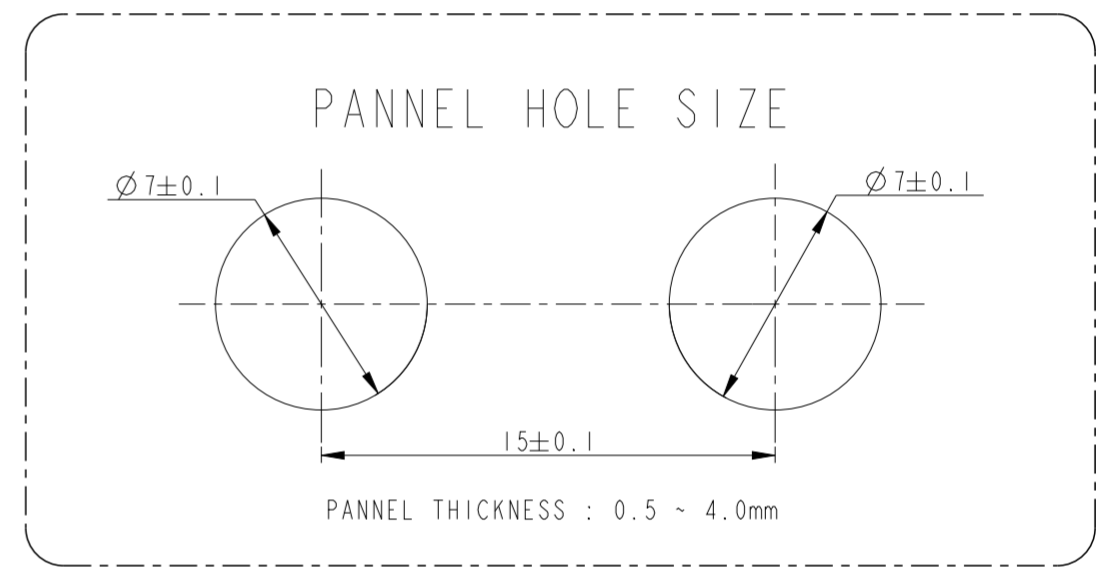
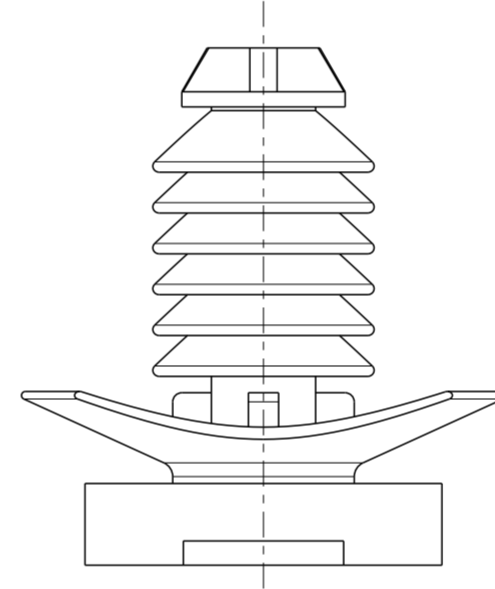
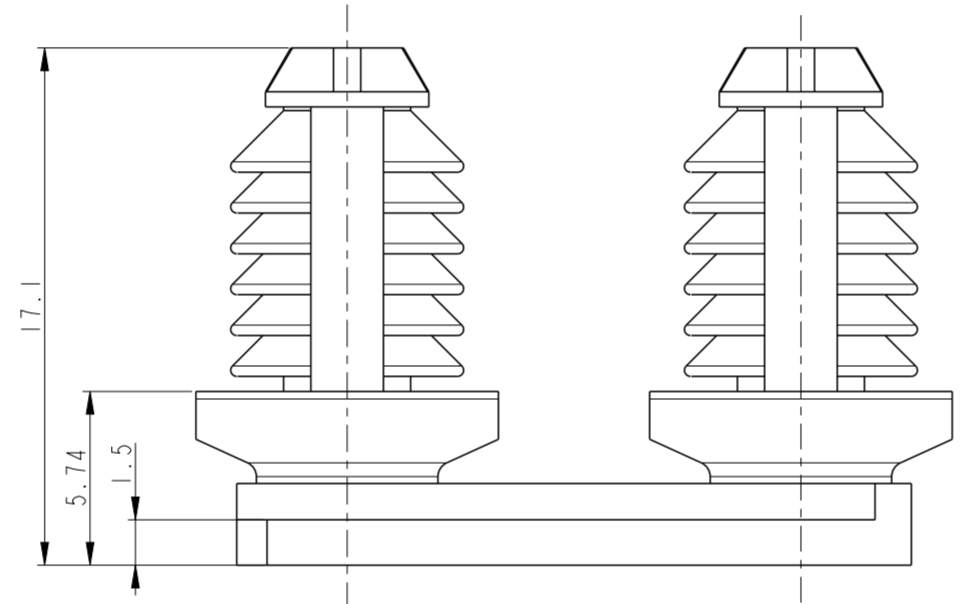
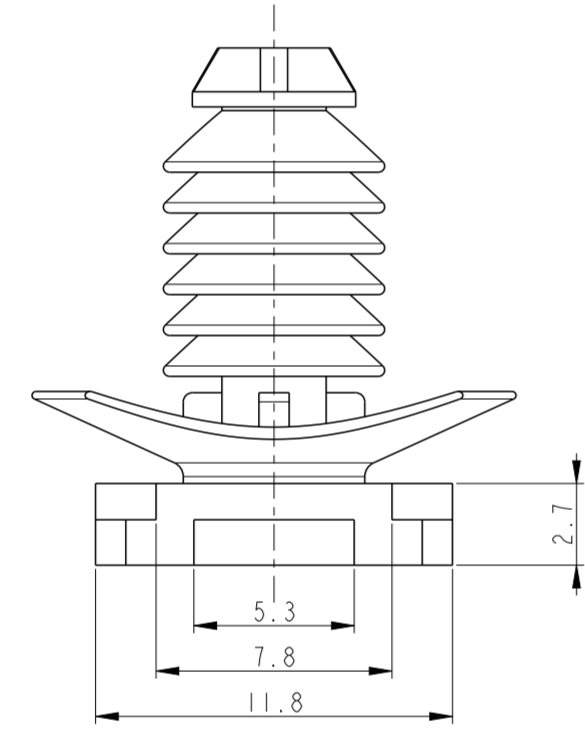


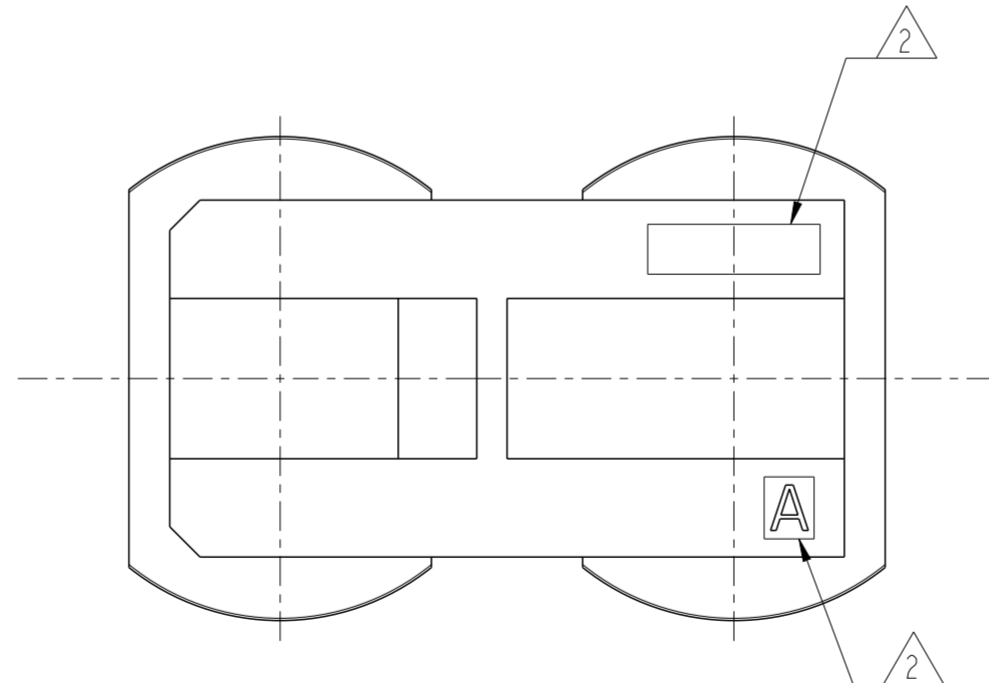
REVISIONS					
P	LTR	DESCRIPTION	DATE	DWN	APVD
	A	RELEASED	16. JUN. '05	SB	CS
	A1	REVISED (ECR-16-016589)	23NOV2016	JM	JW
	A2	REVISED (ECR-19-011712)	25JUL2019	SH	YJ
	A3	REVISED (ECR-24-200499)	20FEB2024	KH	KT



1743455-X
3D VIEW
SCALE 2/1



SECTION A-A



NOTES

(A1) 1. GENERAL TOLERANCE:

GENERAL TOLERANCES	
10 MAX	±0.2
10 OVER 30 MAX	±0.25
30 OVER	±0.3
ANGLES	±3°

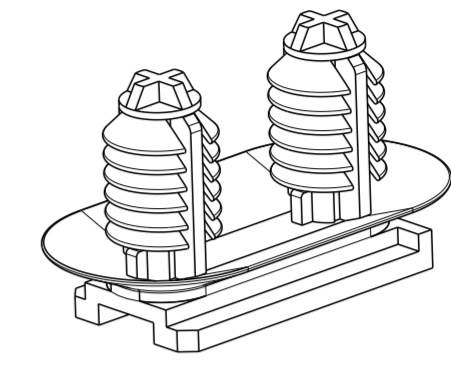
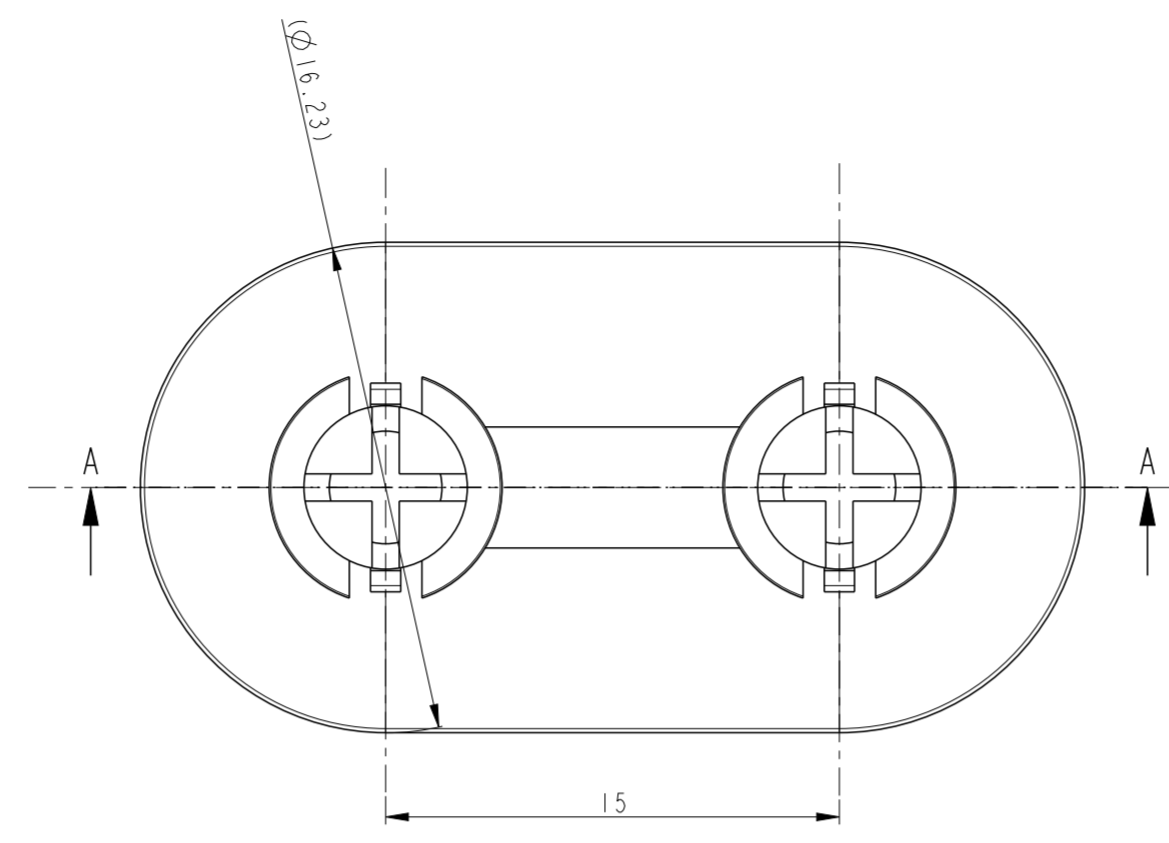
△ TRADE MARK, CAVITY MARK

NO.	COLOR	MATERIAL	DESCRIPTION	P/N
(A1) 2	GRAY	PA66	CLIP HSG	1743455-3
1	BLACK	PA66	CLIP HSG	1743455-2

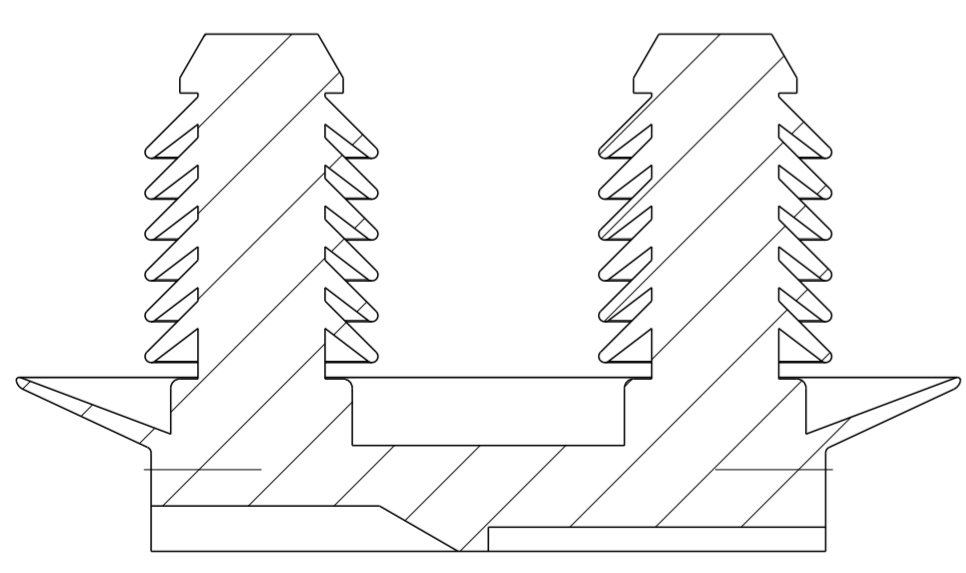
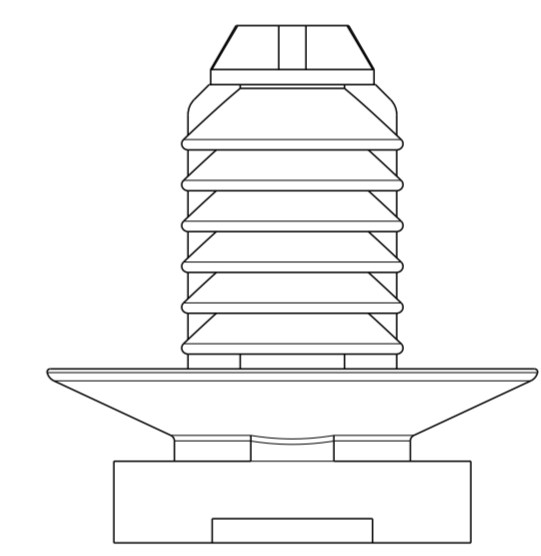
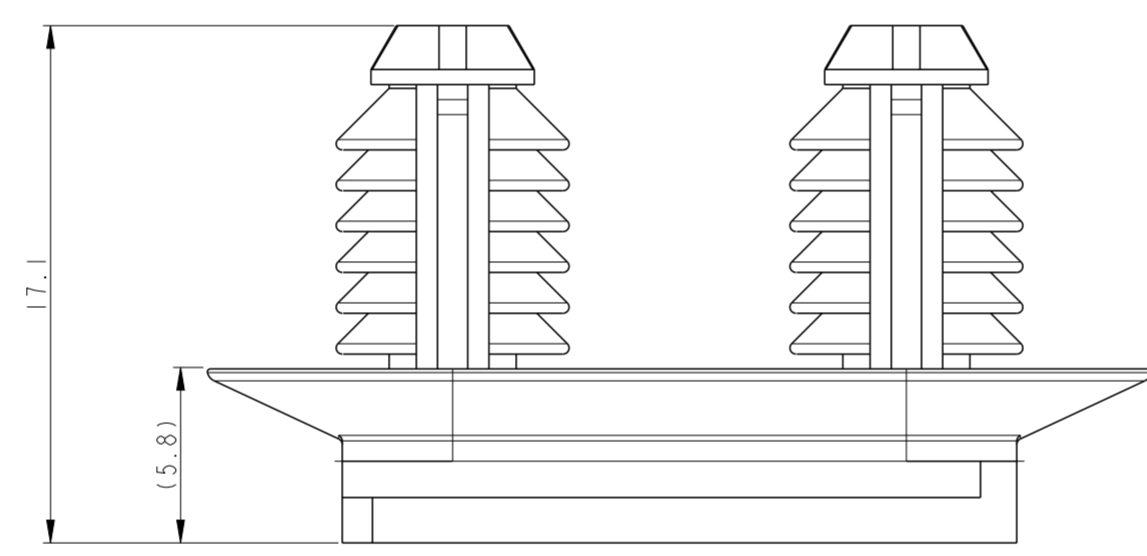
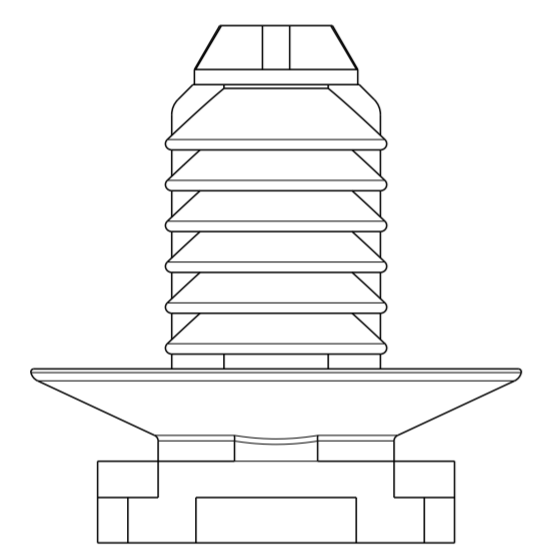
THIS DRAWING IS A CONTROLLED DOCUMENT.		DWN: JM JEON	11 JUL 2023	STE TE Connectivity	
DIMENSIONS: mm		CHK: -	APVD: JW JUNG		
TOLERANCES UNLESS OTHERWISE SPECIFIED:		PRODUCT SPEC		NAME: &DWG_TITLE_2	
0 PLC ±		APPLICATION SPEC		SIZE: A2	
1 PLC ±0.1		WEIGHT: -		CAGE CODE: 00779	
2 PLC ±0.01		CUSTOMER DRAWING; RESTRICTED CUSTOMER		DRAWING NO: C-1743455	
3 PLC ±0.001		SCALE: 3:1		SHEET: 1 OF 3	
4 PLC ±0.0001		RESTRICTED TO:		REV: A3	
ANGLES ±					
FINISH					

REVISIONS					
P	LTR	DESCRIPTION	DATE	DWN	APVD
		SEE SHEET 1	SEE SHEET 1 OF 2		

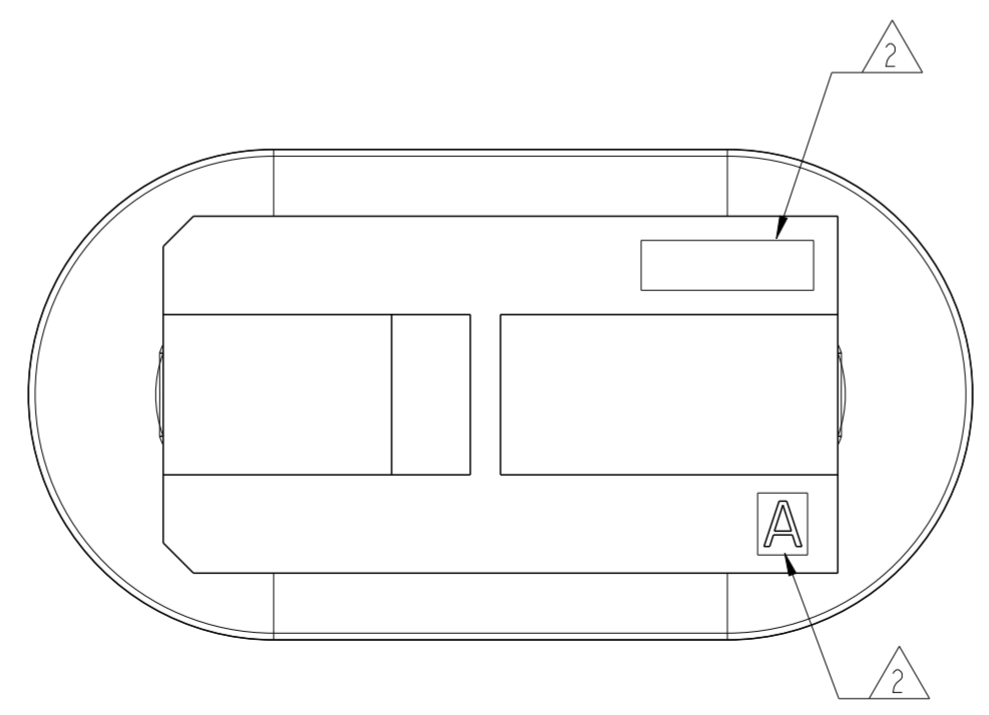
#1-1743455-2
 CONVERSION PART.
 MISSING DIMENSIONS ARE SAME WIHT 1743455-2



1-1743455-X
 3D VIEW



SECTION A-A
 SCALE 4:1

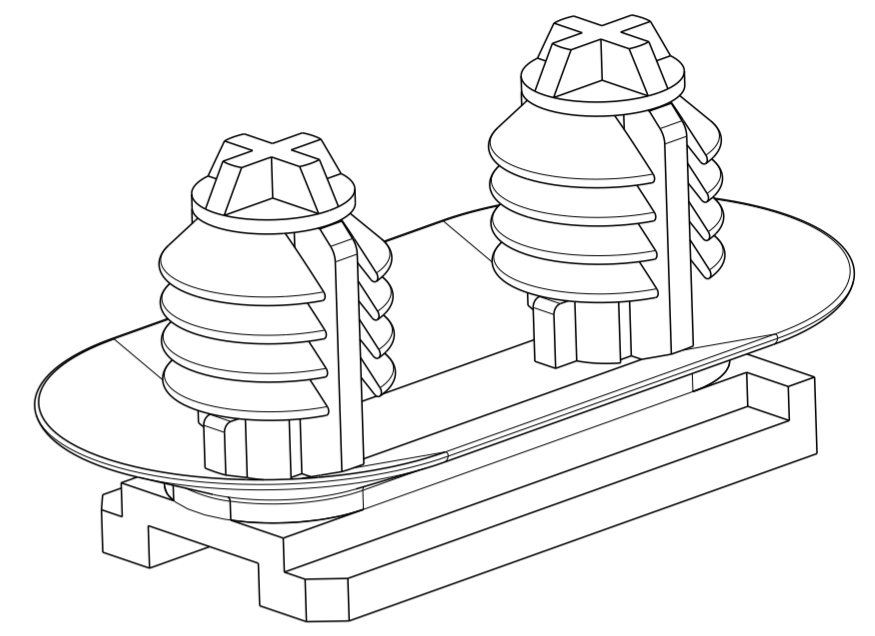
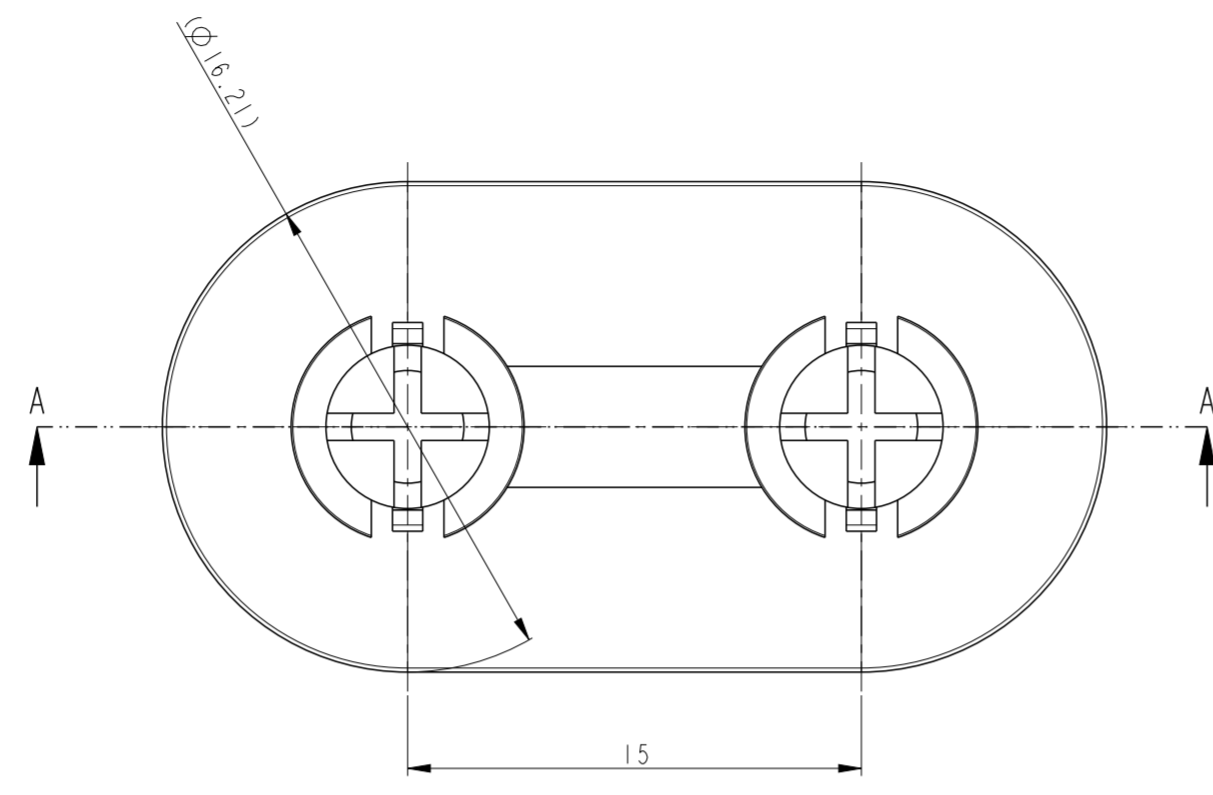


A2	3	BLACK	PA66	CLIP HSG	1-1743455-2
	NO.	COLOR	MATERIAL	DESCRIPTION	P/N

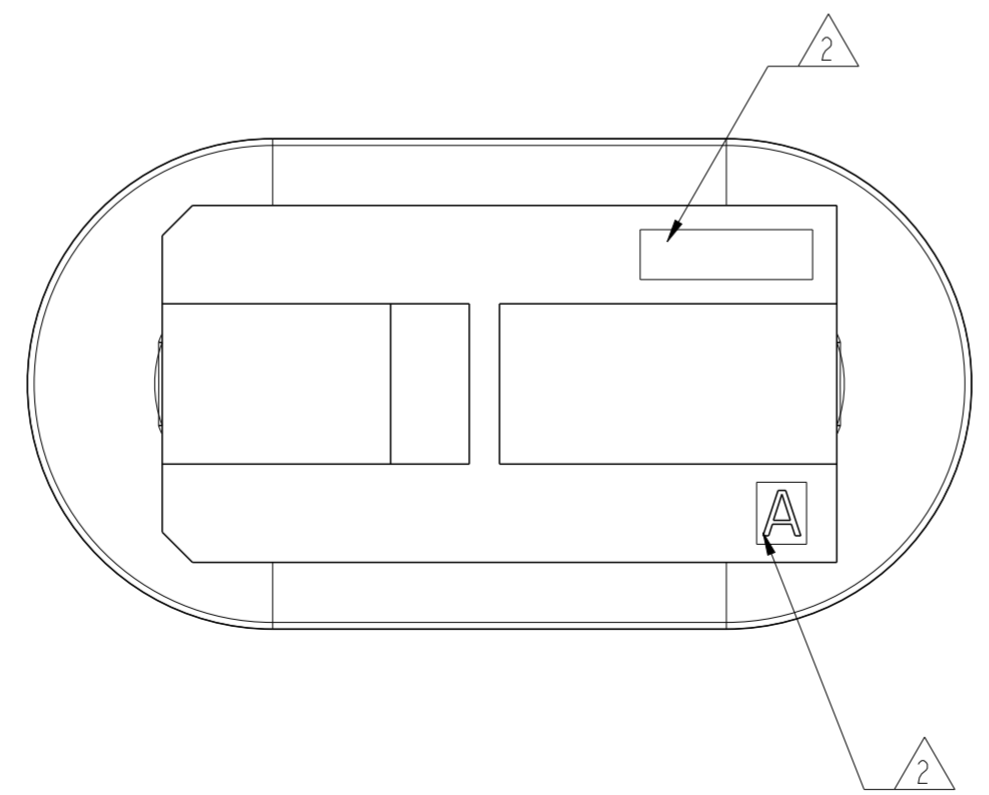
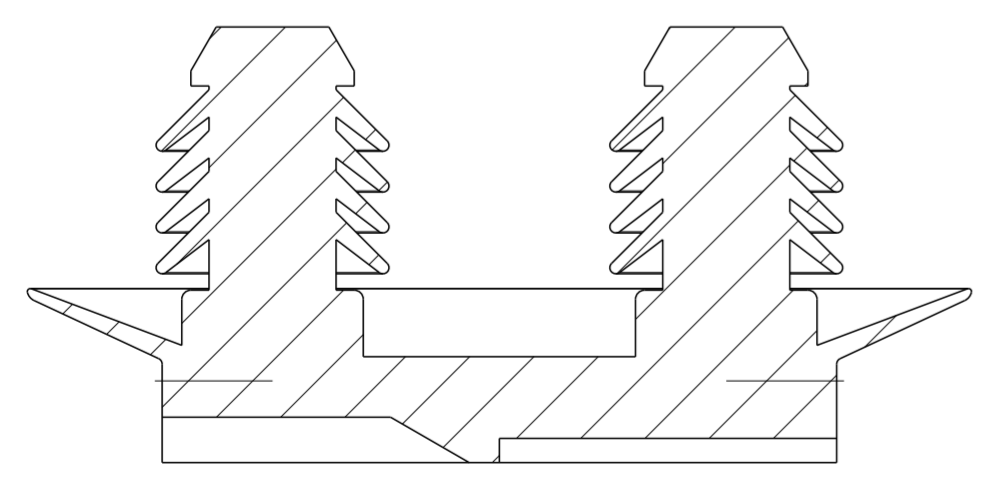
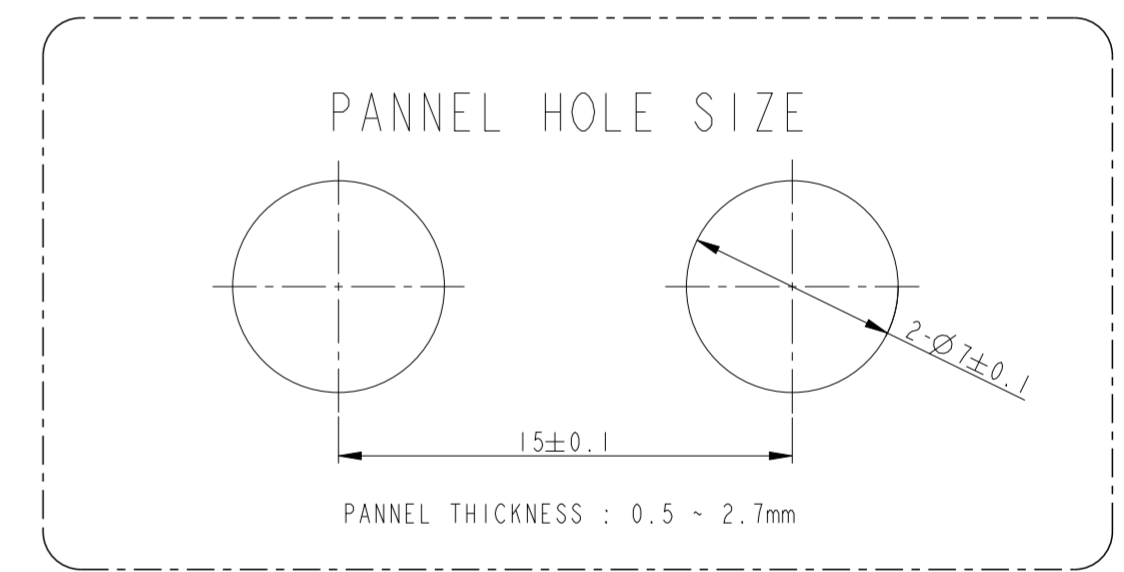
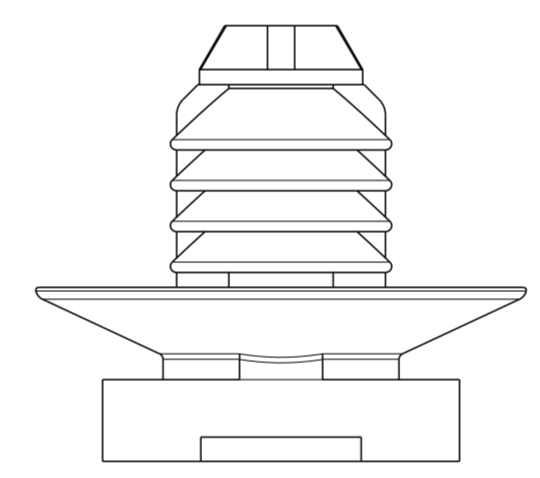
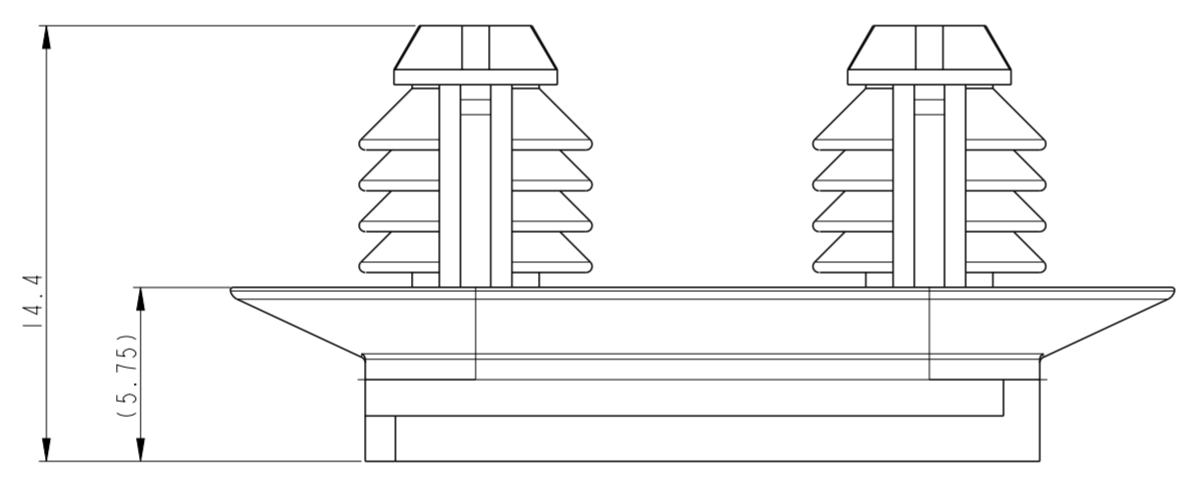
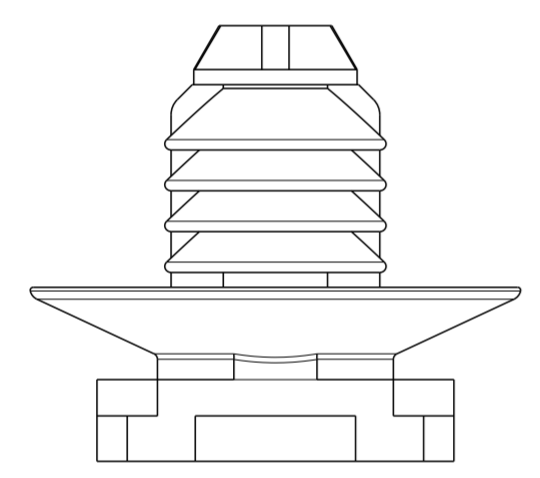
THIS DRAWING IS A CONTROLLED DOCUMENT.		DWN	11 JUL 2023	TE Connectivity	
DIMENSIONS: mm		CHK	-		
TOLERANCES UNLESS OTHERWISE SPECIFIED:		APVD	SEE SHEET 1 OF 2	NAME &DWG_TITLE &DWG_TITLE_2	
0 PLC	±0.1	PRODUCT SPEC	-	SIZE	
1 PLC	±0.1	APPLICATION SPEC	-	CAGE CODE	DRAWING NO
2 PLC	±0.01	WEIGHT	-	A2	00779
3 PLC	±0.001	CUSTOMER DRAWING; RESTRICTED CUSTOMER	-	SCALE	3:1
4 PLC	±0.0001	RESTRICTED TO	-	SHEET	2 OF 3
ANGLES	±			REV	A3
FINISH	-				
MATERIAL	TBD				

REVISIONS					
P	LTR	DESCRIPTION	DATE	DWN	APVD
		SEE SHEET 1	SEE SHEET 1		

#2-1743455-2
 CONVERSION PART.
 MISSING DIMENSIONS ARE SAME WIHT 1743455-2



2-1743455-X
 3D VIEW



SECTION A-A

A3	4	BLACK	PA66	CLIP HSG	2-1743455-2
	NO.	COLOR	MATERIAL	DESCRIPTION	P/N

THIS DRAWING IS A CONTROLLED DOCUMENT.		DWN	-																							
		CHK	-																							
		APVD	SEE SHEET 1																							
DIMENSIONS:		PRODUCT SPEC	-																							
mm		APPLICATION SPEC	-																							
		WEIGHT	-																							
MATERIAL		CUSTOMER DRAWING	SCALE	SHEET	REV																					
SEE TABLE			4:1	3 OF 3	A3																					
TOLERANCES UNLESS OTHERWISE SPECIFIED:		<table border="1"> <tr> <td>0 PLC</td> <td>±</td> <td></td> </tr> <tr> <td>1 PLC</td> <td>±0.1</td> <td></td> </tr> <tr> <td>2 PLC</td> <td>±0.01</td> <td></td> </tr> <tr> <td>3 PLC</td> <td>±0.001</td> <td></td> </tr> <tr> <td>4 PLC</td> <td>±0.0001</td> <td></td> </tr> <tr> <td>ANGLES</td> <td>±</td> <td></td> </tr> <tr> <td>FINISH</td> <td>-</td> <td></td> </tr> </table>				0 PLC	±		1 PLC	±0.1		2 PLC	±0.01		3 PLC	±0.001		4 PLC	±0.0001		ANGLES	±		FINISH	-	
0 PLC	±																									
1 PLC	±0.1																									
2 PLC	±0.01																									
3 PLC	±0.001																									
4 PLC	±0.0001																									
ANGLES	±																									
FINISH	-																									
		<table border="1"> <tr> <td>NAME</td> <td colspan="5">CLIP HSG FOR 090 MLC (TYPE3)</td> </tr> <tr> <td>SIZE</td> <td>CAGE CODE</td> <td>DRAWING NO</td> <td colspan="3">RESTRICTED TO</td> </tr> <tr> <td>A2</td> <td>00779</td> <td>C-1743455</td> <td colspan="3"></td> </tr> </table>				NAME	CLIP HSG FOR 090 MLC (TYPE3)					SIZE	CAGE CODE	DRAWING NO	RESTRICTED TO			A2	00779	C-1743455						
NAME	CLIP HSG FOR 090 MLC (TYPE3)																									
SIZE	CAGE CODE	DRAWING NO	RESTRICTED TO																							
A2	00779	C-1743455																								