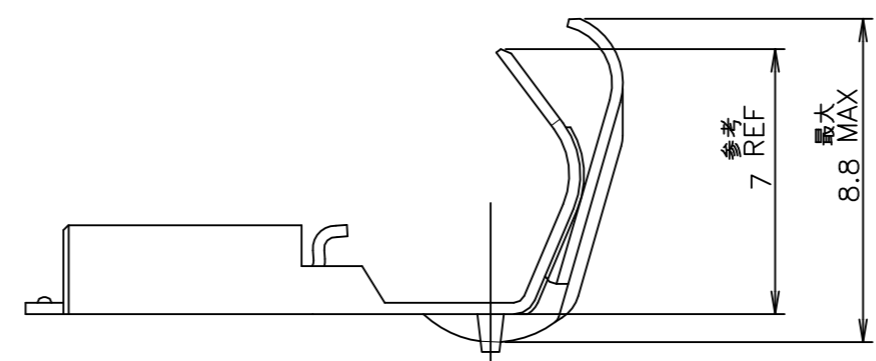
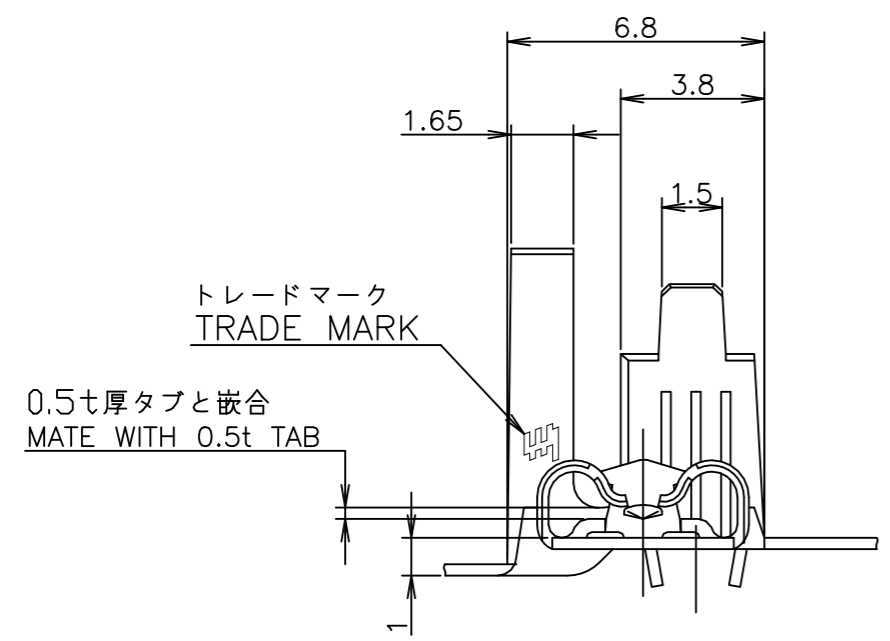
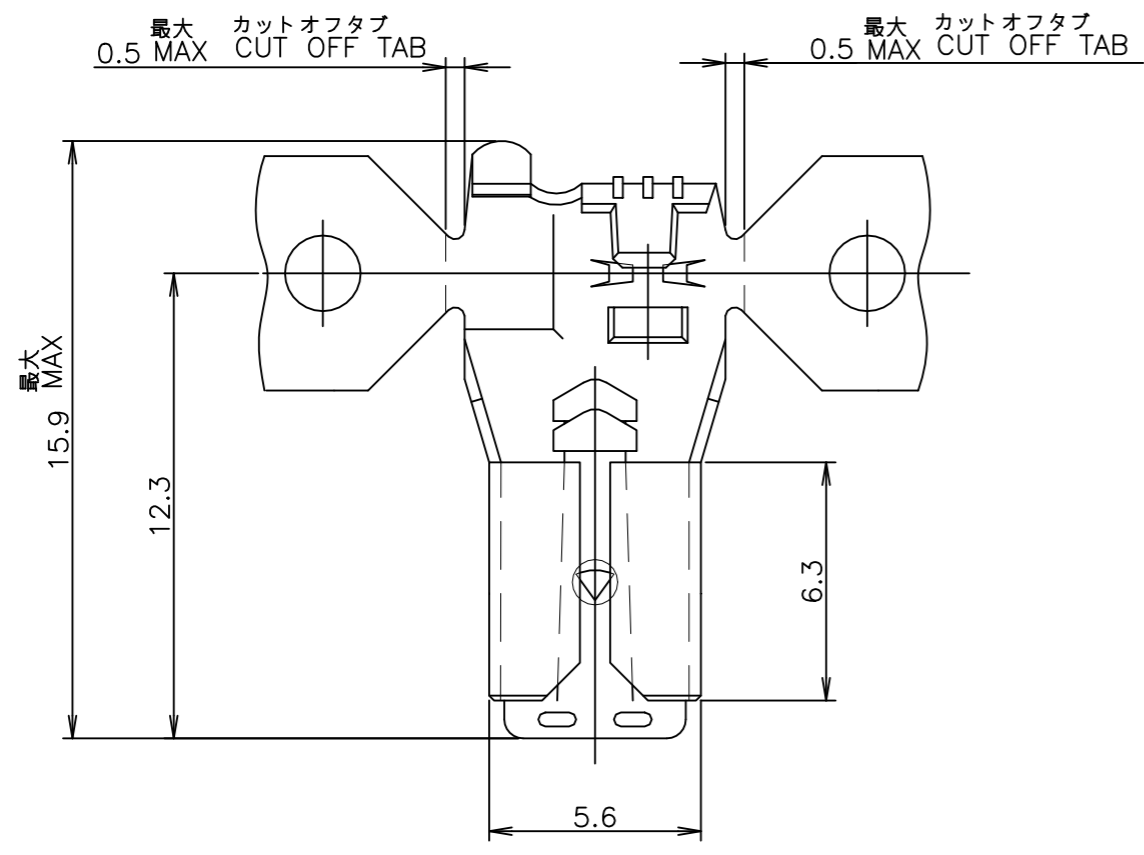


THIS DRAWING IS UNPUBLISHED. RELEASED FOR PUBLICATION JUL ,1999.
 © COPYRIGHT 1999 By - ALL RIGHTS RESERVED.

REVISIONS 変更				
P	LTR	DESCRIPTION	DATE	APVD
	F5	REVISED PER ECR-23-175866	22MAY2023	DB RE

-1; AS SHOWN



1 APPLICABLE SLEEVE P/N: 1717269, 178708

1 適用スリーブ型番: 1717269, 178708

OBSOLETE

PRE TIN HIGH HEAT RESISTANCE COPPER ALLOY 0.3t 錫めっき済み高耐熱銅合金 0.3t	175019-6
PRE TINNED PHOSPHOR BRONZE 0.3t 錫めっき済み磷青銅 0.3t	175019-5
PRE TINNED BRASS 0.3t 錫めっき済み黄銅 0.3t	175019-1
MATERIAL 材質	P/N 型番
WIRE RANGE 抱合電線断面積	AWG #22-#16 0.3~1.42 mm ²
INSULATION DIA 被覆外径	1.5~4.32 mm ϕ

THIS DRAWING IS A CONTROLLED DOCUMENT.

DIMENSIONS: 単位: 耗 mm	TOLERANCES UNLESS OTHERWISE SPECIFIED: 一般公差
	0 PLC ±
	1 PLC ±
	2 PLC ±
	3 PLC ±
4 PLC ±	
ANGLES ±	

GENERAL TOLERANCE 一般公差
10 \geq : ± 0.2
30 \geq > 10: ± 0.25
100 \geq > 30: ± 0.3
ANGLES: $\pm 3^\circ$

MATERIAL 材料	表参照 SEE TABLE
FINISH 仕上	

DWN	M.SUZUKI	07JUL1999
CHK	M.SHINDO	07JUL1999
APVD	M.SHINDO	07JUL1999
PRODUCT SPEC	製品規格	108-5250
APPLICATION SPEC	取付適用規格	114-5118
WEIGHT	0.000000	

TE Connectivity		NAME 名称		187 SERIES FLAG POSITIVE LOCK-EX REC. 187 シリーズ・旗型・ポジティブロック EX リセブタクル	
		SIZE	CAGE CODE	DRAWING NO 番号	RESTRICTED TO
CUSTOMER DRAWING		A3	00779	C-175019	
SCALE 尺度	5:1	SHEET	1 OF 1	REV	F5