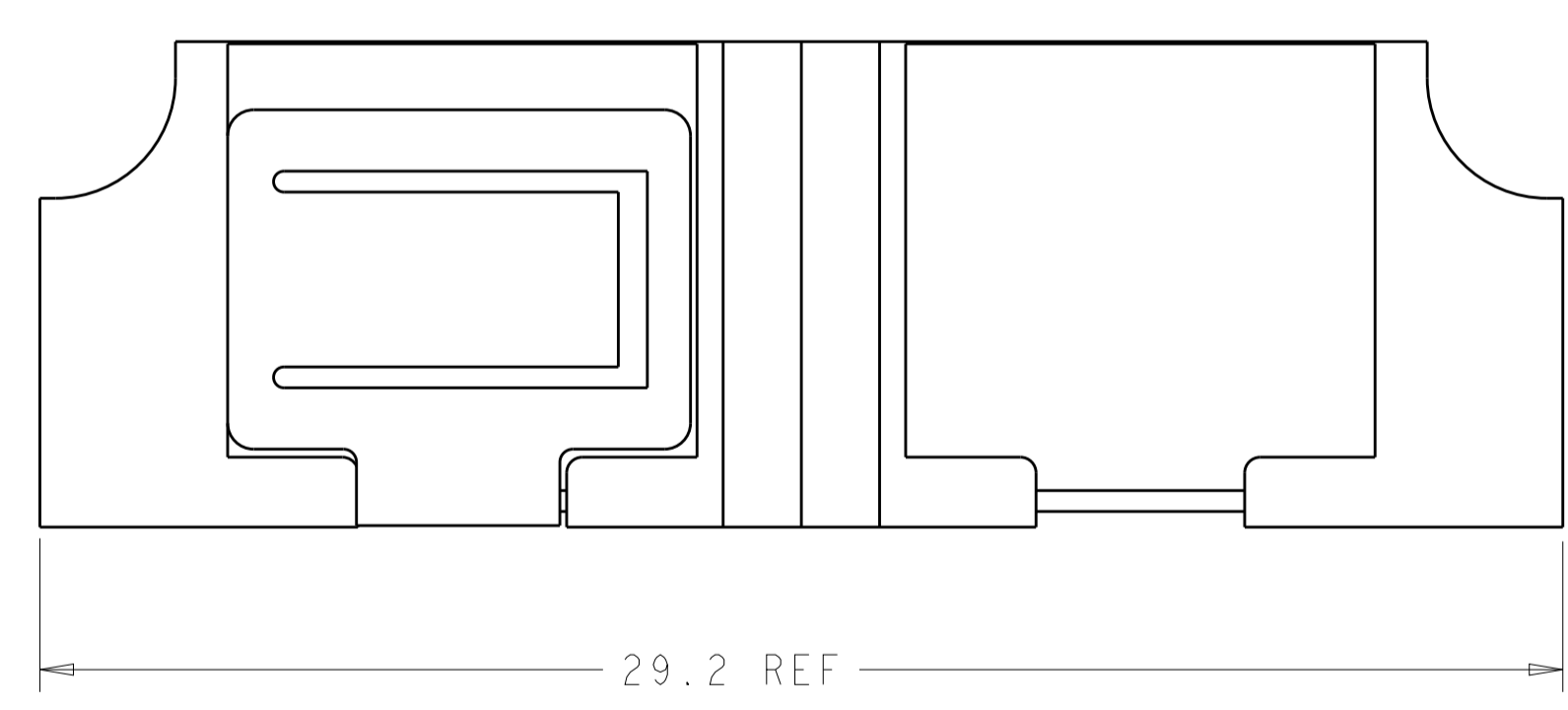
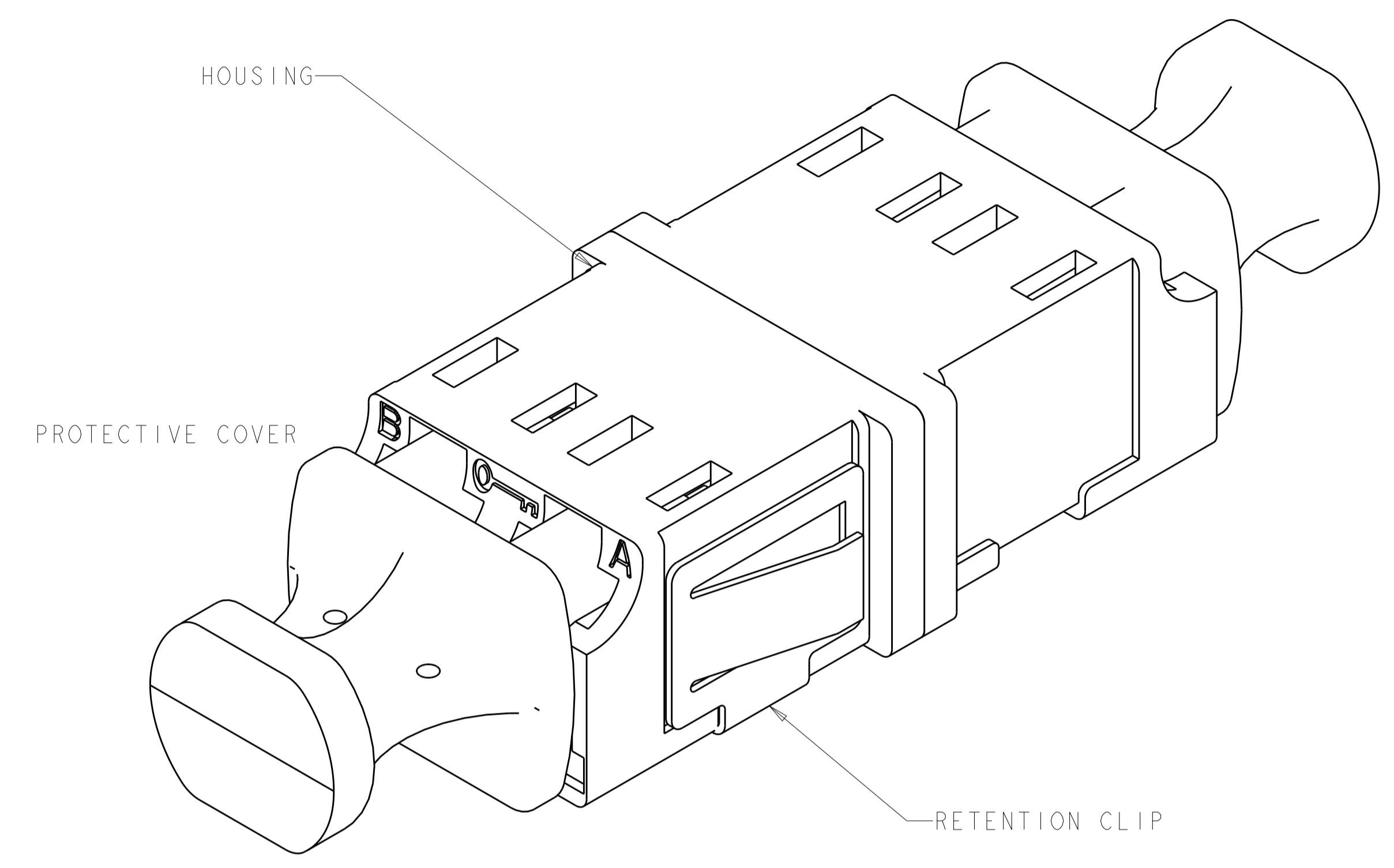
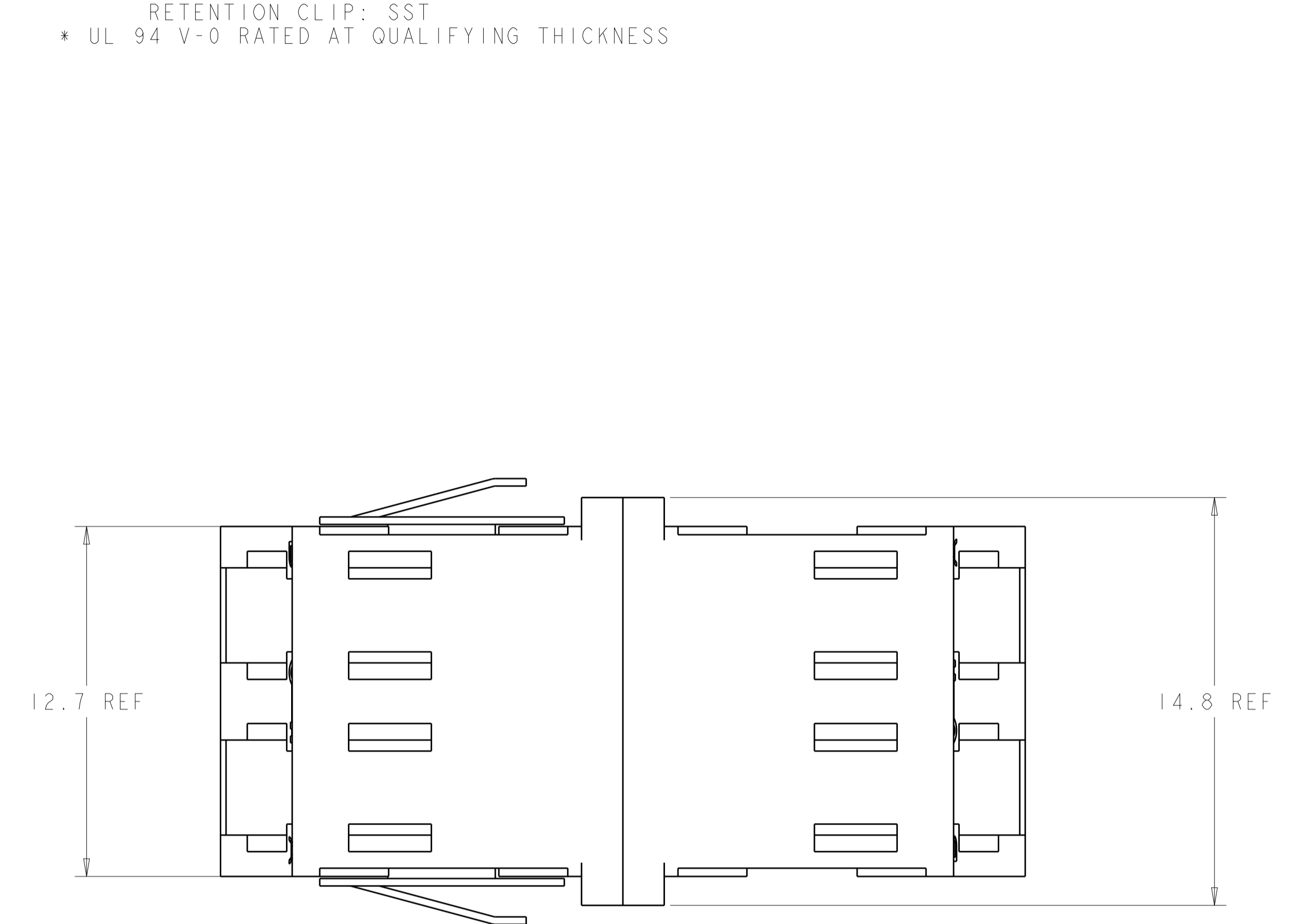
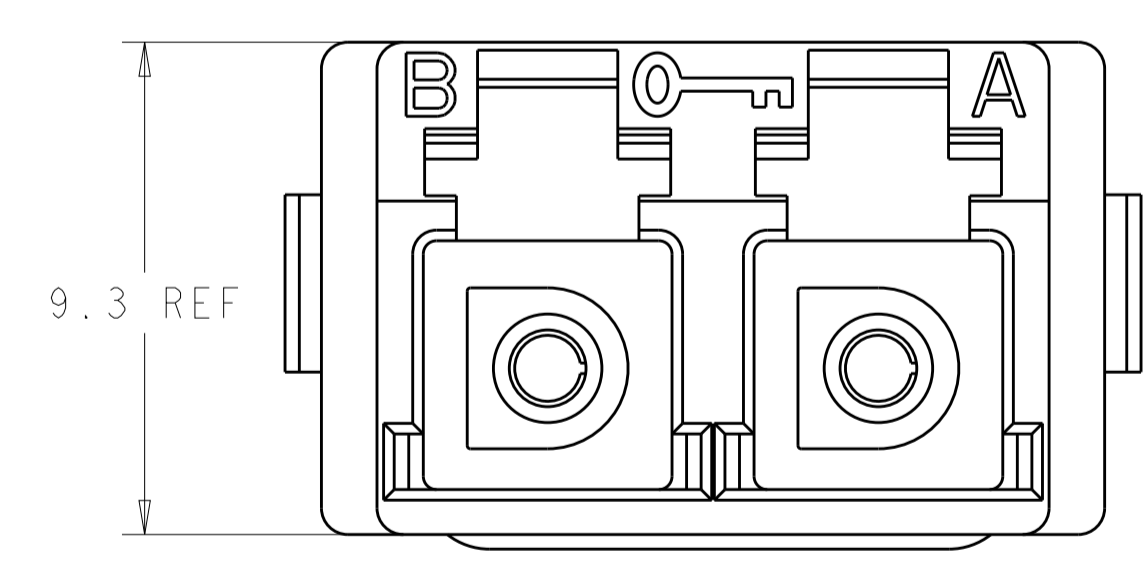


LOC	DIST	REVISIONS			
P	LTN	DESCRIPTION	DATE	DWN	APVD
B1		REVISED PER ECO-11-005027	16MAY2011	RK	HMR
B2		REV; ECO-15-000119	06JAN2015	GG	TE

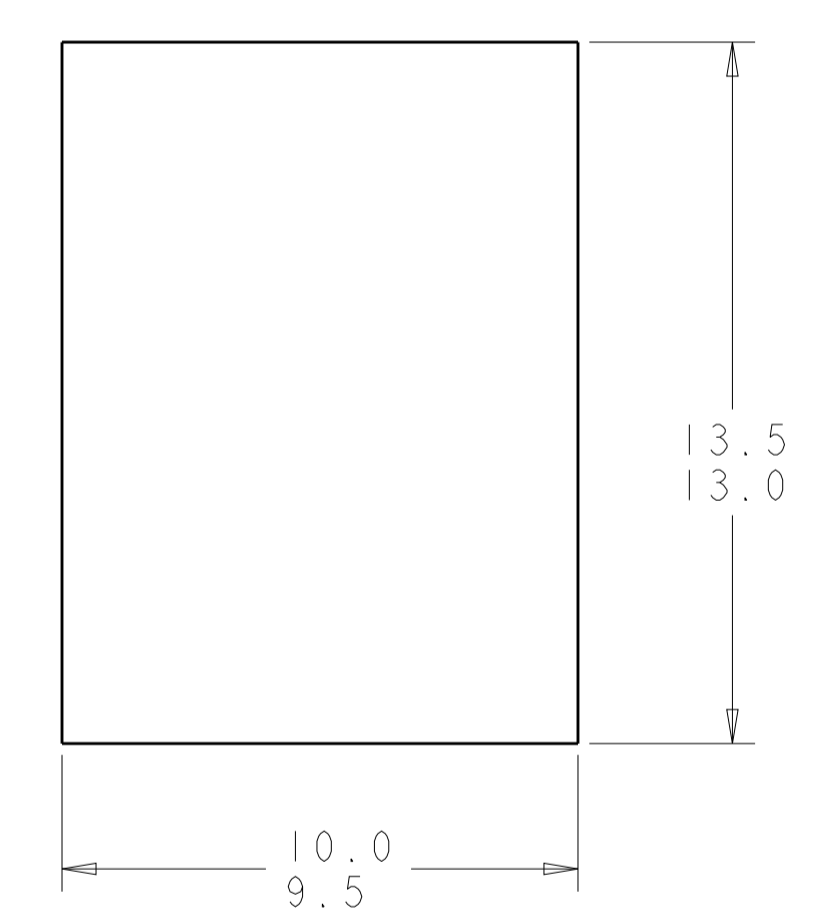
△ MATERIAL:  
 HOUSINGS: THERMOPLASTIC, PPE-PS\*  
 ALIGNMENT SLEEVES: CERAMIC  
 PROTECTIVE COVERS: THERMOPLASTIC ELASTOMER\*  
 RETENTION CLIP: SST  
 \* UL 94 V-0 RATED AT QUALIFYING THICKNESS



PROTECTIVE COVERS  
 NOT SHOWN



(RED -1 SHOWN)



RECOMMENDED PANEL CUTOUT  
 MAX PANEL THK. 1.7

SLATE	I-1828074-0
ORANGE	1828074-9
VIOLET	1828074-8
BROWN	1828074-7
AQUA	1828074-6
ROSE	1828074-5
BLUE	1828074-4
GREEN	1828074-3
YELLOW	1828074-2
RED	1828074-1
HOUSING COLOR	PART NO.

THIS DRAWING IS A CONTROLLED DOCUMENT.

DWN: E. HOPKINS 04AUG2005  
 CHK: D. ERDMAN 04AUG2005  
 APVD: D. BAECHELLE 04AUG2005

DIMENSIONS: mm

TOLERANCES UNLESS OTHERWISE SPECIFIED:	
0 PLC	±
1 PLC	±
2 PLC	±
3 PLC	±
4 PLC	±
ANGLES	±

MATERIAL: △

FINISH: -

WEIGHT: -

Customer Drawing

NAME: LC SECURE ADAPTER ASSEMBLY, FLANGELESS

SIZE: A1 00779

SCALE: 7:1

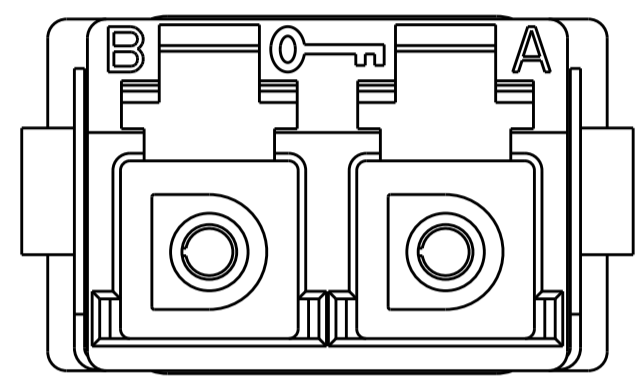
SHEET 1 OF 2

REV: B2

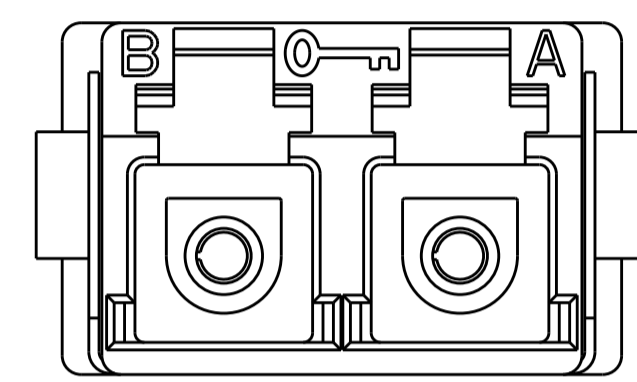
RESTRICTED TO: -

TE Connectivity

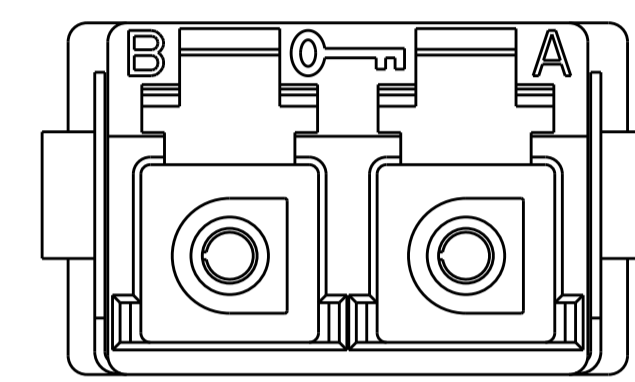
LOC	DIST	REVISIONS			
P	LTN	DESCRIPTION	DATE	DMN	APVD
-	-	SEE SHEET 1	-	-	-



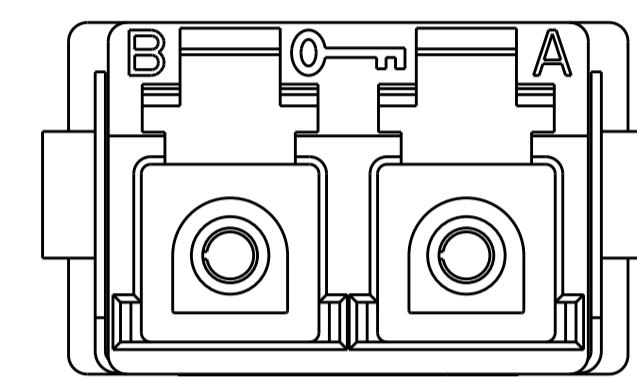
1828074-1  
RED



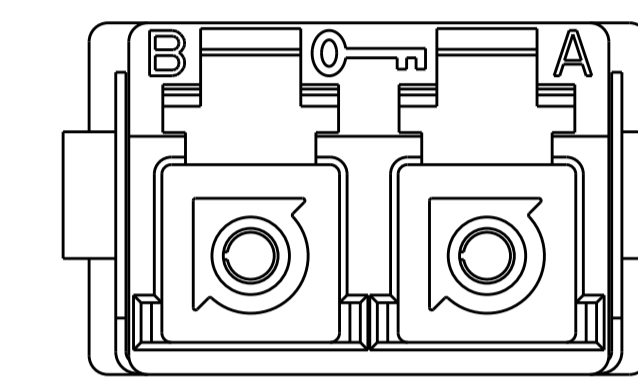
1828074-2  
YELLOW



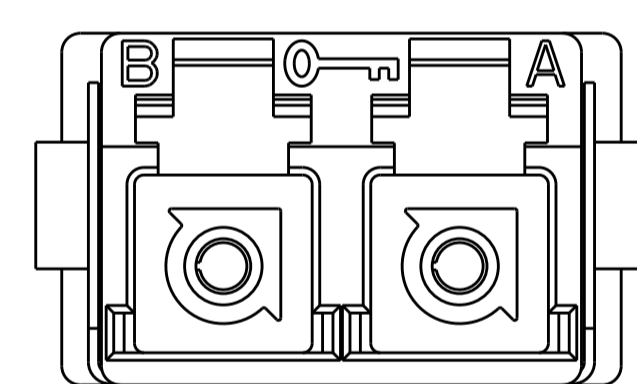
1828074-3  
GREEN



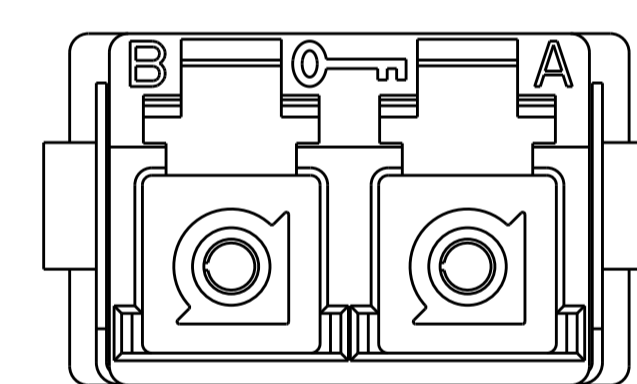
1828074-4  
BLUE



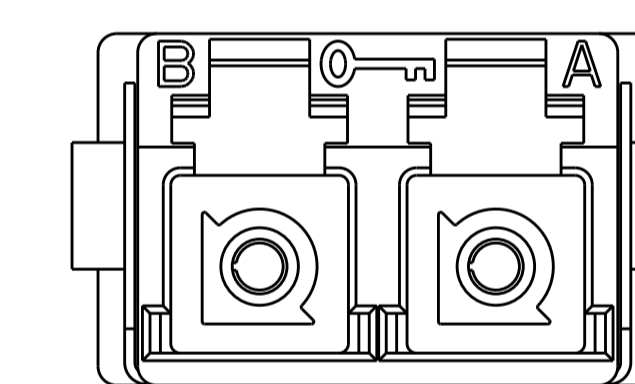
1828074-5  
ROSE



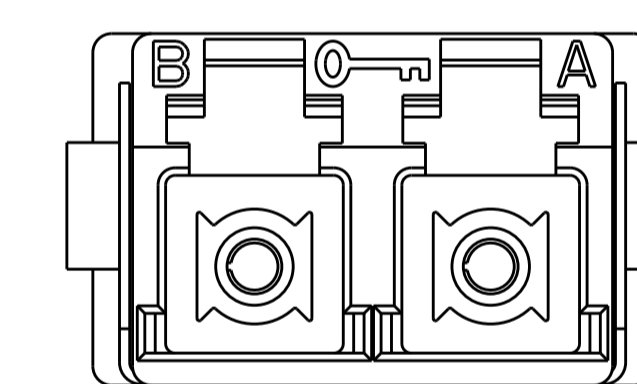
1828074-6  
AQUA



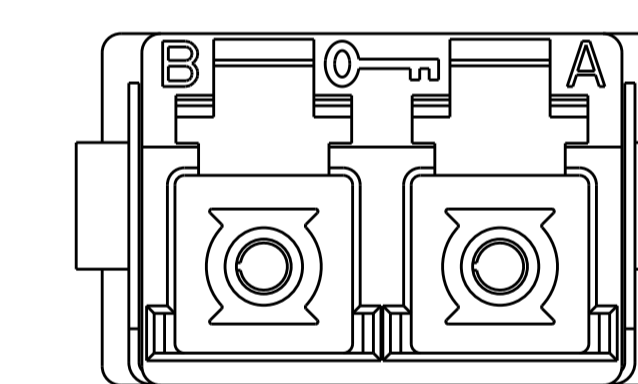
1828074-7  
BROWN



1828074-8  
VIOLET



1828074-9  
ORANGE



1-1828074-0  
SLATE

THIS DRAWING IS A CONTROLLED DOCUMENT.		DMN E. HOPKINS 04AUG2005	
DIMENSIONS:		CHK D. ERDMAN 04AUG2005	
mm	TOLERANCES UNLESS OTHERWISE SPECIFIED:	APVD D. BAECHTLE 04AUG2005	NAME LC SECURE ADAPTER ASSEMBLY, FLANGELESS
	0 PLC ± 1 PLC ± 2 PLC ± 3 PLC ± 4 PLC ± ANGLES ±	PRODUCT SPEC	SIZE A100779C=1828074
MATERIAL	FINISH	APPLICATION SPEC	RESTRICTED TO
-	-	WEIGHT	Customer Drawing
SCALE 5:1		SHEET 2 OF 2	REV B2