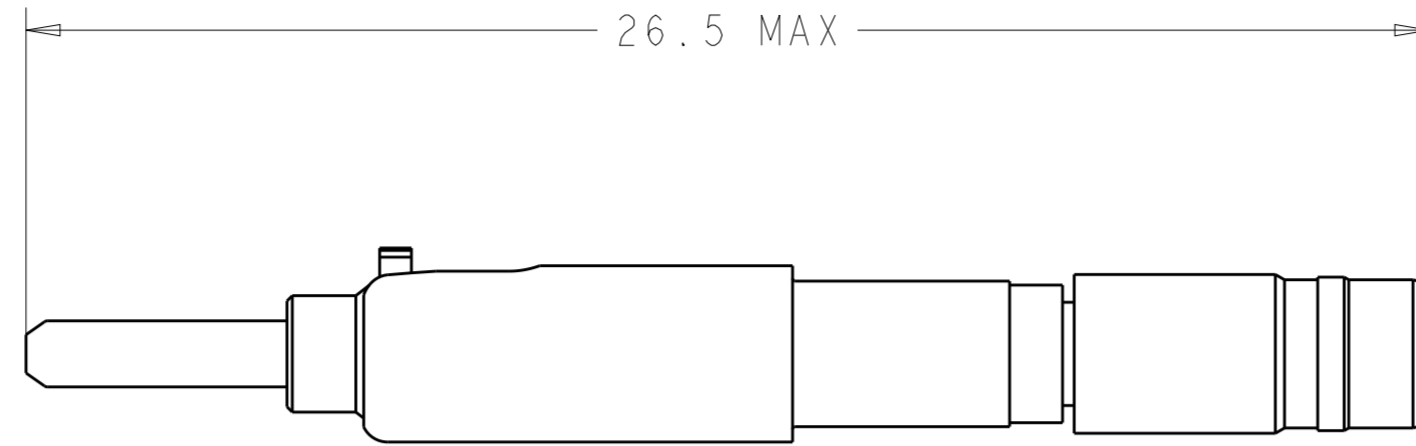
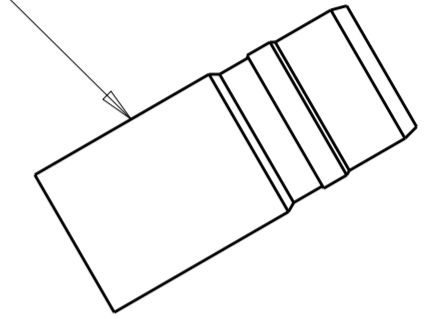


THIS DRAWING IS UNPUBLISHED. RELEASED FOR PUBLICATION 20  
 © COPYRIGHT 20 BY - ALL RIGHTS RESERVED.

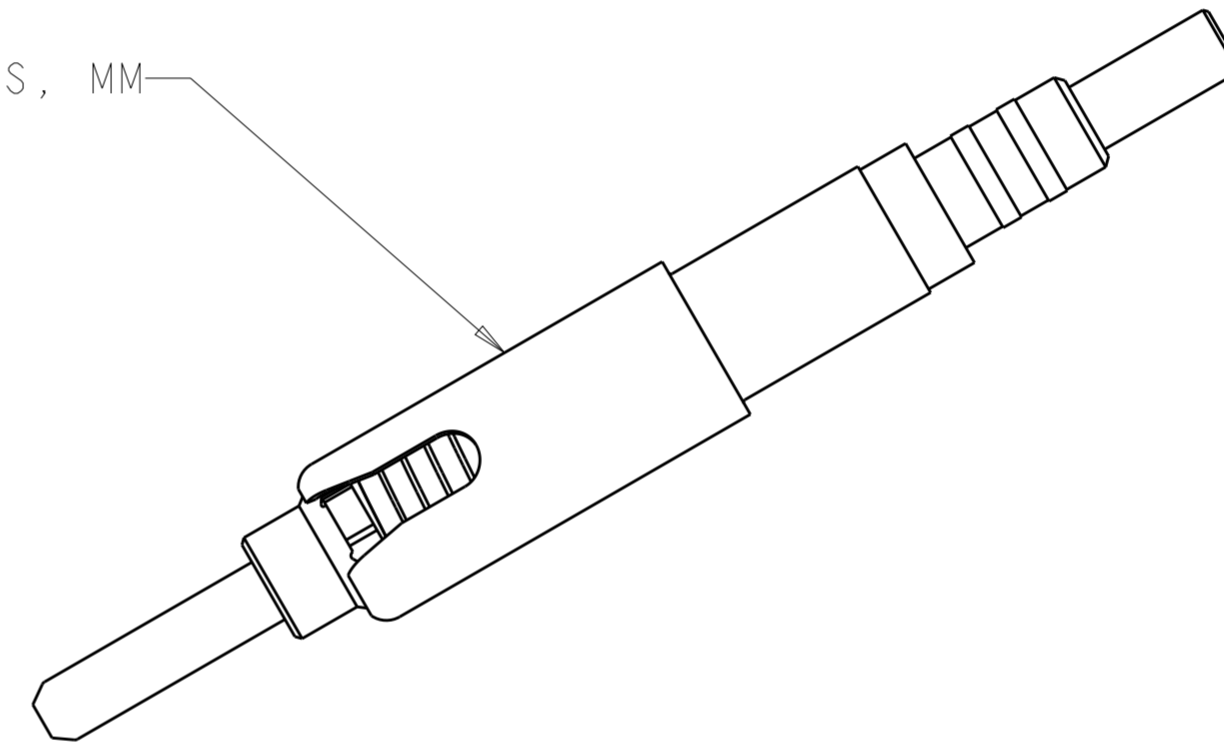
REVISIONS				
P	LTR	DESCRIPTION	DATE	APVD
B		ECR-14-015639	22OCT2014	KG DW



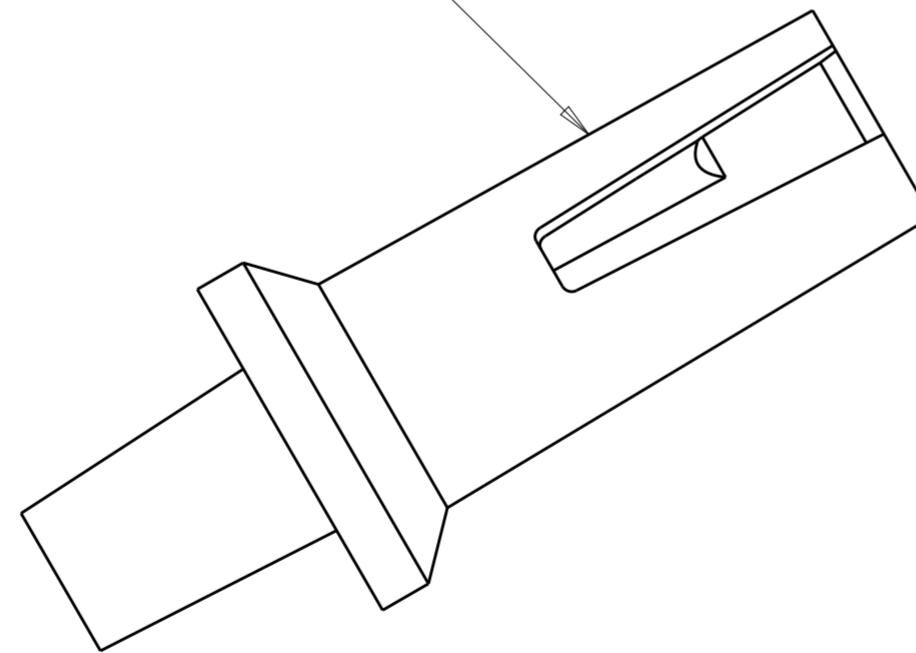
CRIMP SLEEVE



ARINC 801 ML TERMINUS, MM



PROTECTIVE CAP



1828199-1

PART NO.

⚠ MATERIAL:  
 PROTECTIVE COVER: THERMOPLASTIC  
 FERRULE: ZIRCONIA  
 FERRULE BASE: NICKEL PLATED COPPER ALLOY  
 INDEXED COVER: NICKEL PLATED COPPER ALLOY  
 CRIMP SLEEVE: NICKEL PLATED COPPER ALLOY  
 SPRING: STAINLESS STEEL

THIS DRAWING IS A CONTROLLED DOCUMENT.		DWN E. HOPKINS 21FEB2005	<b>TE Connectivity</b>																						
DIMENSIONS: mm		CHK D. ROHDE 21FEB2005																							
TOLERANCES UNLESS OTHERWISE SPECIFIED:		APVD B. EDWARDS 21FEB2005	NAME ARINC 801 TERMINUS KIT, ML, MM																						
<table border="0"> <tr><td>0 PLC</td><td>±</td><td>-</td></tr> <tr><td>1 PLC</td><td>±</td><td>-</td></tr> <tr><td>2 PLC</td><td>±</td><td>-</td></tr> <tr><td>3 PLC</td><td>±</td><td>-</td></tr> <tr><td>4 PLC</td><td>±</td><td>-</td></tr> <tr><td>ANGLES</td><td></td><td>±</td></tr> <tr><td>FINISH</td><td></td><td>-</td></tr> </table>		0 PLC	±	-	1 PLC	±	-	2 PLC	±	-	3 PLC	±	-	4 PLC	±	-	ANGLES		±	FINISH		-	PRODUCT SPEC -	APPLICATION SPEC -	RESTRICTED TO -
0 PLC	±	-																							
1 PLC	±	-																							
2 PLC	±	-																							
3 PLC	±	-																							
4 PLC	±	-																							
ANGLES		±																							
FINISH		-																							
MATERIAL	⚠	WEIGHT -	SIZE A200779	CAGE CODE C-1828199																					
Customer Drawing			SCALE 2:1	SHEET 1 OF 1																					