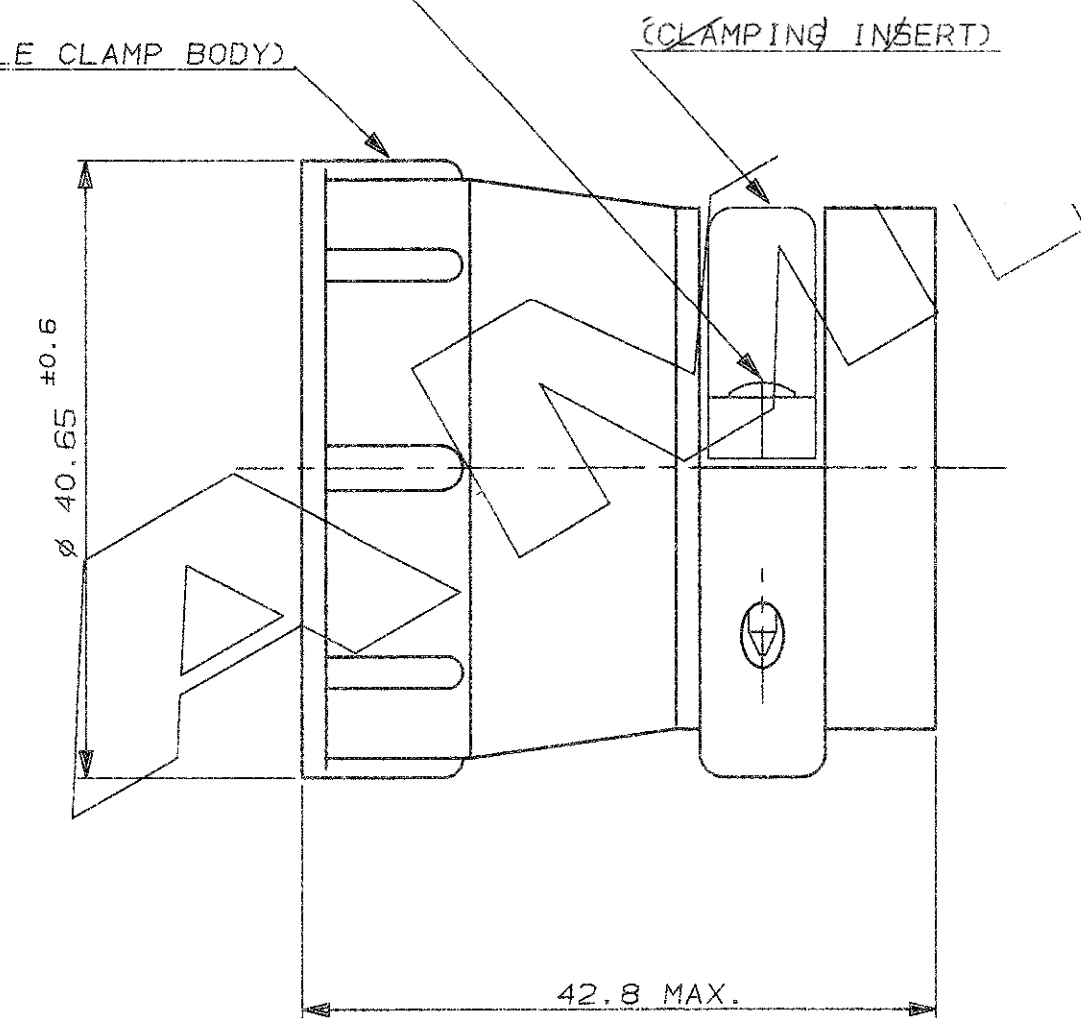
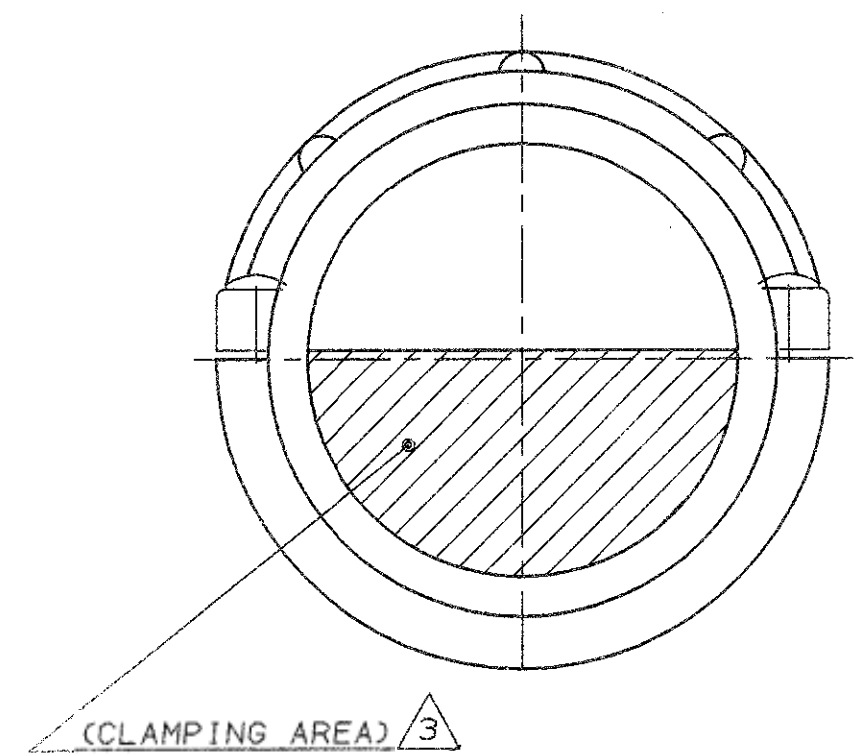


#5-20 SELF-TAPPING SCREWS, ZINC PL. STEEL (Q. TY 2)

CORPO CORAZZA (CABLE CLAMP BODY)

(CLAMPING INSERT)



1. MATERIAL: BLACK THERMOPLASTIC RATED F1 FOR OUTDOOR SUITABILITY PER UL 946C.
2. PARTS PACKAGED UNASSEMBLED IN A PLASTIC BAG
3. CABLE CLAMPING AREA ADJUSTABLE FROM 168.38 TO 368.38 mm² (.261 TO .571 in²) BY SELECTING AND REVERSING CLAMPING INSERTS
4. Ø28.58 (1.125) MAXIMUM CABLE OUTSIDE DIAMETER

AS SHOWN 182930-1

		CUSTOMER DRAWING FOR REFERENCE ONLY		DISEGNO PER CLIENTE SOLO PER RIFERIMENTO	
		THIS DRAWING IS UNPUBLISHED		RELEASE FOR PUBLICATION 19	
		© COPYRIGHT 19 BY AMP INCORPORATED, HARRISBURG, PA. ALL INTERNATIONAL RIGHT RESERVED. AMP PRODUCTS MAY BE COVERED BY U.S. AND FOREIGN PATENT AND/OR PATENT PENDING			
		TOLLERANZE: SE NON DIVERSAMENTE SPECIFICATO (TOLERANCES: UNLESS OTHERWISE SPECIFIED)		DIAM. ISOLANTE (INS. DIA. RANGE) RANGO FILO (WIRE RANGE) SCALA (SCALE)	
		± 0.3		-	
		± 2°		-	
D ECN-22-137327		RK MZ 02FEB 2022		ANGOLI (ANGLES)	
C2 REVISED PER ECO-09-026346		KK AEG 28NOV 09		DTS. (DR.)	
C1 Changed screw according to RoHS ECR7789		AV. 28/07/05		C. CORDOLA 22 JUNE 91	
B ADDED DASH R700-0139-94		23-5-94		DESCRIZIONE (DESCRIPTION)	
A RELEASED		C. C. 10-91		C.P.C. CABLE CLAMP KIT, SIZE 23 (LARGE)	
REV. (REVISION RECORD)		DIS. DATA (DR)		LOC. SIZE NUMERO (DWS. NO.)	
				I A3 C - 182930	
				REV. (REV.)	
				FOGLIO (SHEET) 1 D1 (OF) 1	

DISTRIBUZIONE (PRINT DIST.)