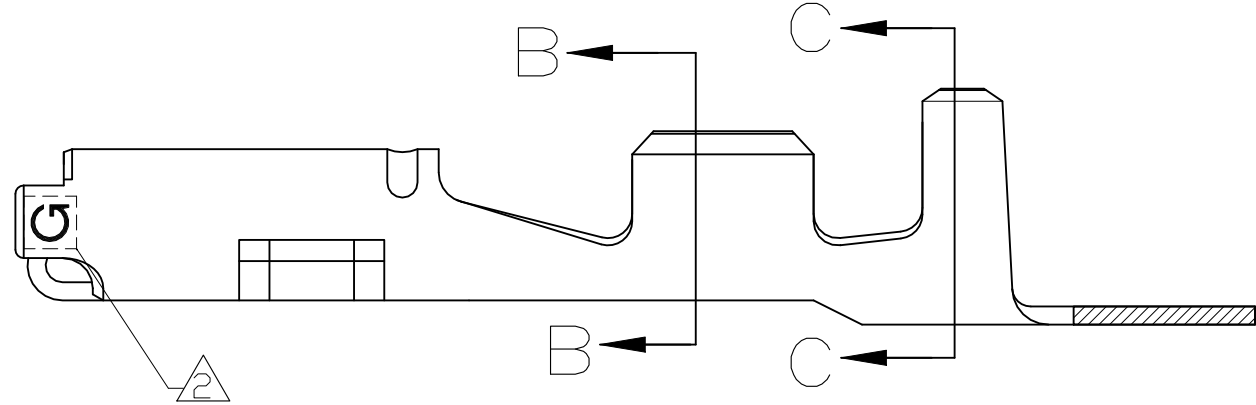
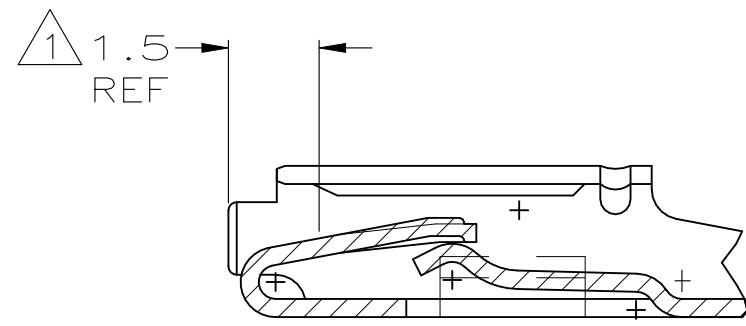
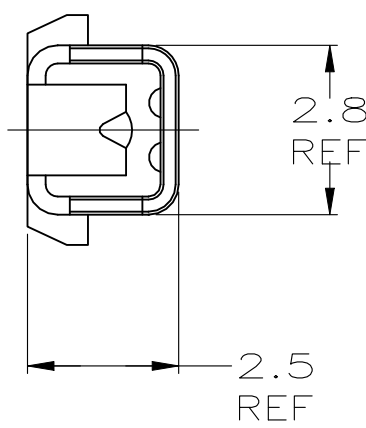
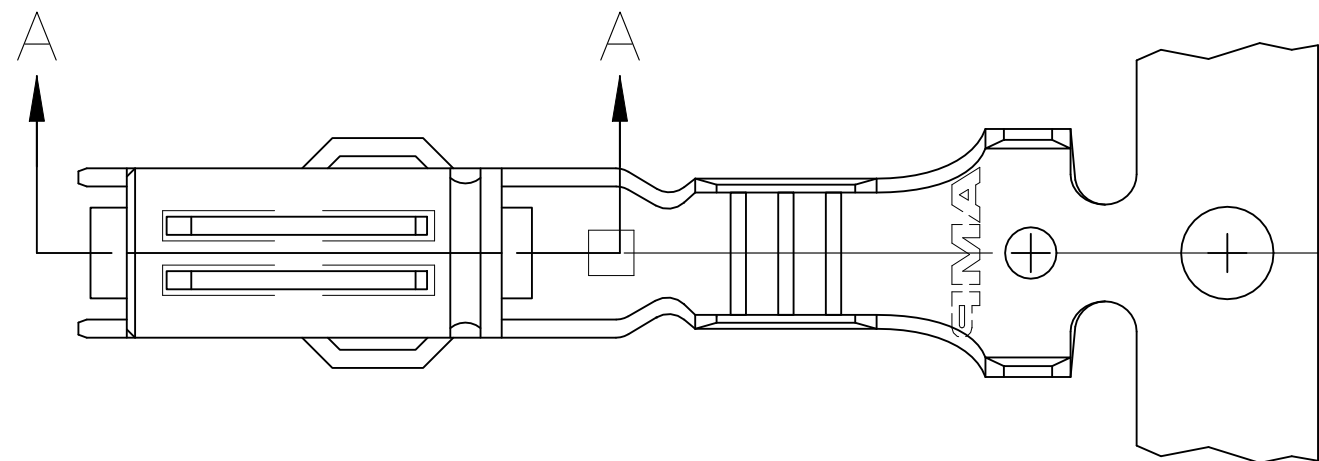


P	LTR	DESCRIPTION	DATE	DWN	APVD
	B1	REV PER ECN-24-271487	20JUN2024	SMR	CL

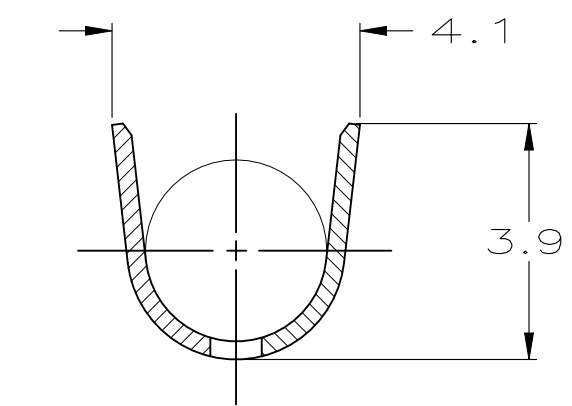
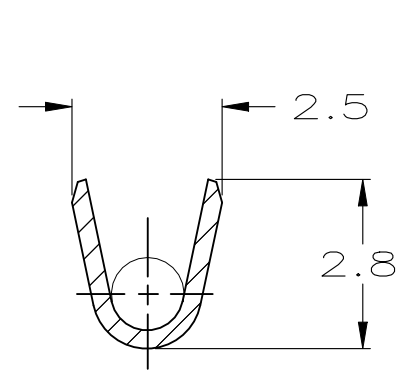
① NYE FLUOROETHER GREASE

② FOR GOLD PLATED PART ONLY - AT LEAST ONE "G" INDICATOR MUST BE VISIBLE IN THIS LOCATION ON EITHER SIDE INDICATING GOLD PLATED CONTACT



SECTION A-A
SCALE 8:1

SELECT GOLD	1.2 - 2.1 ϕ	AVS 0.3 - 1.0mm (#22 - #18 AWG)	1-184373-1
TIN	1.2 - 2.1 ϕ	AVS 0.3 - 1.0mm ² (#22 - #18 AWG)	184373-2
SELECT GOLD	1.2 - 2.1 ϕ	AVS 0.3 - 1.0mm ² (#22 - #18 AWG)	184373-1
FINISH	INSULATION DIAMETER	WIRE RANGE	PART NUMBER



SECTION B-B

SECTION C-C

THIS DRAWING IS A CONTROLLED DOCUMENT.

DWN	P. COLLINS	8-14-00	STE TE Connectivity
CHK	M. HUDDLESTON	8-14-00	
APVD	M. HUDDLESTON	8-14-00	
PRODUCT SPEC	NAME		
APPLICATION SPEC	CONTACT, RECEPTACLE, .070		
WEIGHT	-	SIZE	A3
MATERIAL		CAGE CODE	00779
PH BRZ (0.3 THK)		DRAWING NO	C-184373
FINISH		RESTRICTED TO	-
TOLERANCES UNLESS OTHERWISE SPECIFIED:		SCALE	8:1
0 PLC ± -		SHEET	1 OF 1
1 PLC ± 0.3		REV	B1
2 PLC ± -		CUSTOMER DRAWING	
3 PLC ± -			
4 PLC ± -			
ANGLES ± 2°			