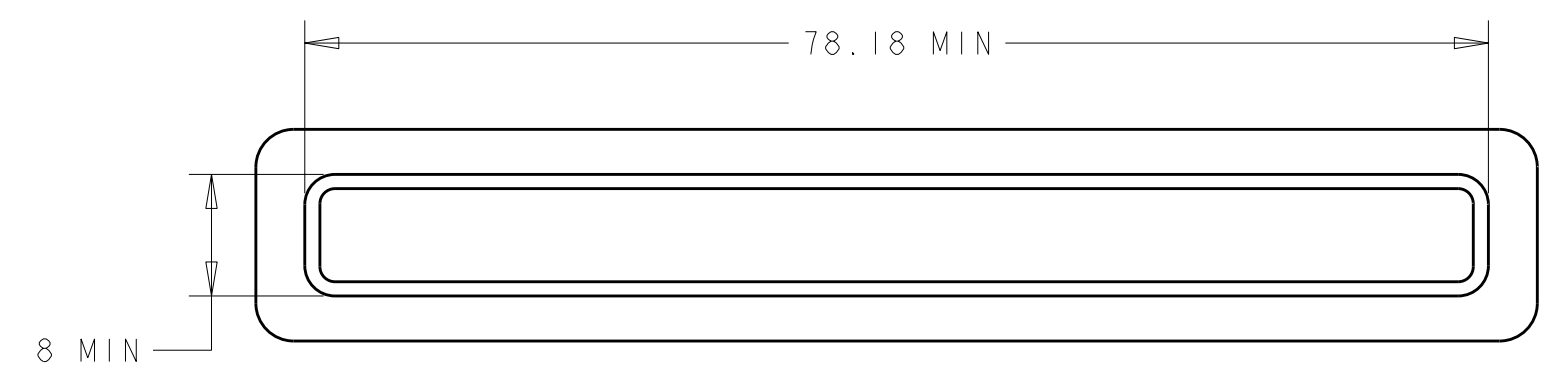
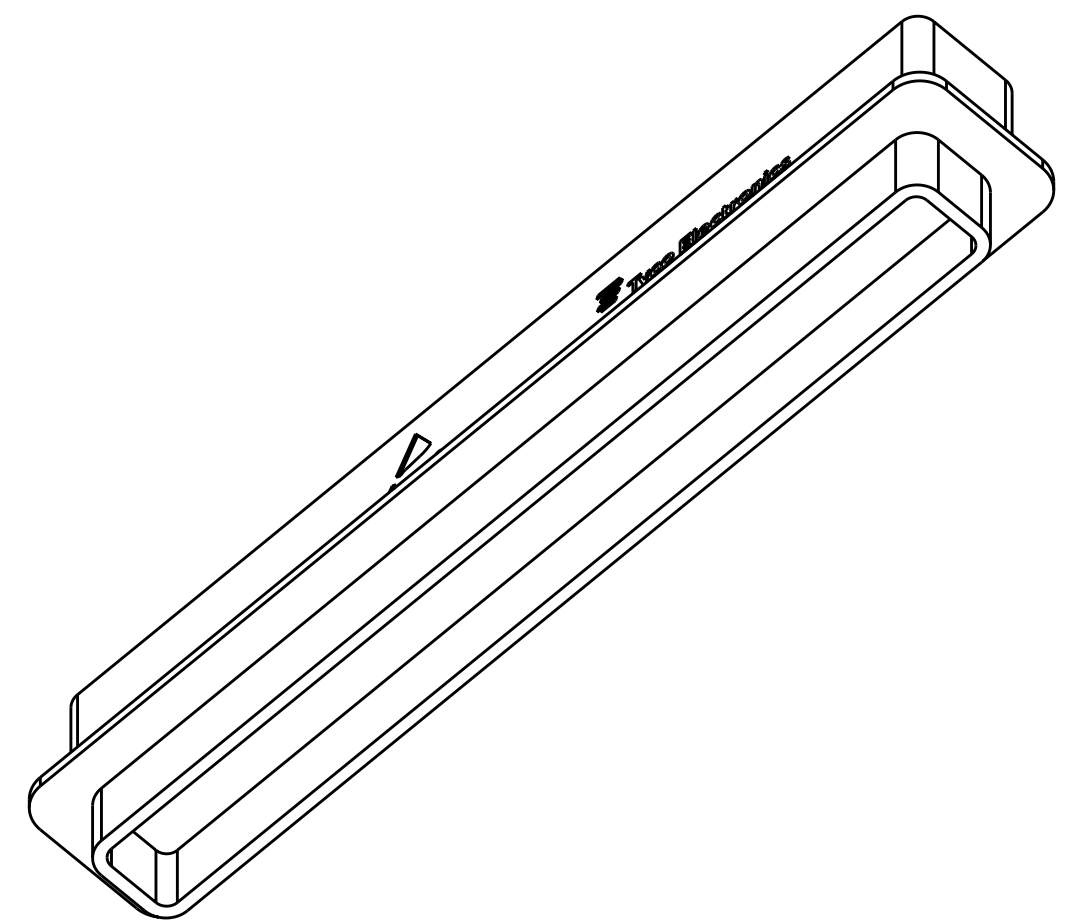
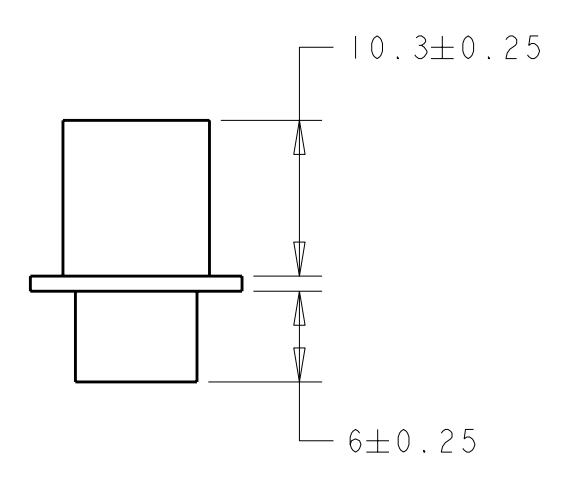
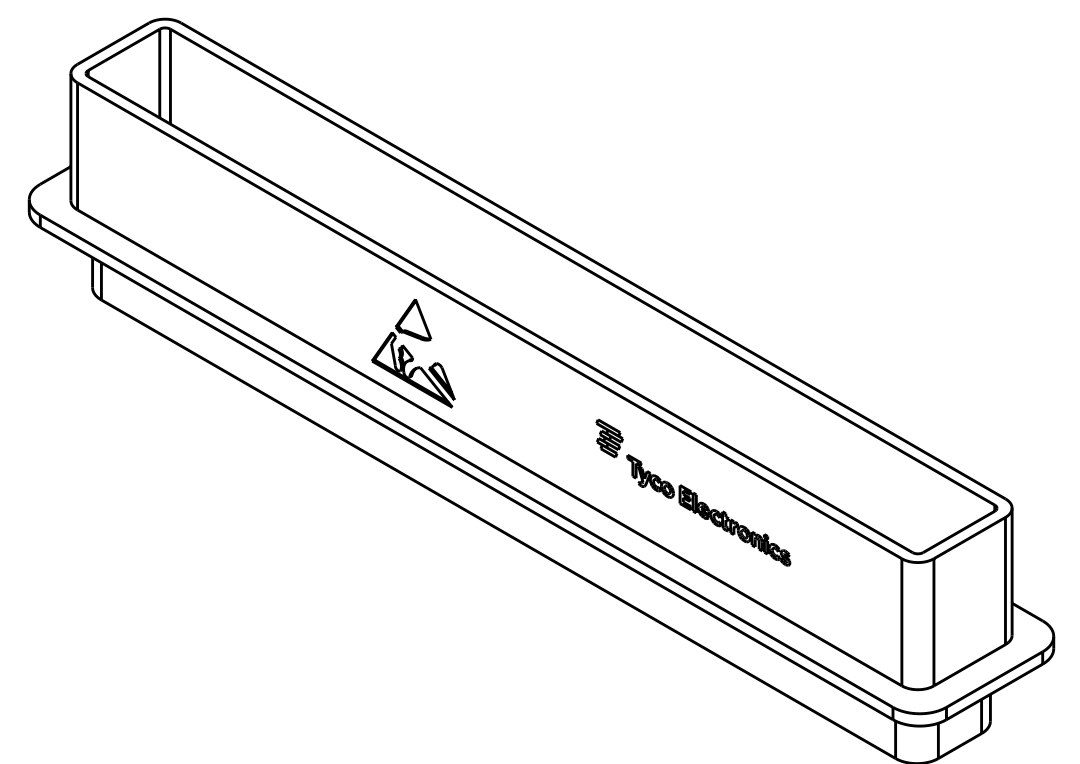
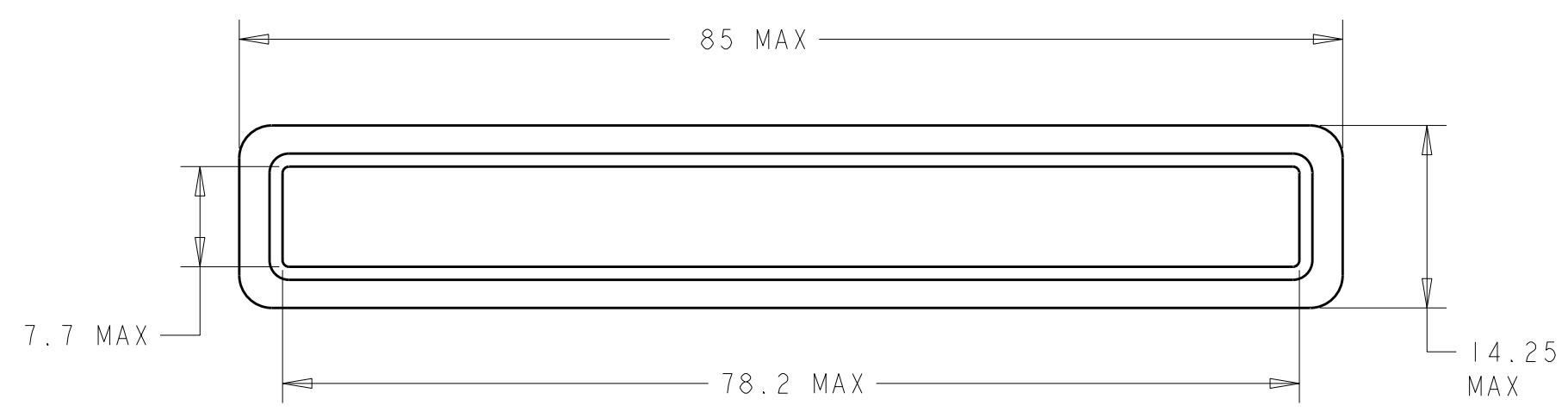


THIS DRAWING IS UNPUBLISHED. RELEASED FOR PUBLICATION 20
 © COPYRIGHT 20 BY TYCO ELECTRONICS CORPORATION. ALL RIGHTS RESERVED.

REVISIONS							
LOC	DIST	P	LTR	DESCRIPTION	DATE	DWN	APVD
-	-	A		RELEASED PER ECO-09-013817	08JUL2009	RCF	JM
		B		REVISED PER ECO-09-017961	30JUL2009	RCF	JM



ANTI-STATIC THERMOPLASTIC ELASTOMER PER ASTM D5593, COLOR: BLACK.

1877519-1
PART NUMBER

<small>THIS DRAWING IS A CONTROLLED DOCUMENT FOR TYCO ELECTRONICS CORPORATION. IT IS SUBJECT TO CHANGE AND THE CONTROLLING ENGINEERING ORGANIZATION SHOULD BE CONTACTED FOR THE LATEST REVISION.</small>		DWN	BH	22NOV2005	Tyco Electronics Harrisburg, PA 17105-3608	
DIMENSIONS: mm		CHK	JPM	22NOV2005		
		APVD	JPM	22NOV2005		
TOLERANCES UNLESS OTHERWISE SPECIFIED: 0 PLC ±0.15 1 PLC ±0.1 2 PLC ±0.05 3 PLC ± 4 PLC ± ANGLES ± FINISH		PRODUCT SPEC	108-2247			
MATERIAL		APPLICATION SPEC	114-13192		NAME	DUST COVER, 24 POSITION
		WEIGHT	-		SIZE	A200779
		CUSTOMER DRAWING			CAGE CODE	C-1877519
		SCALE	2:1		DRAWING NO	1877519-1
		SHEET	1 OF 1		RESTRICTED TO	-
		REV	B			