

THIS DRAWING IS UNPUBLISHED. RELEASED FOR PUBLICATION - N/A .
 © COPYRIGHT N/A By - ALL RIGHTS RESERVED.

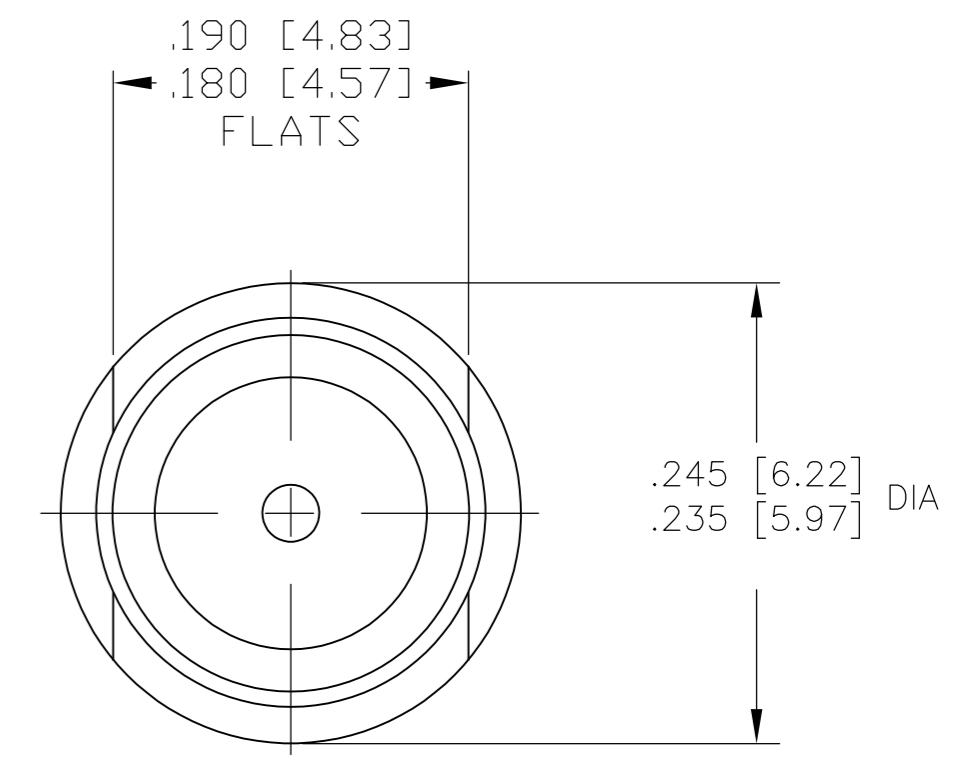
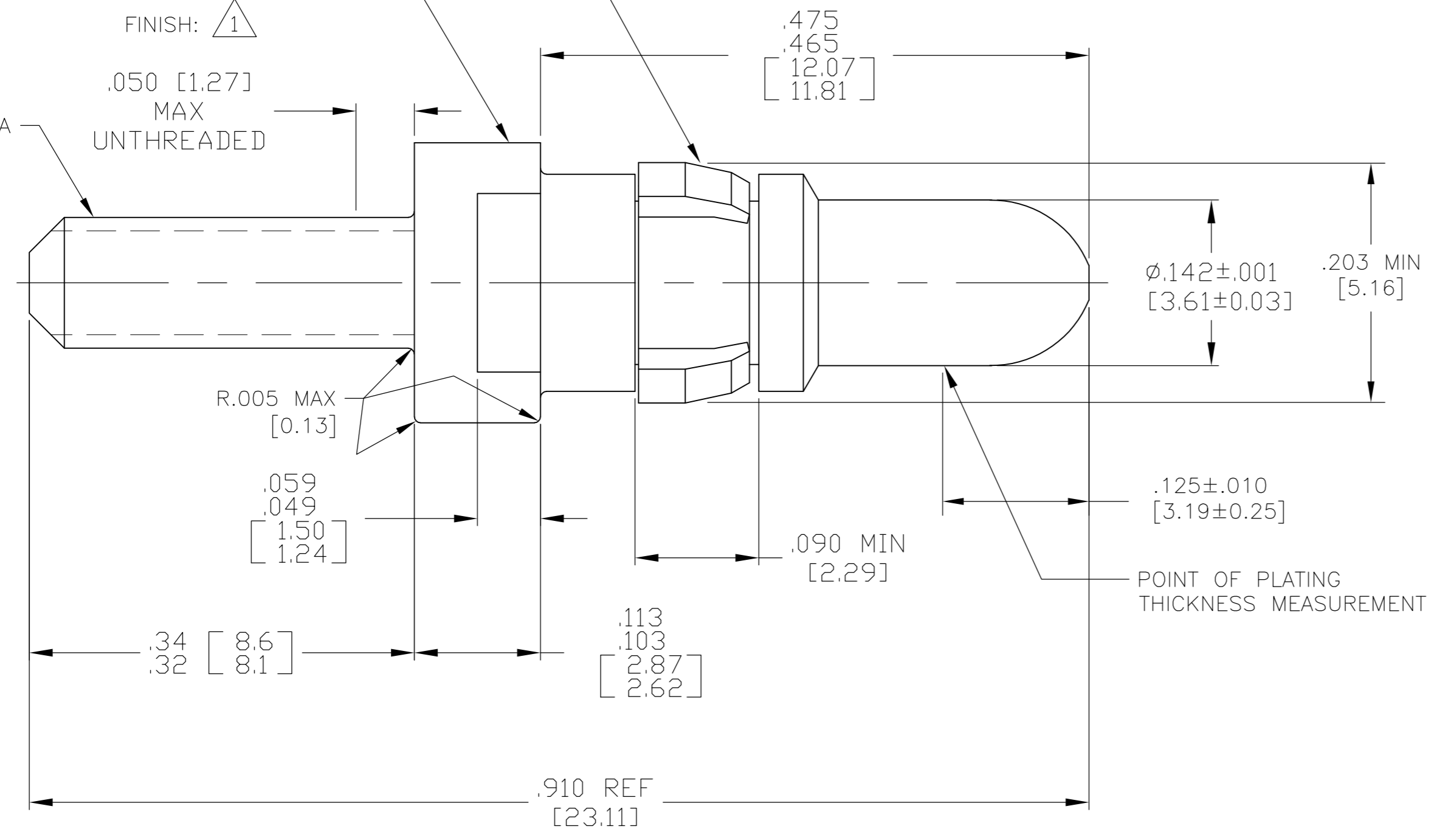
REVISIONS				
P	LTR	DESCRIPTION	DATE	APVD
A		REV PER ECO 17-001528	2-24-06	CT DM

1 FINISH: PLATED GOLD .000050 [0.00127] MIN THK PER ASTM-B488 OVER NICKEL .000050 [0.00127] MIN THK PER QQ-N-290.

RETENTION CLIP
 MAT'L: PHOS BRONZE OR BERYLLIUM COPPER
 FINISH: NICKELPLATED PER QQ-N-290

PIN BODY
 MAT'L; COPPER ALLOY
 FINISH: 1

4-40UNC-2A
 .050 [1.27] MAX
 UNTHREADED



1883078-1
 PART NO.

THIS DRAWING IS A CONTROLLED DOCUMENT.		DWN C.C.THOMAS 2-24-06																				
DIMENSIONS: INCHES		CHK D.MILLER 2-25-06																				
TOLERANCES UNLESS OTHERWISE SPECIFIED:		APVD D.MILLER 2-24-06	NAME ASSEMBLY, PIN CONTACT POWER VIII, THREADED																			
<table border="0"> <tr><td>0 PLC</td><td>±</td><td>-</td></tr> <tr><td>1 PLC</td><td>±</td><td>-</td></tr> <tr><td>2 PLC</td><td>±</td><td>-</td></tr> <tr><td>3 PLC</td><td>±</td><td>.005 [0.13]</td></tr> <tr><td>4 PLC</td><td>±</td><td>-</td></tr> <tr><td>ANGLES</td><td></td><td>± -</td></tr> </table>		0 PLC	±	-	1 PLC	±	-	2 PLC	±	-	3 PLC	±	.005 [0.13]	4 PLC	±	-	ANGLES		± -	PRODUCT SPEC -	SIZE A2	CAGE CODE 00779
0 PLC	±	-																				
1 PLC	±	-																				
2 PLC	±	-																				
3 PLC	±	.005 [0.13]																				
4 PLC	±	-																				
ANGLES		± -																				
MATERIAL SEE CALLOUTS		FINISH SEE CALLOUTS	WEIGHT 0.000000	DRAWING NO 1883078																		
		CUSTOMER DRAWING	SCALE 10:1	SHEET 1 of 1																		
			RESTRICTED TO -	REV A																		