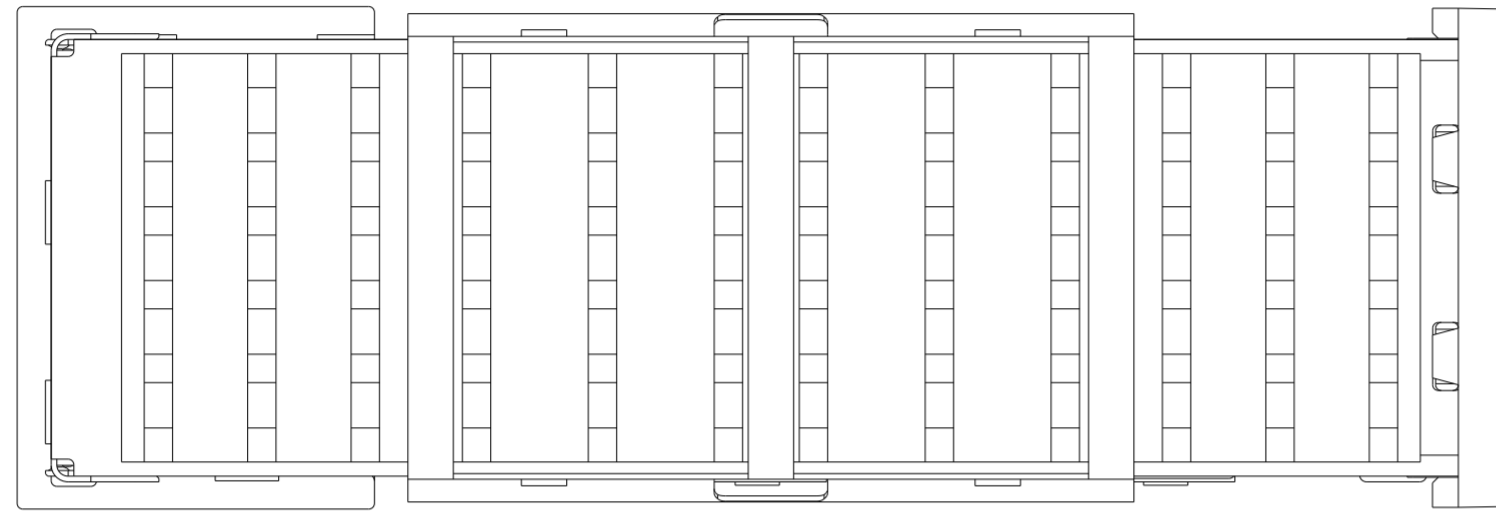
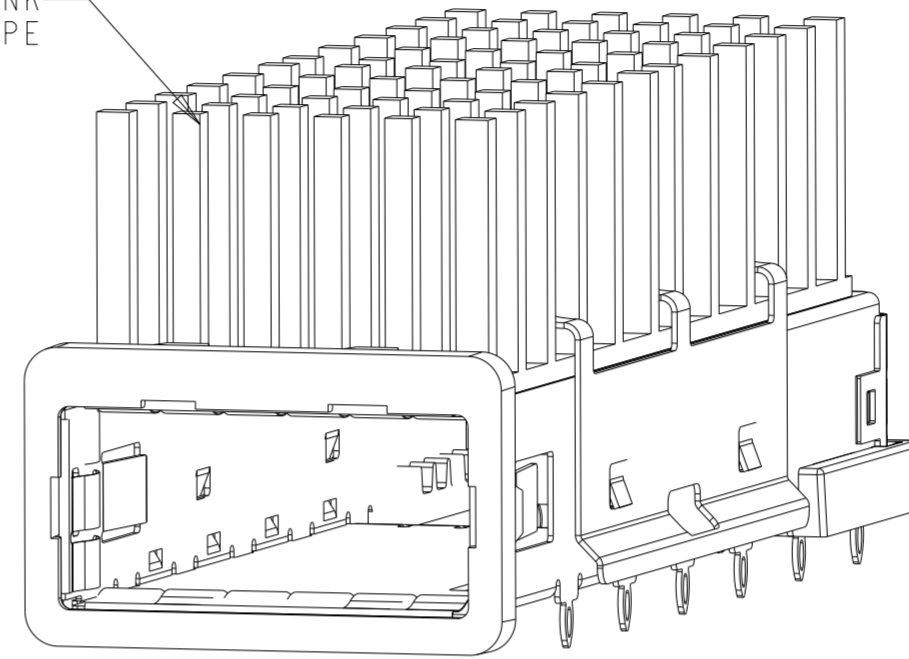


THIS DRAWING IS UNPUBLISHED. RELEASED FOR PUBLICATION 20
 © COPYRIGHT 20 BY - ALL RIGHTS RESERVED.

LOC	DIST	REVISIONS					
GP	00	P	LTR	DESCRIPTION	DATE	DWN	APVD
			DI	REVISED PER ECR-17-012071	17AUG2017	IT	SH
			E	REVISED PER ECO-19-018836	12OCT2019	JY	SH
			EI	REVISED PER ECR-24-198430	13JUN2024	R.S	W.H



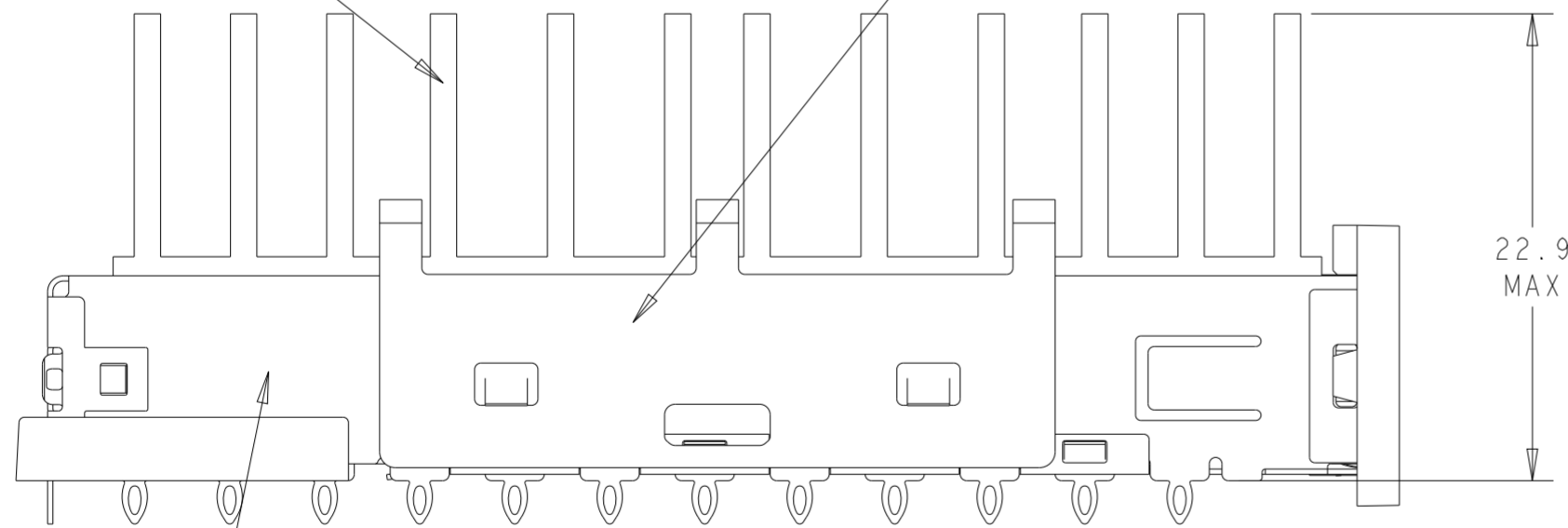
XFP HEAT SINK
PIN TYPE



EI

1888065-1
SCALE 3:1

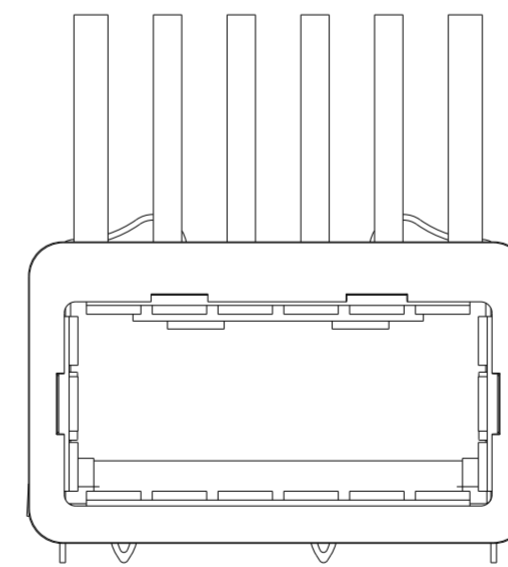
XFP HEAT SINK XFP HEAT SINK CLIP



22.9
MAX

XFP CAGE ASSEMBLY

EI



NOTE

- MATES WITH XFP MSA COMPLIANT TRANSCEIVERS.
- SEE COMPONENT DRAWINGS FOR COMPONENT DIMENSIONS AND INFORMATION.

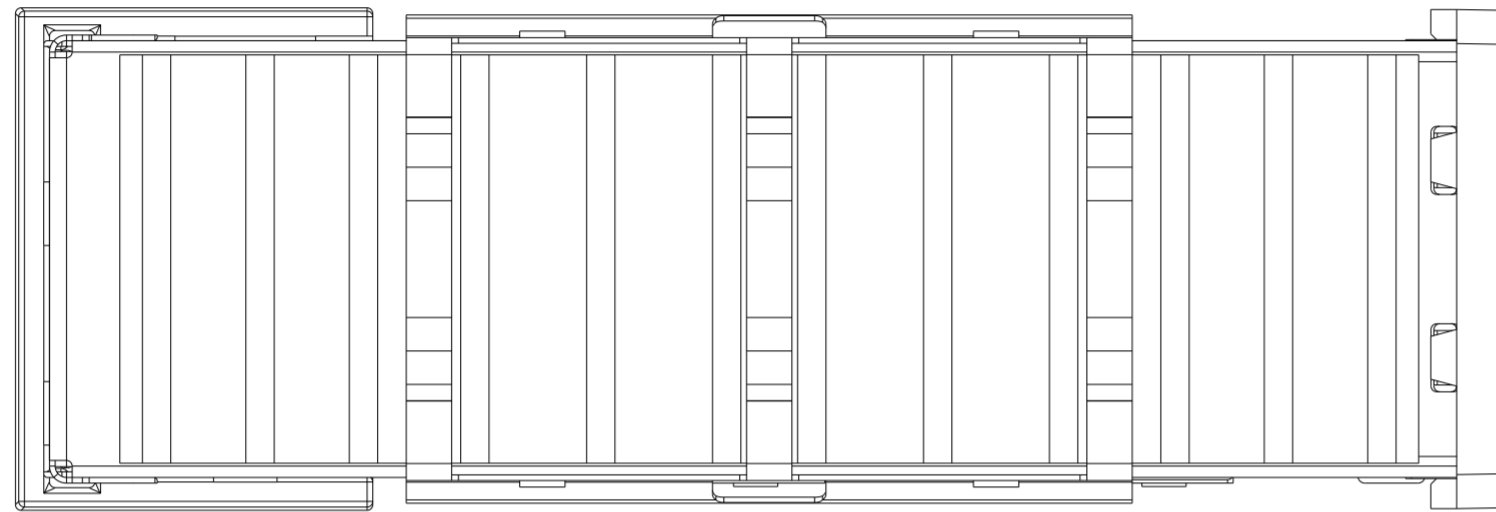
ANODIZE BLACK	2363937-2	1489948-2	1489951-1	CUSTOMIZED	1888065-3
ANODIZE BLACK	2170391-2	1489948-2	1489951-1	NETWORKING	1888065-2
NICKEL PLATING	1542706-3	1489948-2	1489951-1	NETWORKING	1888065-1
HEAT SINK FINISH	HEAT SINK PART NUMBER	HEAT SINK CLIP PART NUMBER	CAGE ASSEMBLY PART NUMBER	APPLICATION	PART NUMBER

THIS DRAWING IS A CONTROLLED DOCUMENT.

DIMENSIONS: mm	TOLERANCES UNLESS OTHERWISE SPECIFIED:	DWN B. MCMASTER 24MAY06	TE Connectivity
	0 PLC ±	CHK J. KOPPENHEFFER 24MAY06	
	1 PLC ±	APVD J. KOPPENHEFFER 24MAY06	
	2 PLC ±	NAME XFP KIT ASSEMBLY	
MATERIAL	FINISH	PRODUCT SPEC 108-2127	SIZE CAGE CODE DRAWING NO RESTRICTED TO
		APPLICATION SPEC 114-13096	A200779 C-1888065
		WEIGHT	SCALE 3:1 SHEET 1 OF 3 REV EI
		CUSTOMER DRAWING	

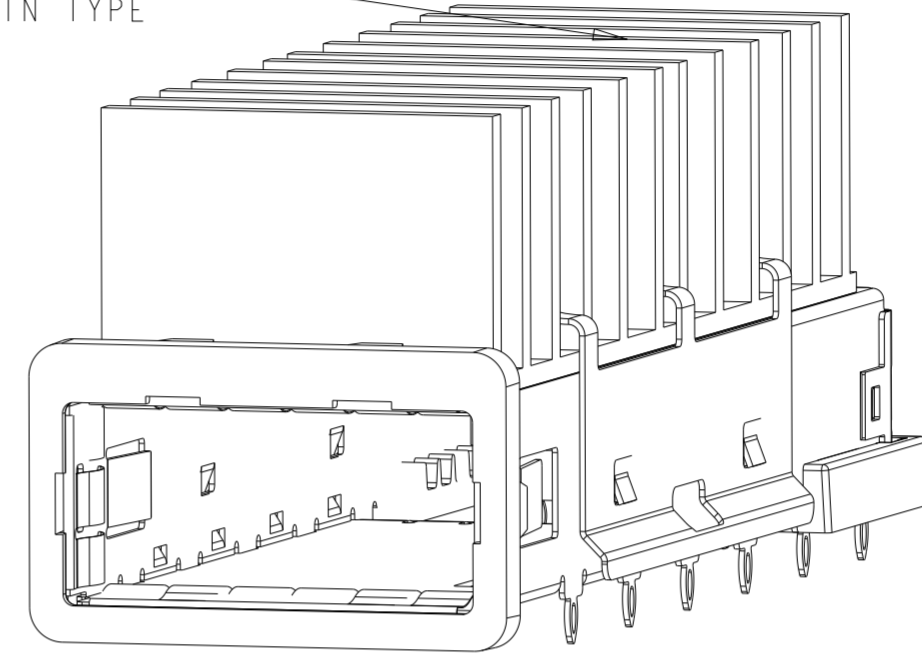
THIS DRAWING IS UNPUBLISHED. RELEASED FOR PUBLICATION 20
 © COPYRIGHT 20 BY - ALL RIGHTS RESERVED.

LOC	DIST	REVISIONS					
GP	00	P	LTR	DESCRIPTION	DATE	DWN	APVD
		-		SEE SHEET 1	-	-	-



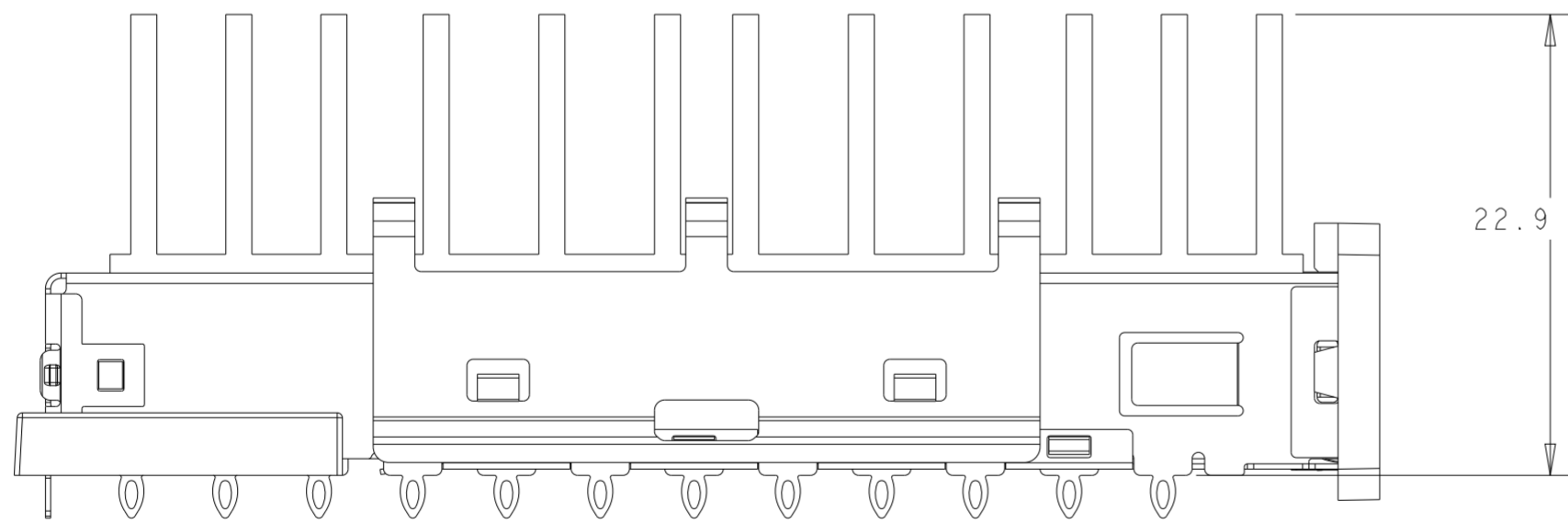
SCALE 3:1

XFP HEAT SINK
FIN TYPE



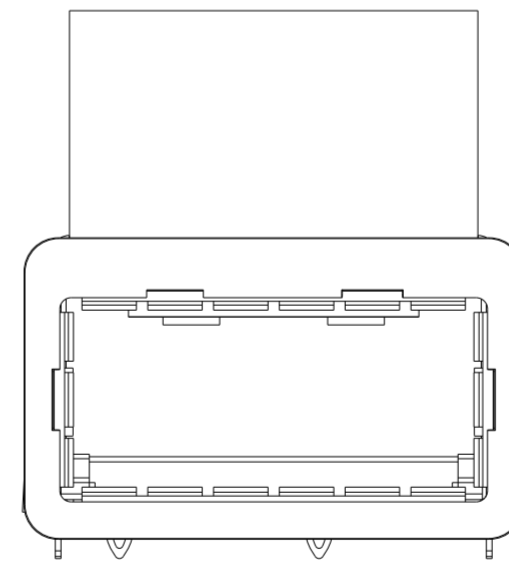
1888065-2
SCALE 3:1


EI



22.9 MAX

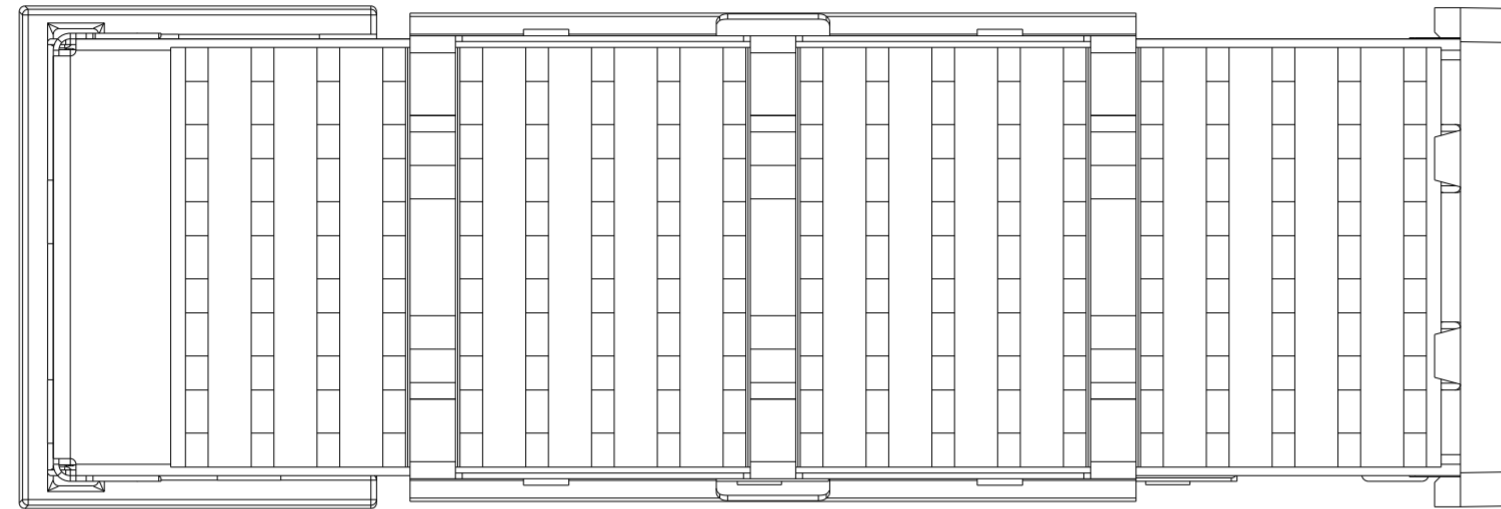
EI



THIS DRAWING IS A CONTROLLED DOCUMENT.		DWN B. MCMASTER 24MAY06	 TE Connectivity	
DIMENSIONS: mm		CHK J. KOPPENHEFFER 24MAY06		
TOLERANCES UNLESS OTHERWISE SPECIFIED:		APVD J. KOPPENHEFFER 24MAY06	NAME XFP KIT ASSEMBLY	
0 PLC ±		PRODUCT SPEC 108-2127	SIZE CAGE CODE DRAWING NO RESTRICTED TO	
1 PLC ±		APPLICATION SPEC 114-13096	A200779 C-1888065	
2 PLC ±		WEIGHT -	SCALE 3:1 SHEET 2 OF 3 REV EI	
3 PLC ±		CUSTOMER DRAWING		
4 PLC ±				
ANGLES ±				
FINISH				

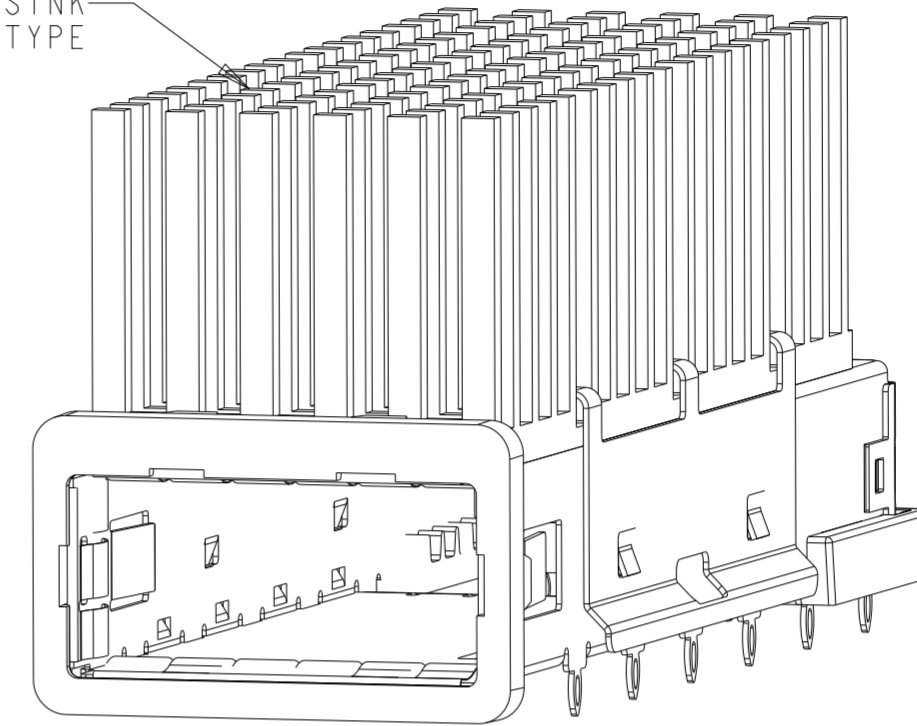
THIS DRAWING IS UNPUBLISHED. RELEASED FOR PUBLICATION 20
 © COPYRIGHT 20 BY - ALL RIGHTS RESERVED.

LOC	DIST	REVISIONS					
GP	00	P	LTR	DESCRIPTION	DATE	DWN	APVD
		-		SEE SHEET 1	-	-	-

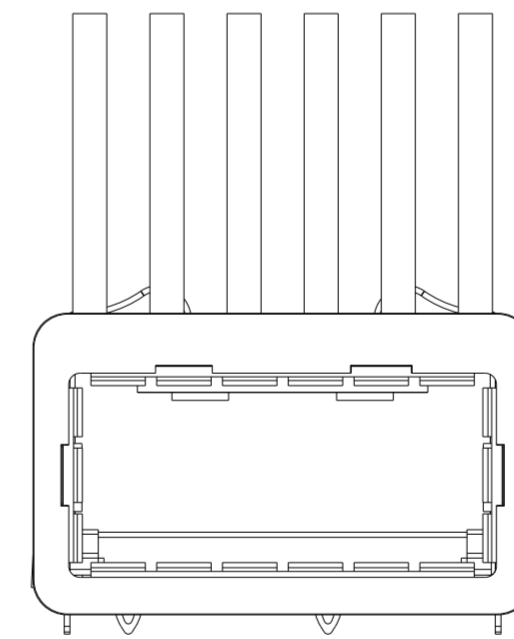
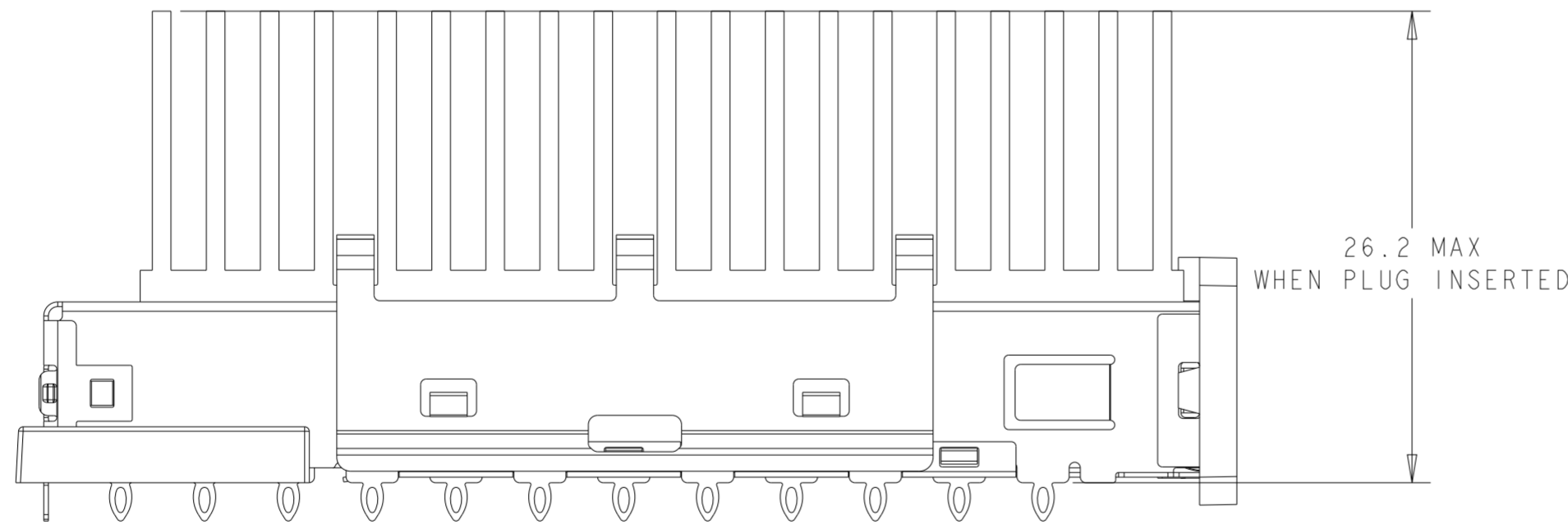


SCALE 3:1

XFP HEAT SINK
PIN TYPE



1888065-3
SCALE 3:1



THIS DRAWING IS A CONTROLLED DOCUMENT.		DWN B. MCMASTER	24MAY06	STE TE Connectivity	
DIMENSIONS: mm		CHK J. KOPPENHEFFER	24MAY06		
TOLERANCES UNLESS OTHERWISE SPECIFIED:		APVD J. KOPPENHEFFER	24MAY06	NAME XFP KIT ASSEMBLY	
0 PLC ±		PRODUCT SPEC	108-2127	SIZE CAGE CODE DRAWING NO	
1 PLC ±		APPLICATION SPEC	114-13096	RESTRICTED TO	
2 PLC ±		WEIGHT	-	A200779 C-1888065	
3 PLC ±		CUSTOMER DRAWING		SCALE 3:1 SHEET 3 OF 3 REV E1	
4 PLC ±					
ANGLES ±					
FINISH					