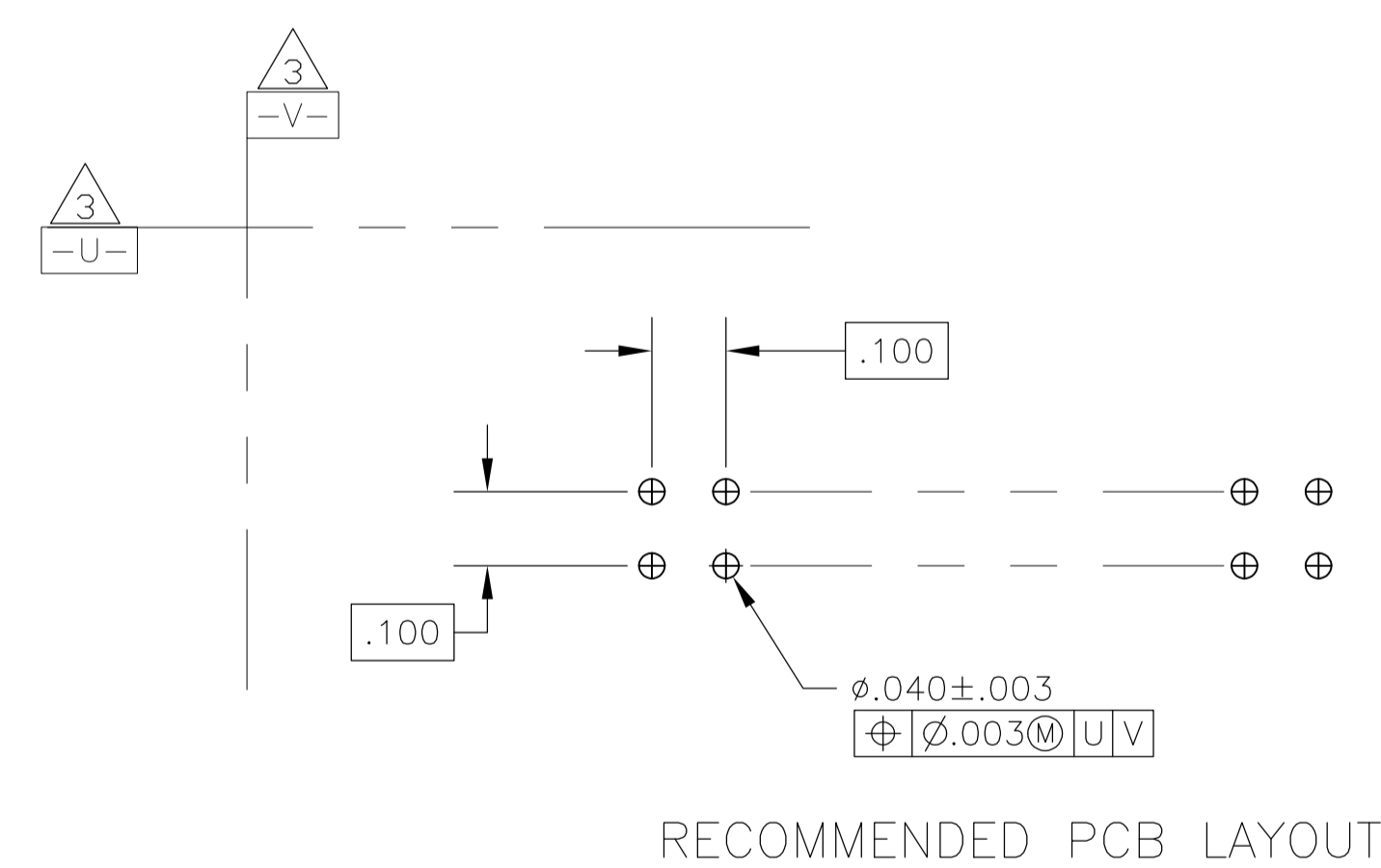
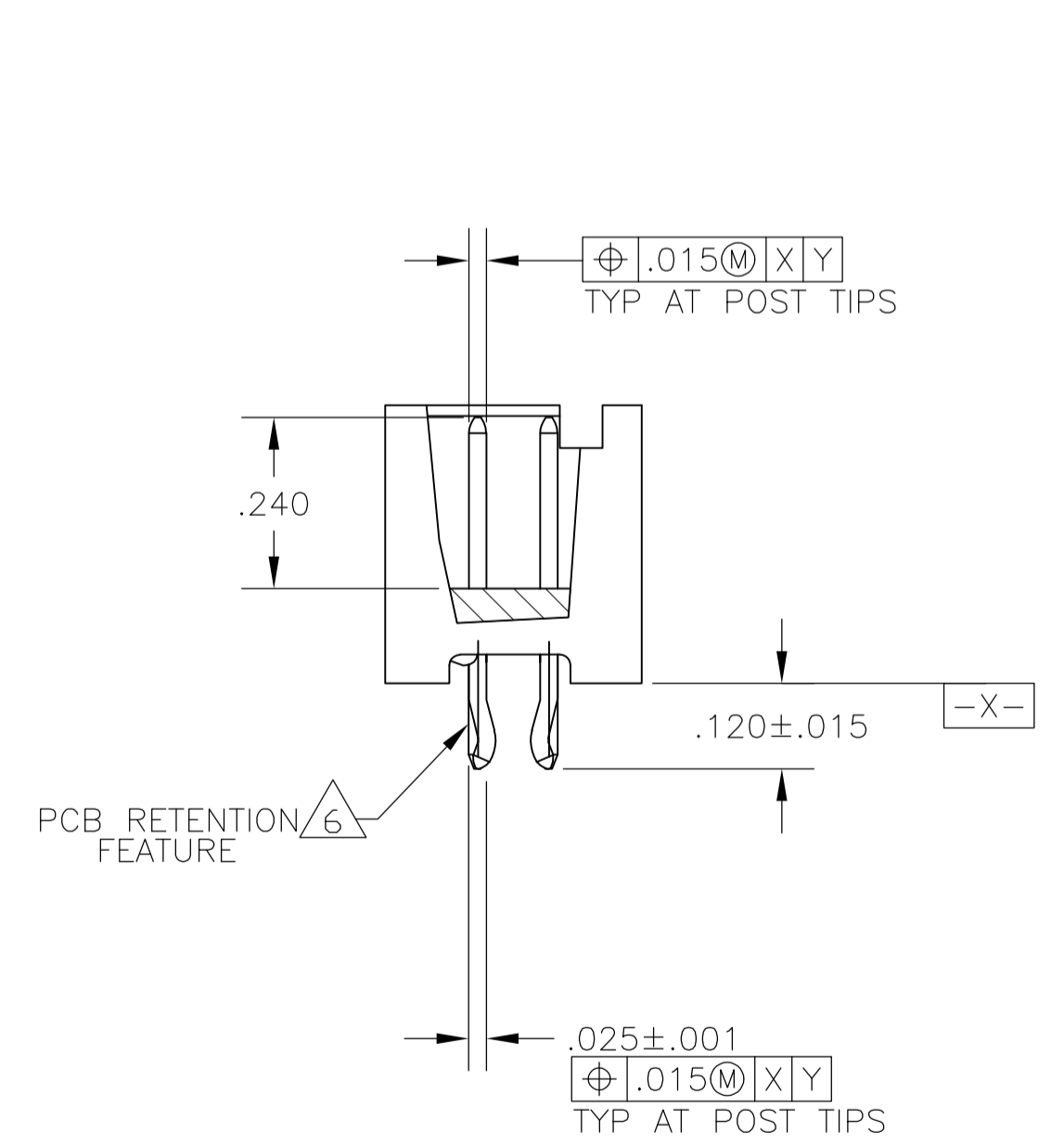
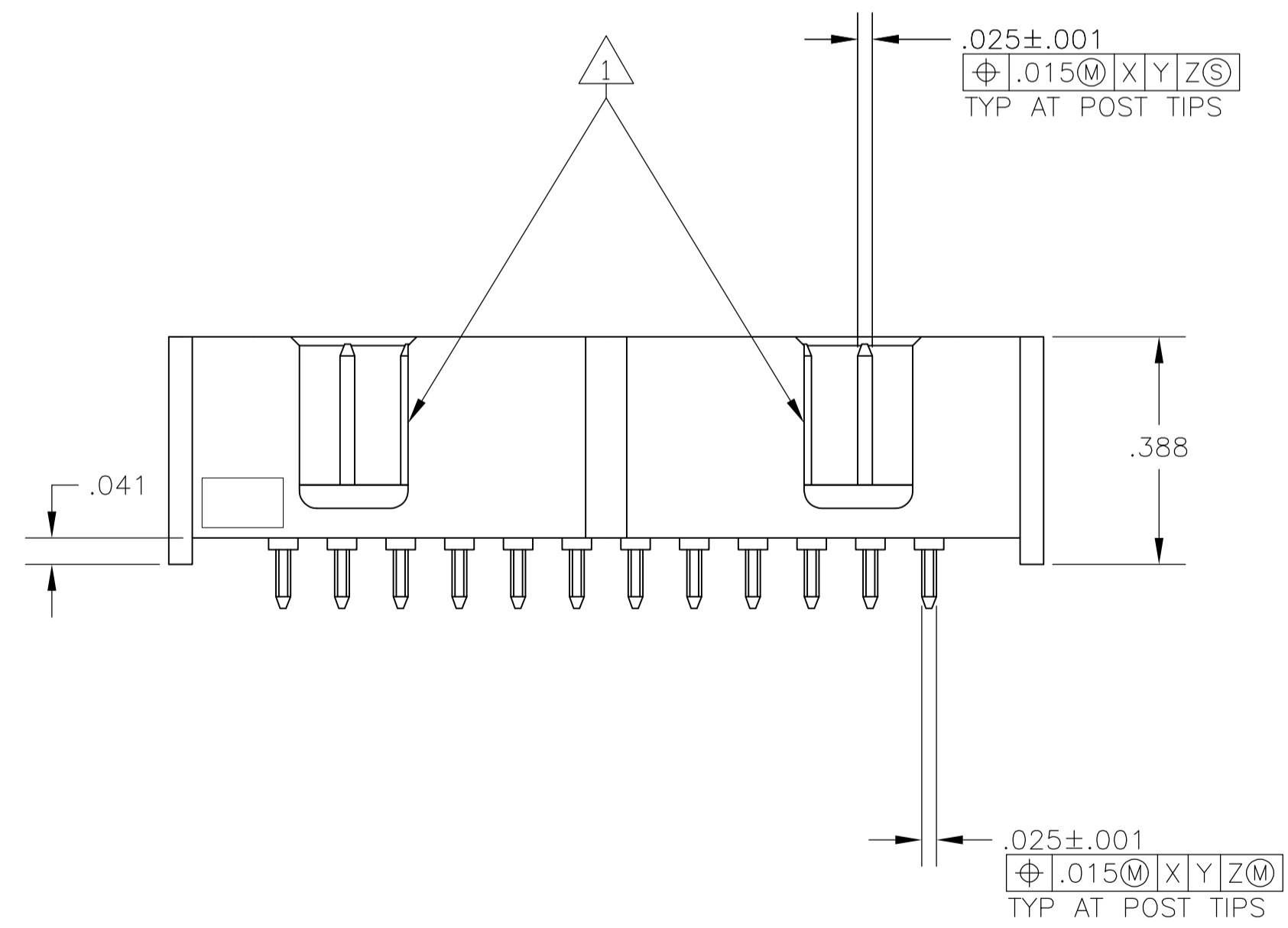


- 1 DOUBLE BAR POLARIZATION SLOTS.
- 2 CENTER POLARIZATION SLOT.
- 3 DATUMS U AND V TO BE ESTABLISHED BY THE CUSTOMER.
- 4 HOUSING: GLASS FILLED PPA, UL 94V-0, COLOR: BLACK. POSTS: BRASS.
- 5 POSTS: GOLD FLASH OVER PALLADIUM-NICKEL PLATE, .000015 MIN TOTAL ON THE MATING SURFACES, .000100 MIN TIN PLATE ON THE SOLDER-TAILS, .000050 MIN NICKEL UNDERPLATE ON THE ENTIRE POST.
-OR-
.000015 MIN GOLD PLATE ON THE MATING SURFACES, .000100 MIN TIN PLATE ON THE SOLDER-TAILS, .000050 MIN NICKEL UNDERPLATE ON THE ENTIRE POST.
- 6 THE RETENTION FEATURE ON THE SOLDER-TAILS WAS DESIGNED FOR A PCB THICKNESS OF $.062 \pm .007$. THIS FEATURE APPLIES ONLY TO THE SOLDER-TAILS LOCATED ON THE END POSITIONS THE CONNECTOR (4 PLACES).
- 7. PACKAGED IN SINGLE TUBES.



24	1888208-5
NO OF POS	PART NUMBER

THIS DRAWING IS A CONTROLLED DOCUMENT.		DWG: C. LAUBACH 19 DEC 05	Tyco Electronics Corporation Harrisburg, PA 17105-3608
DIMENSIONS: INCHES		CHK: J. GFRACE 19 DEC 05	
0. PLC ± - 1. PLC ± - 2. PLC ± - 3. PLC ± .005 4. PLC ± - ANGLES ± -		APD: M. WALMSLEY 19 DEC 05 NAME: M. WALMSLEY PRODUCT SPEC: 108-40018 APPLICATION SPEC:	
MATERIAL: 4	FINISH: 5	WEIGHT: -	SIZE: A1 CAGE CODE: 00779 DRAWING NO: 1888208 RESTRICTED TO: - CUSTOMER DRAWING: - SCALE: 4:1 SHEET 1 OF 1 REV E