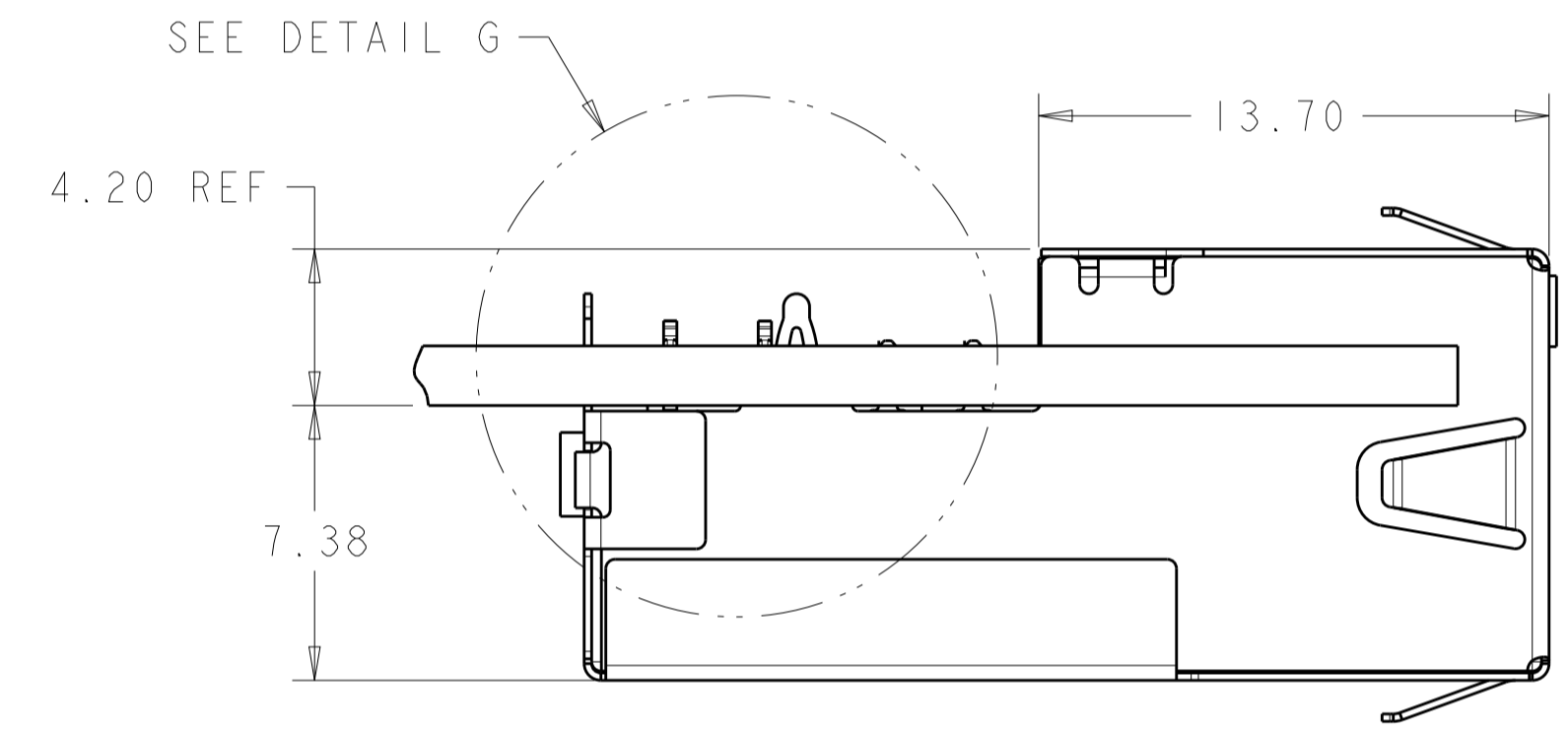
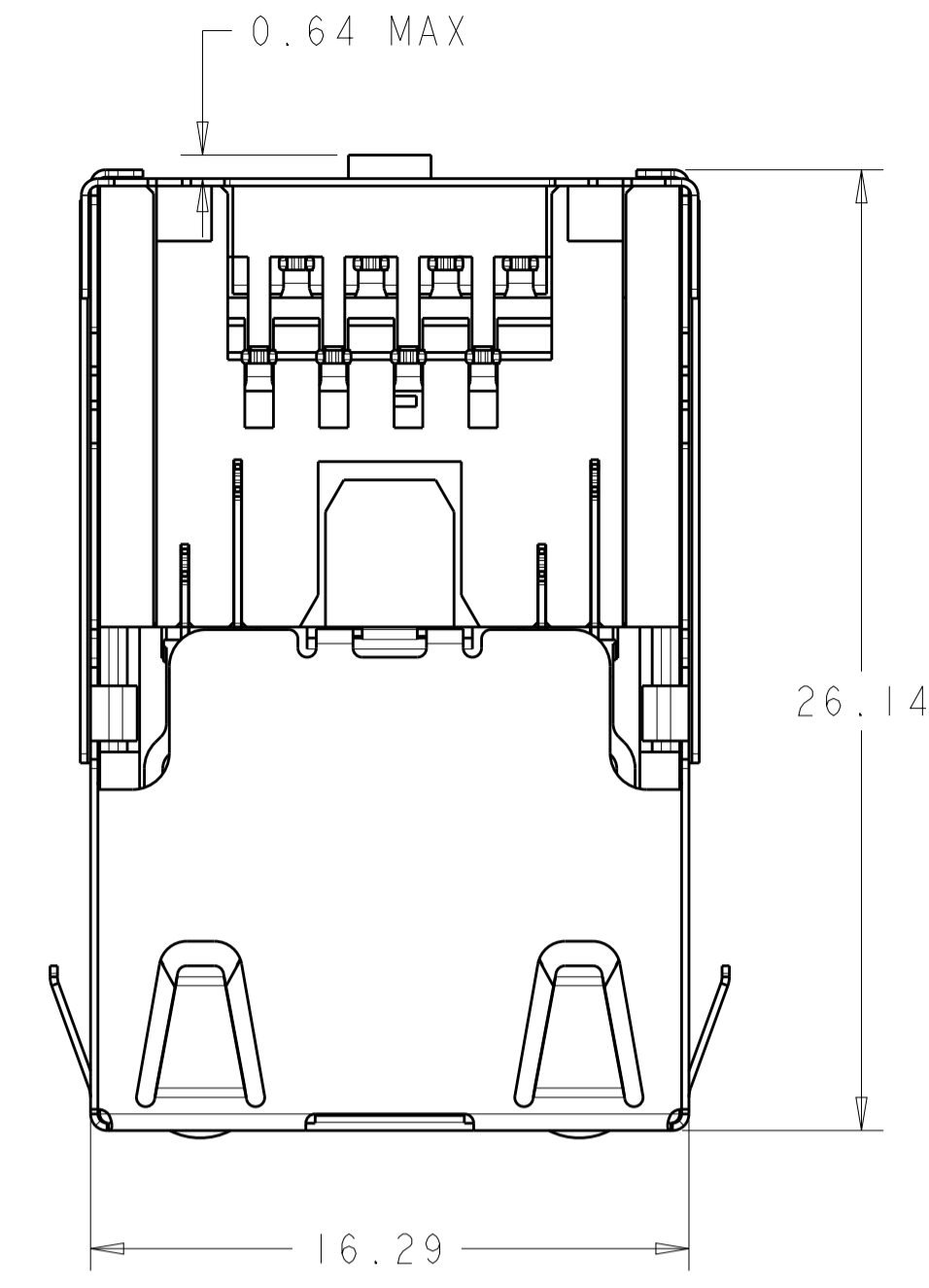
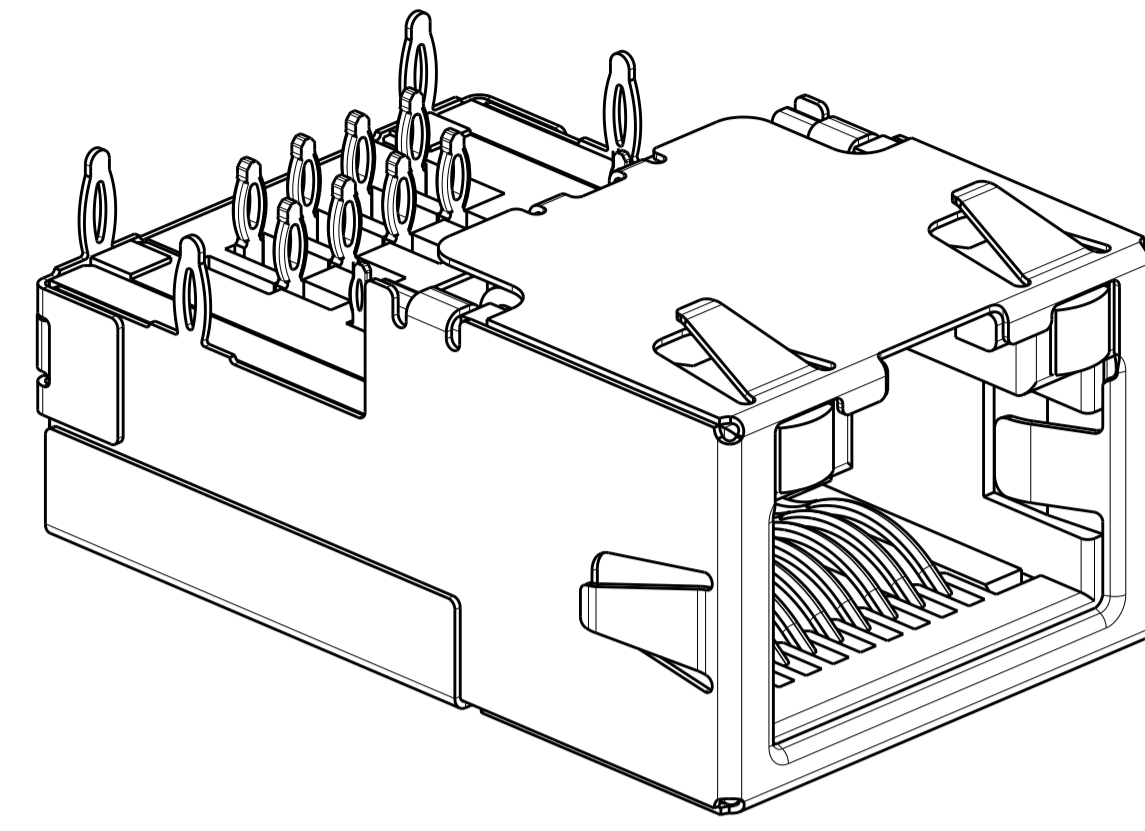
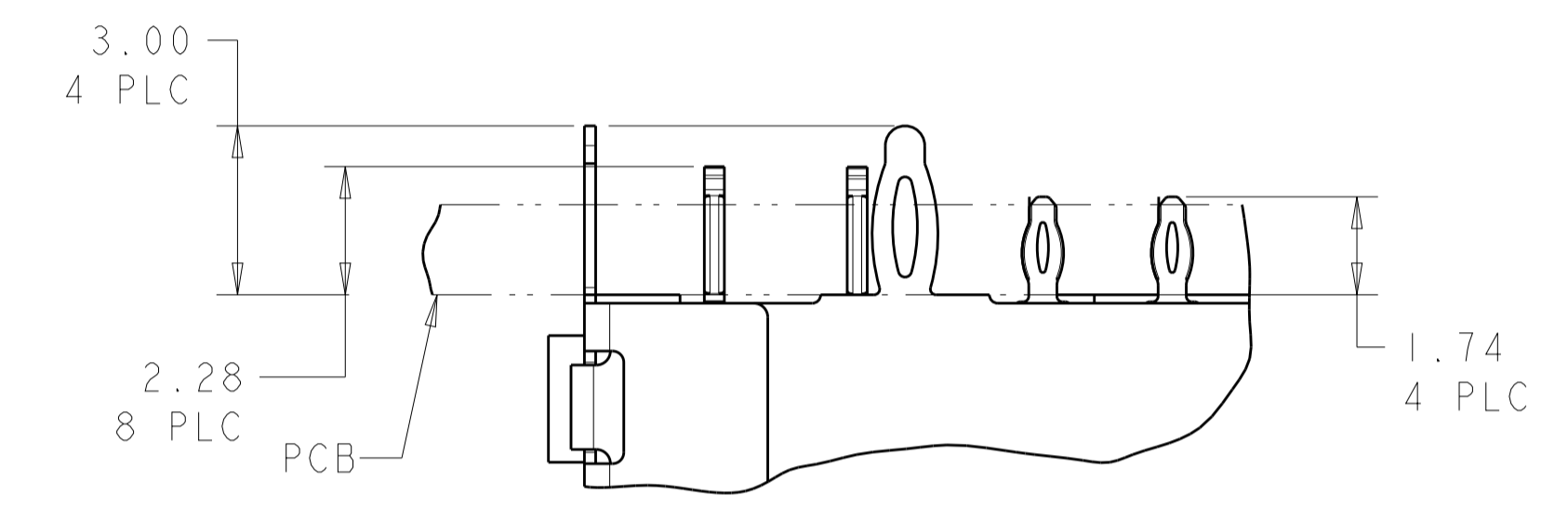
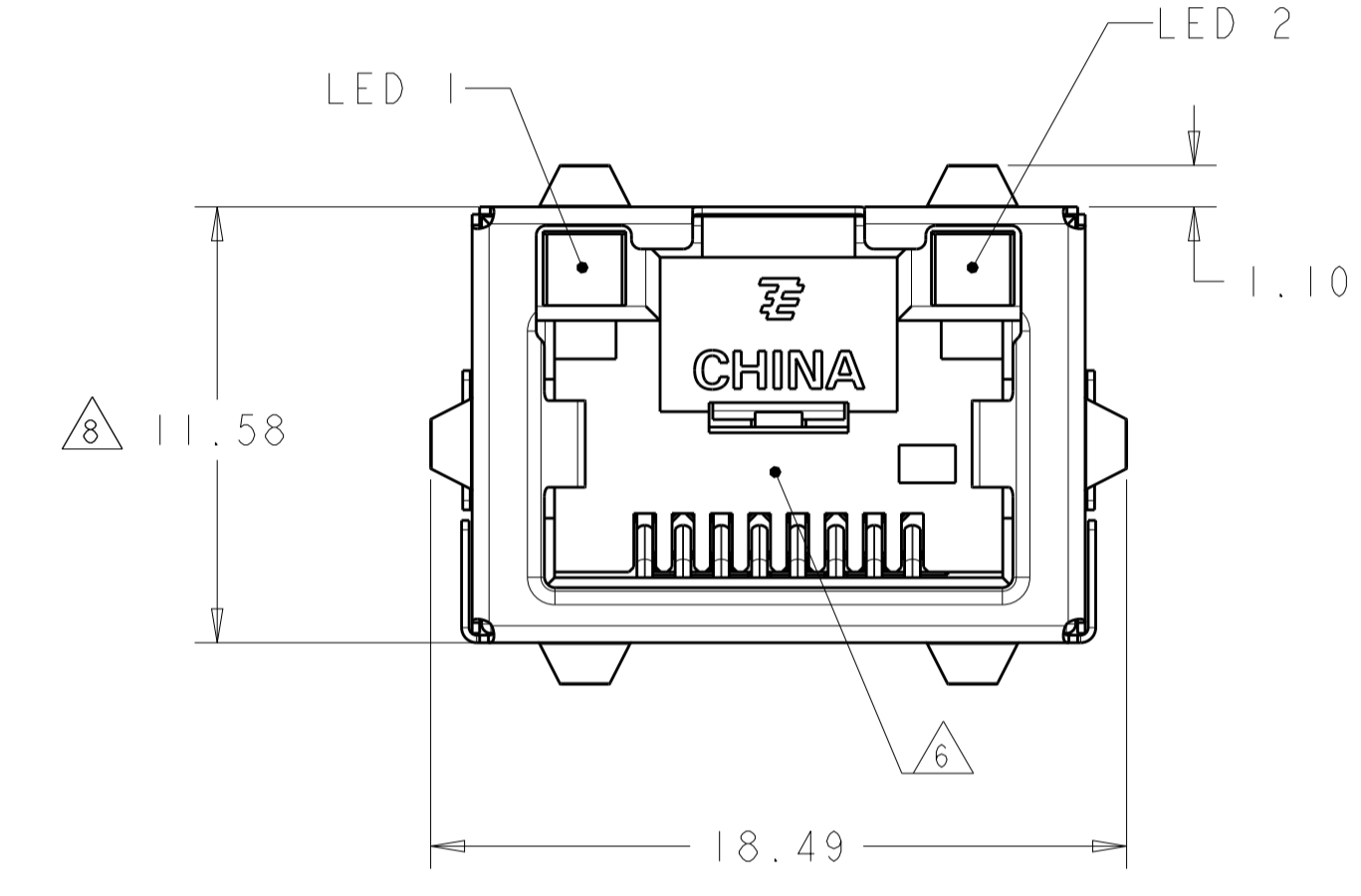


LOC	DIST	REVISIONS					
AA	00	P	LTN	DESCRIPTION	DATE	DWN	APVD
		B5		ECR-11-009822	11MAY2011	JJ	MOW
		C		ECR-12-002445	09FEB2012	JJ	AC
		D		ECO-18-005828	27MAR2018	LL	SH

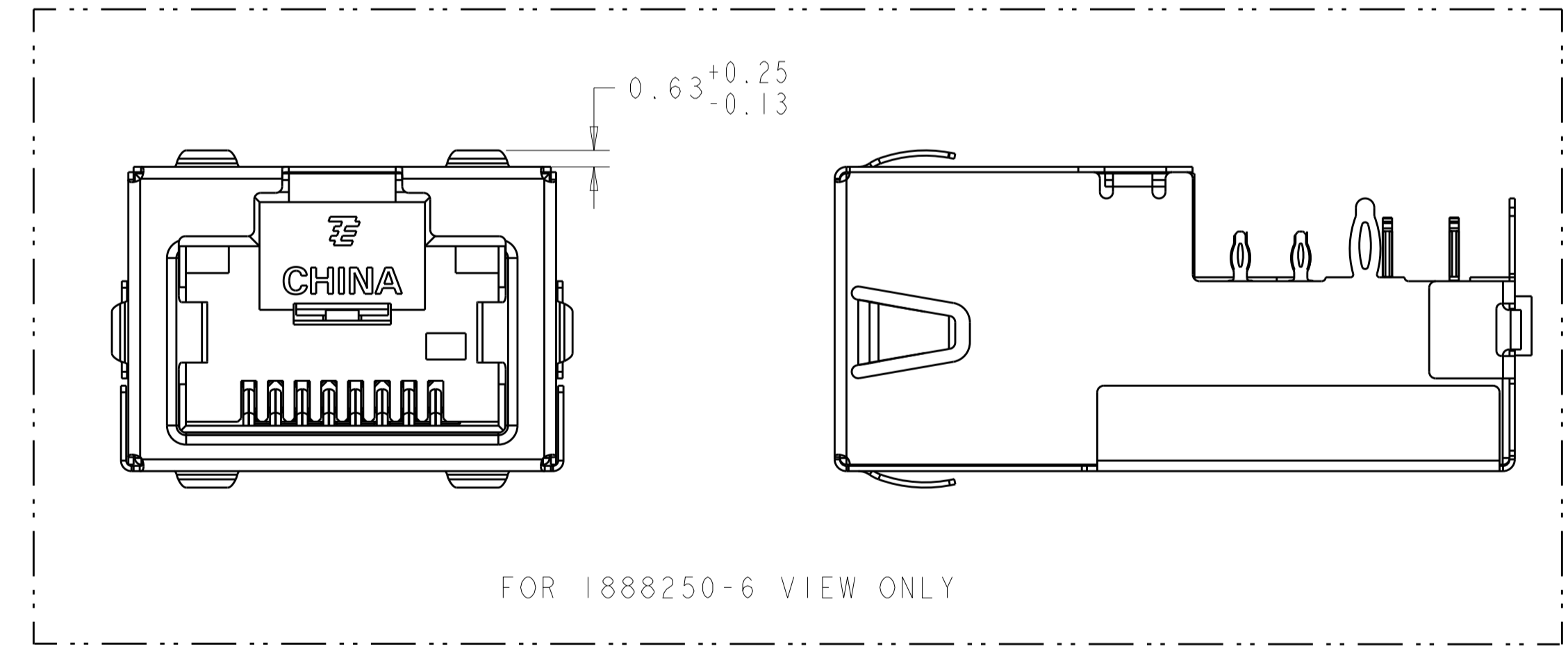
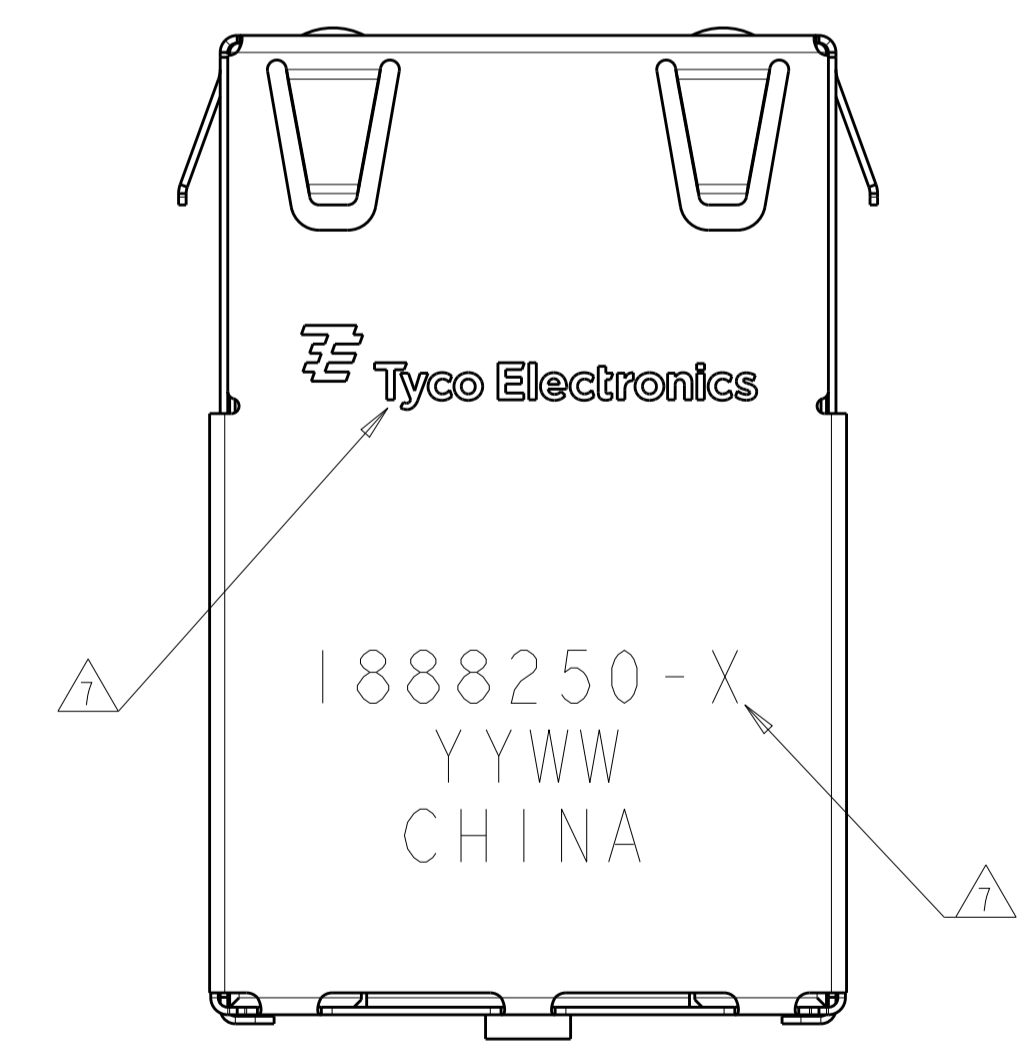


VIEW SHOWN ASSEMBLED TO PCB ONLY



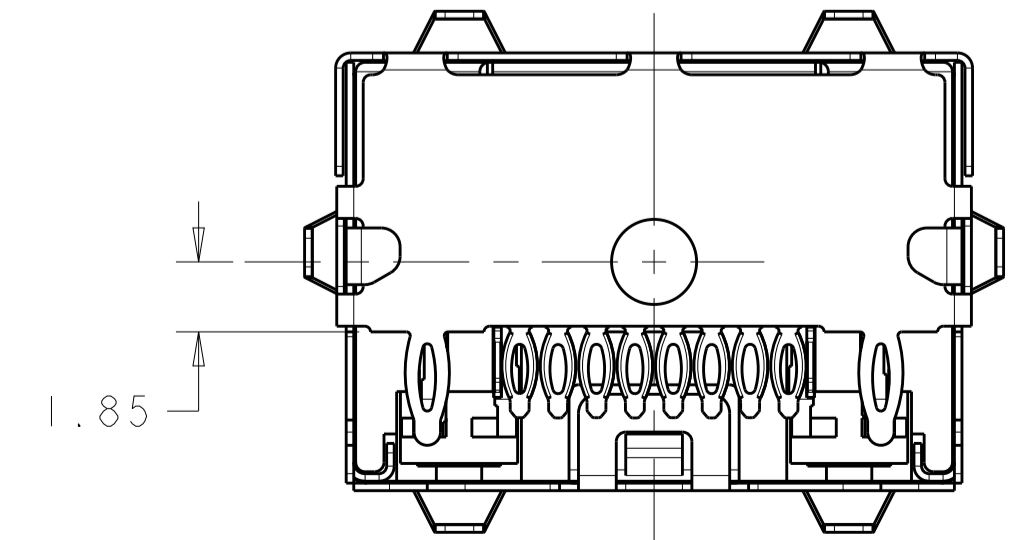
DETAIL G SCALE 8:1

- MATERIALS:
HOUSING: BLACK THERMOPLASTIC, 94V-0.
SHIELD: COPPER ALLOY WITH 0.76µm MIN NICKEL PLATE
CONTACTS: PHOSPHOR BRONZE WITH 1.27µm MIN GOLD AT MATING INTERFACE OVER 1.27µm MIN NICKEL UNDERPLATE.
 - PERFORMANCE:
INSERTION LOSS: 0.4dB @ 100 MHz.
RETURN LOSS: 12.0dB @ 100 MHz.
CROSSTALK ATTENUATION: -43dB MINIMUM @ 100 MHz
CURRENT: 0.6 AMPERE MAXIMUM PER SINGAL CONTACT.
 - LED'S COMPLIANT WITH IEC60825-1 SAFETY OF LASER PRODUCTS WHEN OPERATED AT CURRENT OF 20mA.
 - ALL DIMENSIONS NOMINAL.
 - RECOMMENDED MOTHERBOARD PCB THICKNESS: 1.60±0.16.
- ⚠ RJ45 PORT CONFORMS TO FCC RULES AND REGULATIONS PART 68 SUB-PART F.
- ⚠ TE LOGO, PART NUMBER, DATE CODE AND COUNTRY OF ORIGIN TO BE MARKED IN APPROXIMATE LOCATION SHOWN.
- ⚠ THIS DIMENSION MEETS THE ADVANCED MEZZANINE CARD (AMC) SPECIFICATION.
- ⚠ PIN 9,10,11,12 ARE LED LEAD PINS, For 1888250-3, NO LED INTEGRATED, HOLES ON PCB FOR THESE PINS ARE ONLY OPTIONAL.
- ⚠ LED WAVELENGTH FOR THE PN 1888250-7:
GREEN: 520nm ~ 525nm; YELLOW: 590nm ± 5nm.



FOR 1888250-6 VIEW ONLY

LED #1	LED #2	PART NUMBER
GRN/YEL	GRN/YEL	1888250-7
-	-	1888250-6
YELLOW	GREEN	1888250-5
GREEN	GREEN	1888250-4
-	-	1888250-3
GRN/YEL	GRN/YEL	1888250-2
GREEN	YELLOW	1888250-1



THIS DRAWING IS A CONTROLLED DOCUMENT.

DIMENSIONS: mm

TOLERANCES UNLESS OTHERWISE SPECIFIED:

0 PLC	±
1 PLC	±0.13
2 PLC	±
3 PLC	±
4 PLC	±
ANGLES	±
FINISH	±

MATERIAL: SEE NOTE 1

FINISH: SEE NOTE 1

RESTRICTED CUSTOMER

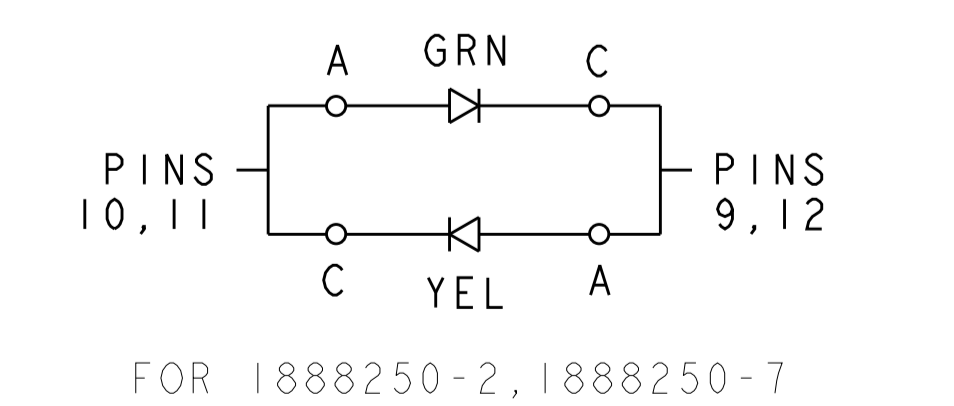
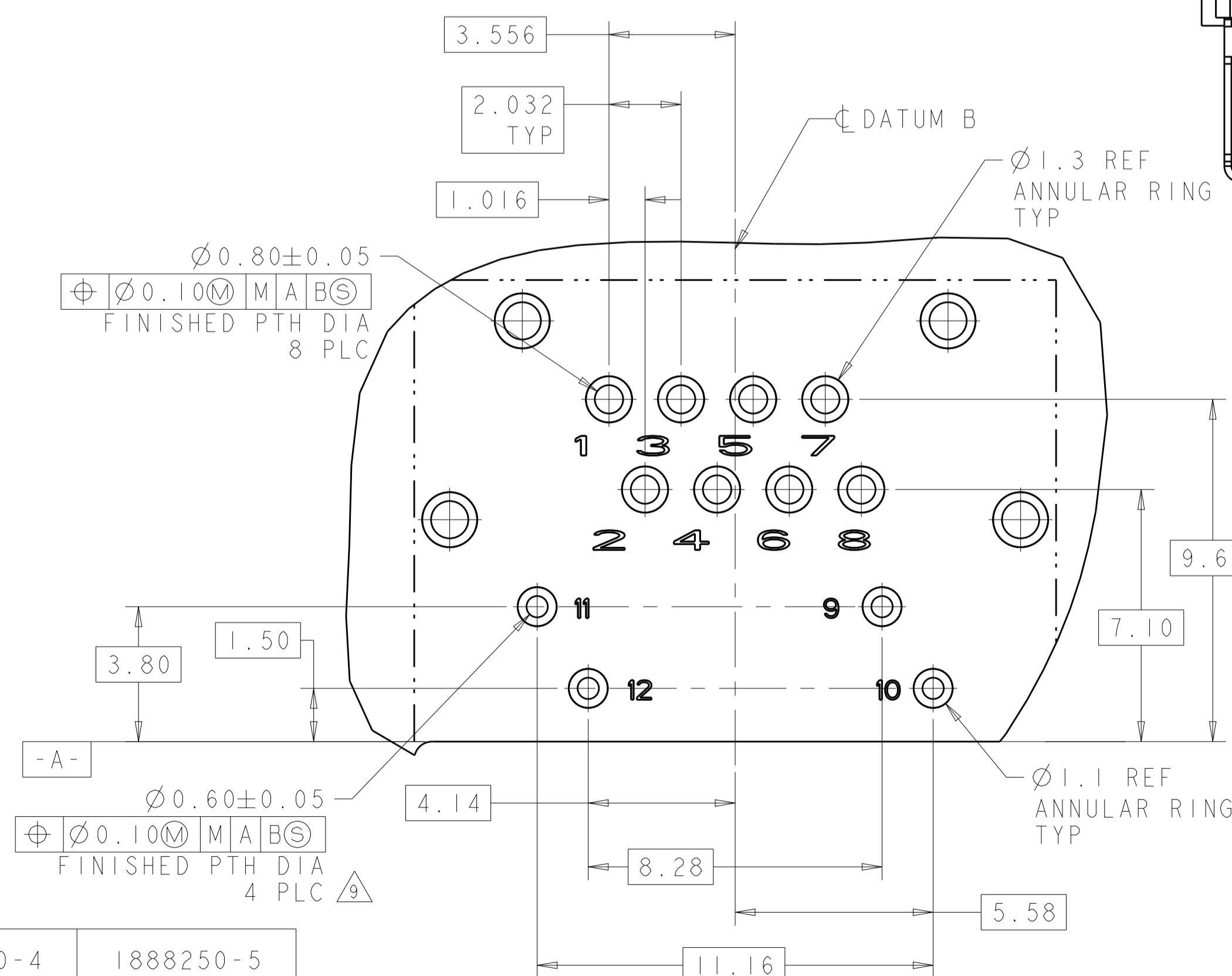
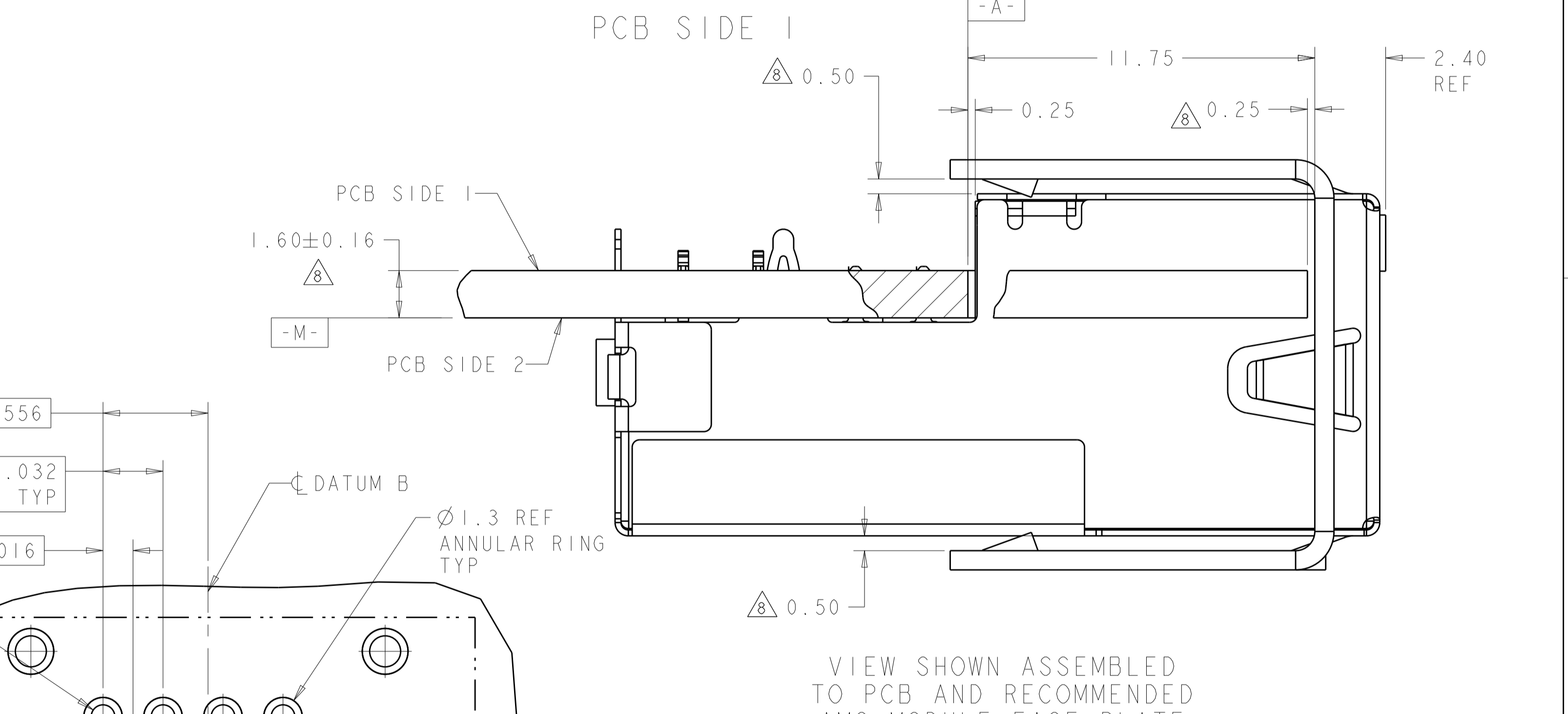
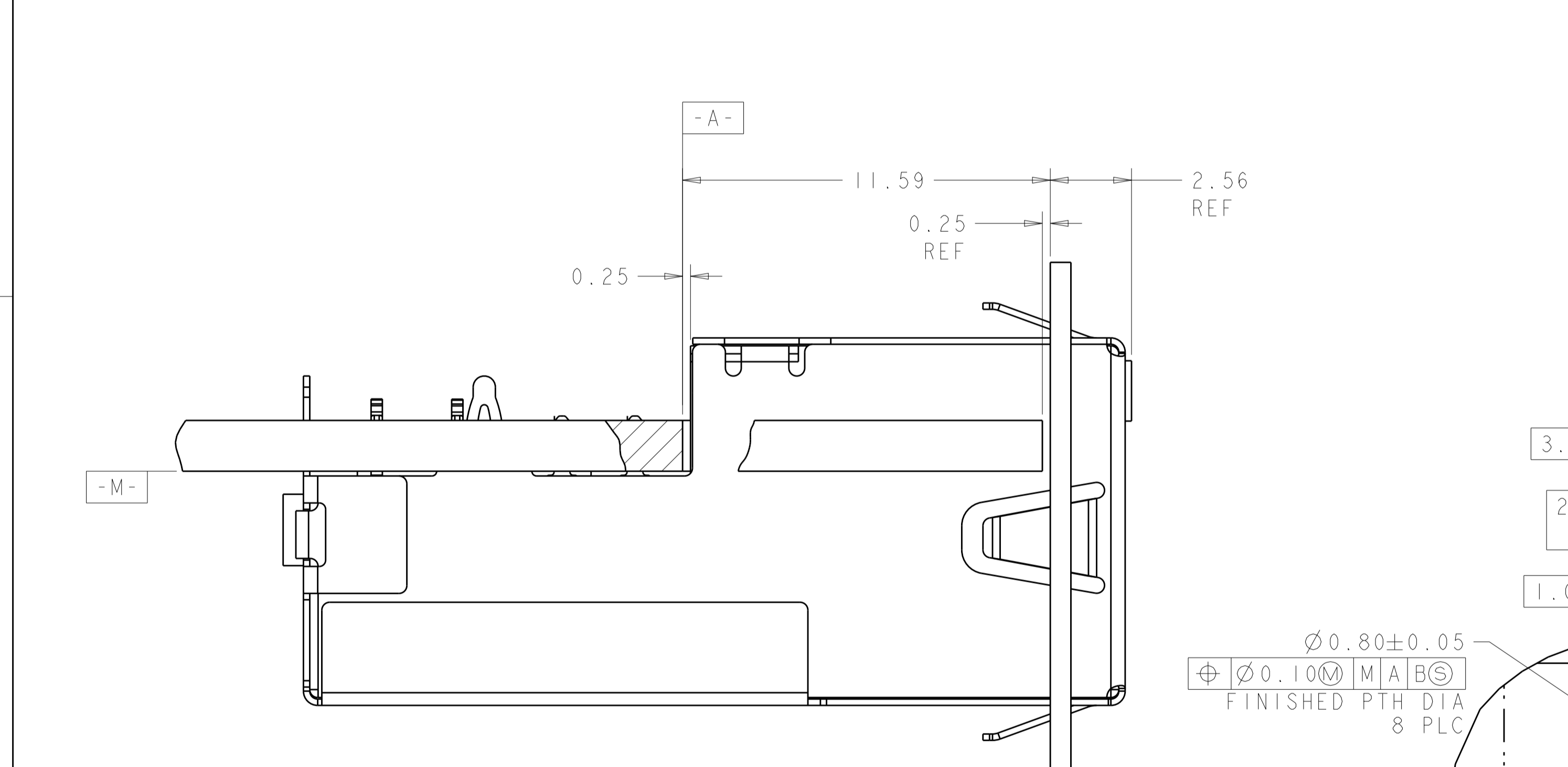
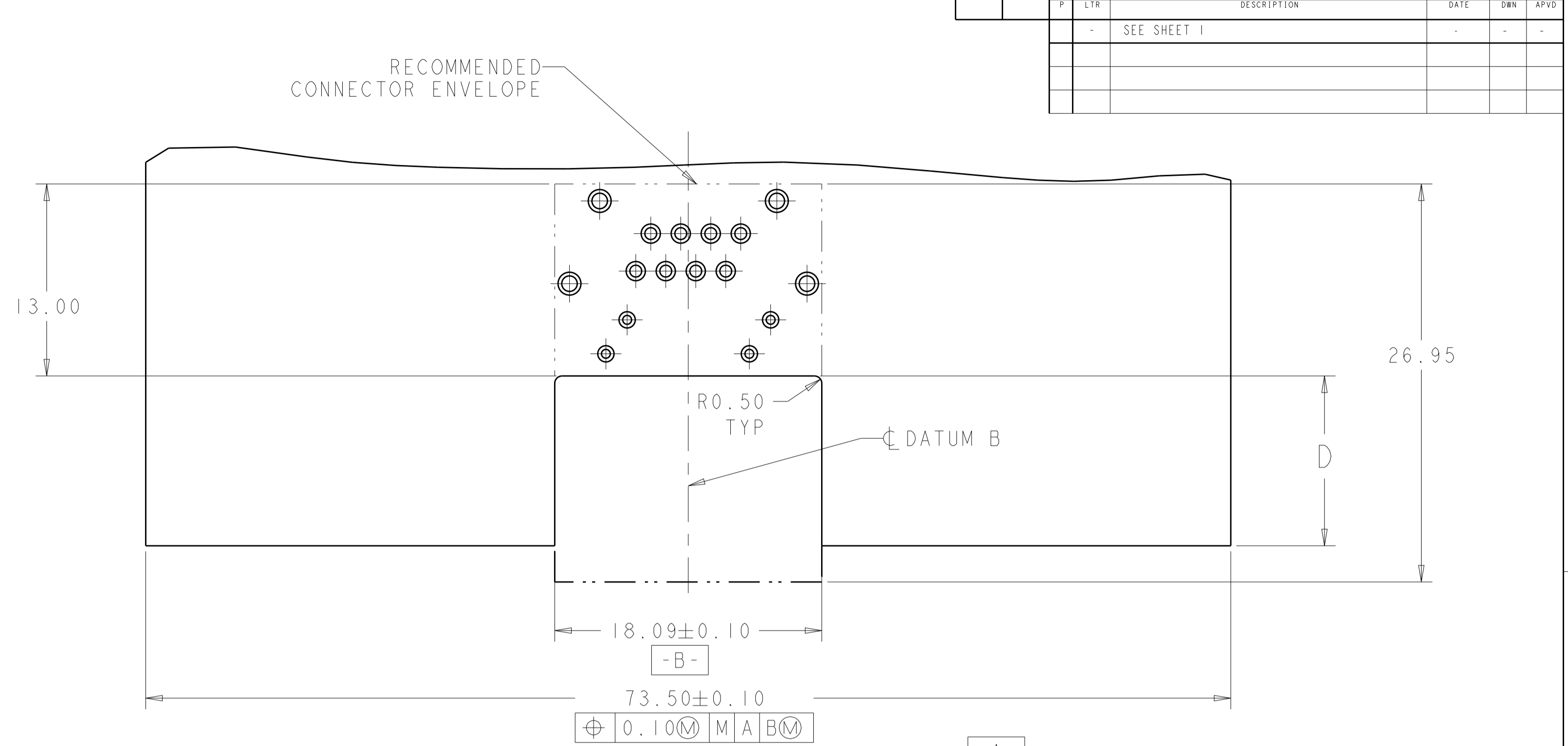
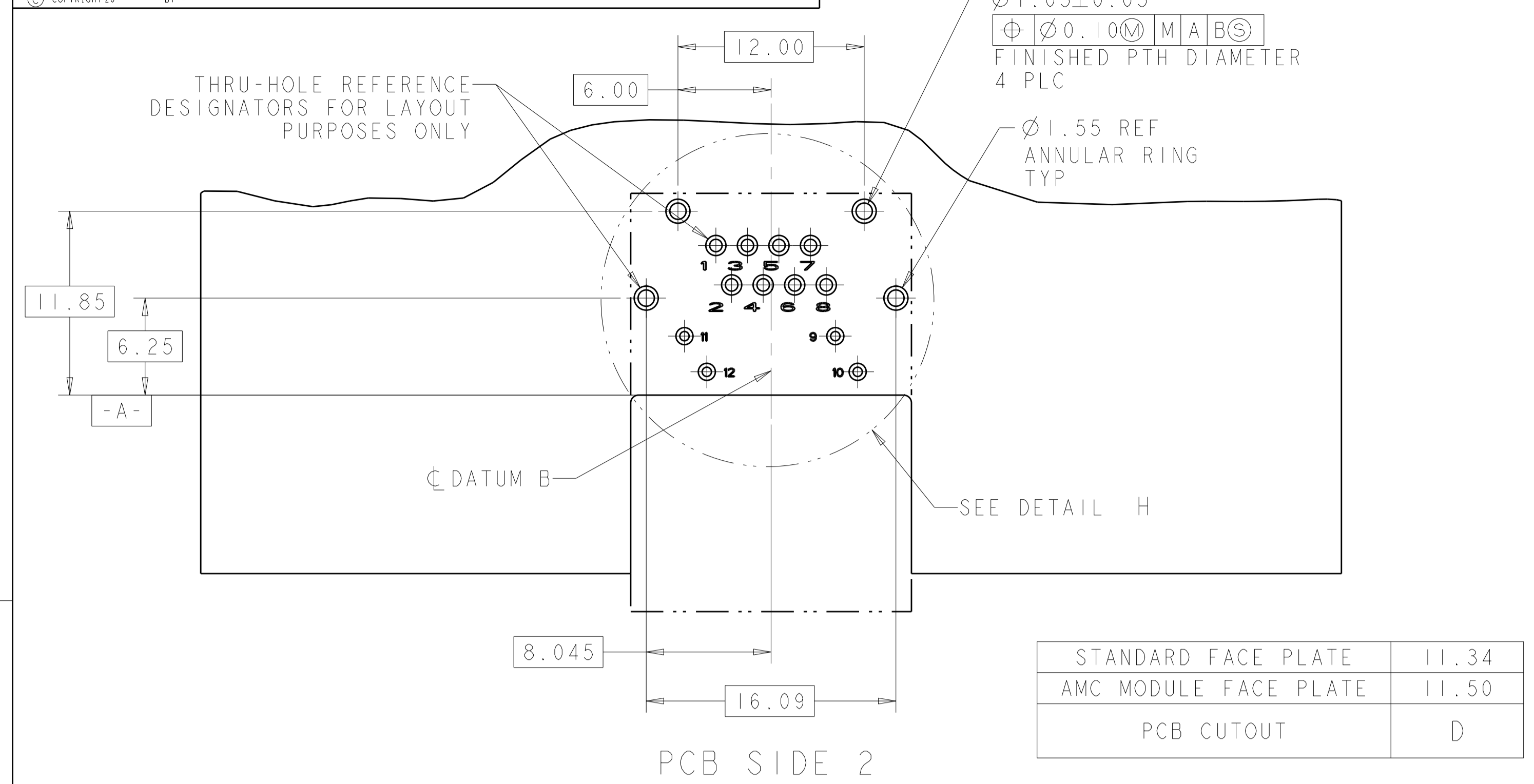
DWN: MS/L.A.MAYER 15FEB2008
CHK: J.WESTMAN 15FEB2008
APVD: S.FLICKINGER 15FEB2008

NAME: CONNECTOR ASSEMBLY, LOW PROFILE, PRESS FIT, MODULAR JACK, 1X1, RJ45

SIZE: A100779 C=1888250

SCALE: 5:1 SHEET 1 OF 3 REV D

LOC		DIST		REVISIONS			
P	LTN	DESCRIPTION	DATE	DMN	APVD		
-	-	SEE SHEET 1	-	-	-		



	PIN #	1888250-1	1888250-2 1888250-7	1888250-3 1888250-6	1888250-4	1888250-5
LED 1	9	CATHODE (-)	ANODE (YEL), CATHODE (GRN)	-	CATHODE (-)	CATHODE (-)
	10	ANODE (+)	ANODE (GRN), CATHODE (YEL)	-	ANODE (+)	ANODE (+)
LED 2	11	ANODE (+)	ANODE (GRN), CATHODE (YEL)	-	ANODE (+)	ANODE (+)
	12	CATHODE (-)	ANODE (YEL), CATHODE (GRN)	-	CATHODE (-)	CATHODE (-)

THIS DRAWING IS A CONTROLLED DOCUMENT.

DMN: MS/L.A.MAYER 15FEB2008
 CHK: J.WESTMAN 15FEB2008
 APVD: S.FLICKINGER 15FEB2008

NAME: CONNECTOR ASSEMBLY, LOW PROFILE, PRESS FIT, MODULAR JACK, IX1, RJ45

PRODUCT SPEC: 108-2274
 APPLICATION SPEC: 114-13179

SIZE: A1
 CAGE CODE: 100779
 DRAWING NO: 1888250

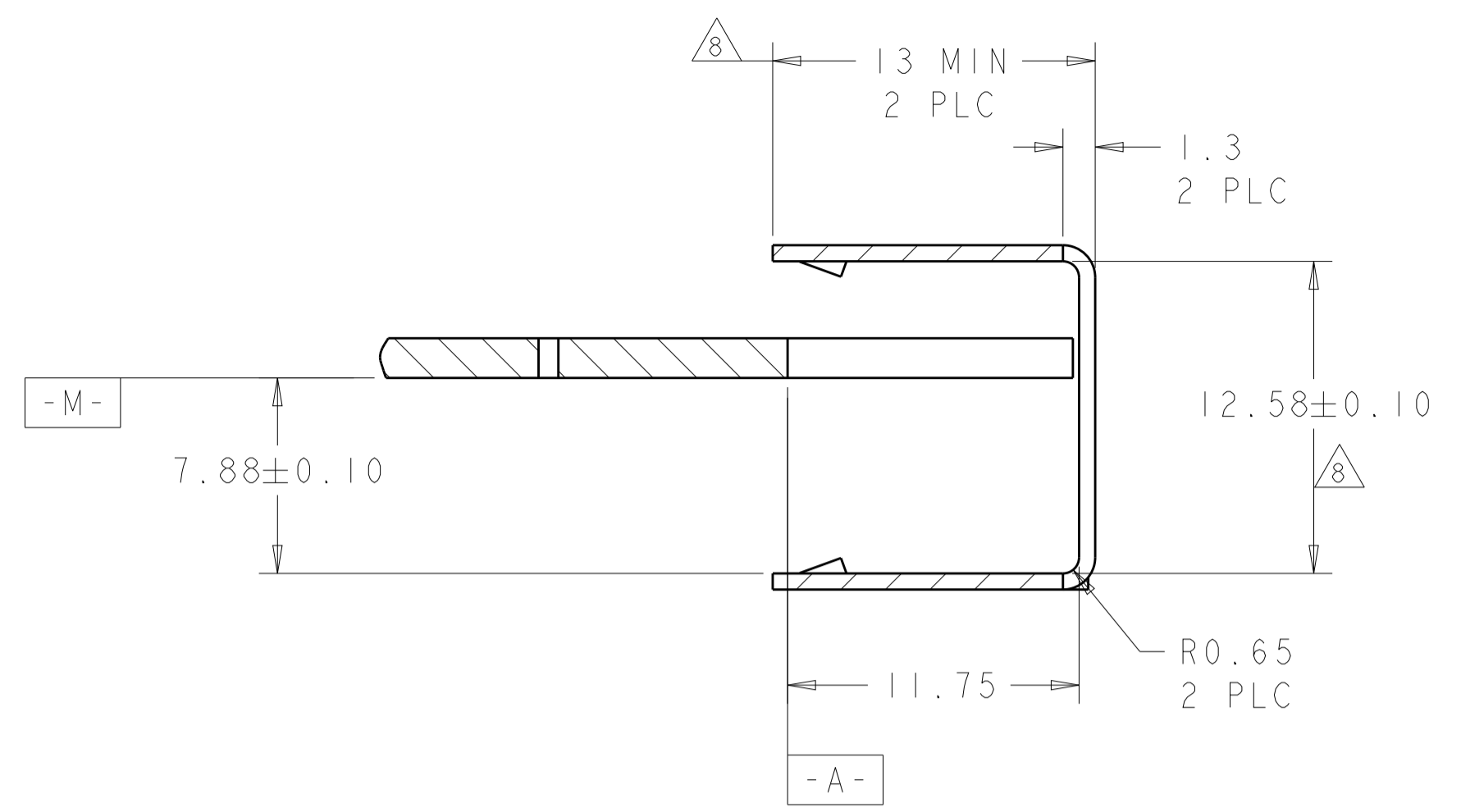
RESTRICTED TO: -

MATERIAL: SEE NOTE 1
 FINISH: SEE NOTE 1

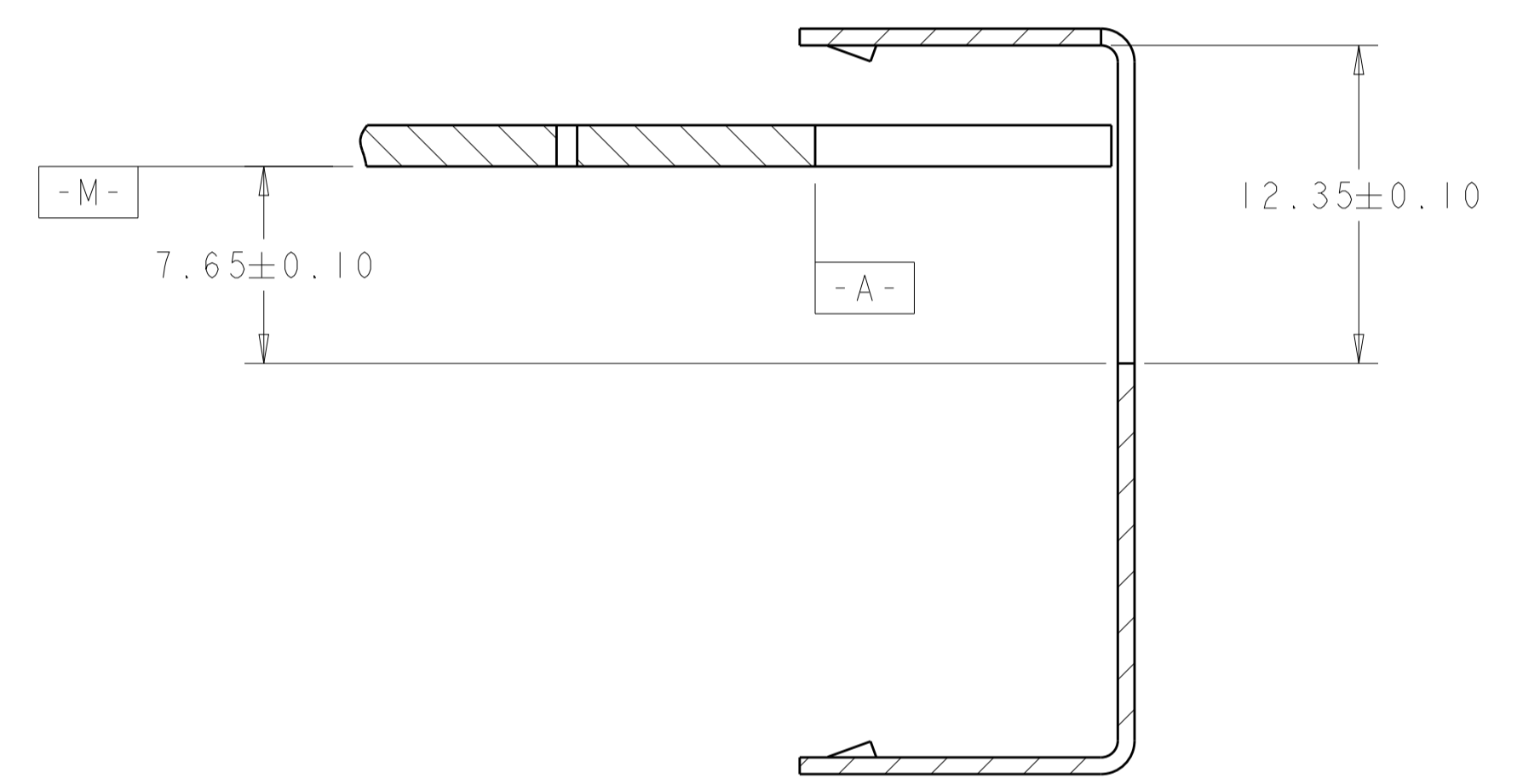
WEIGHT: -
 CUSTOMER DRAWING

SCALE: 5:1
 SHEET: 2 OF 3
 REV: D

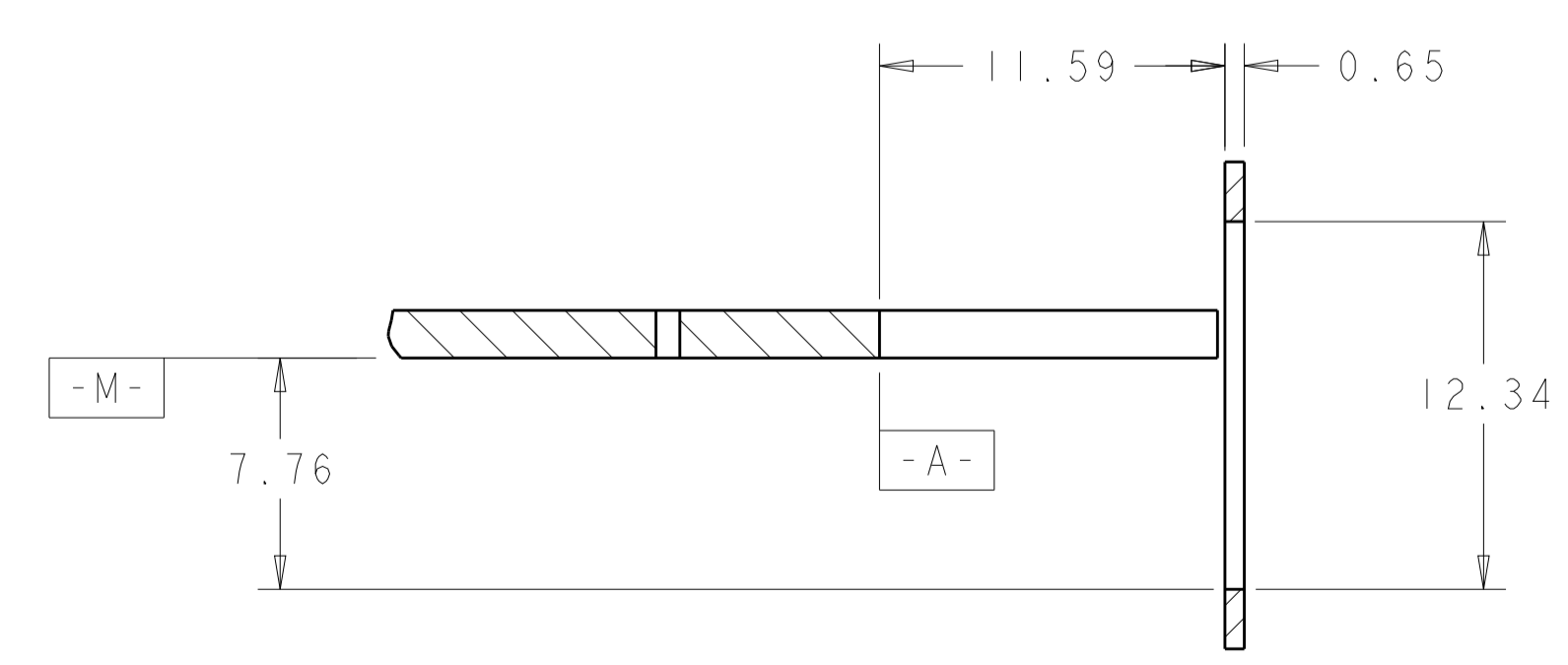
LOC	DIST	REVISIONS			
P	LTH	DESCRIPTION	DATE	DWN	APVD
-	-	SEE SHEET 1	-	-	-



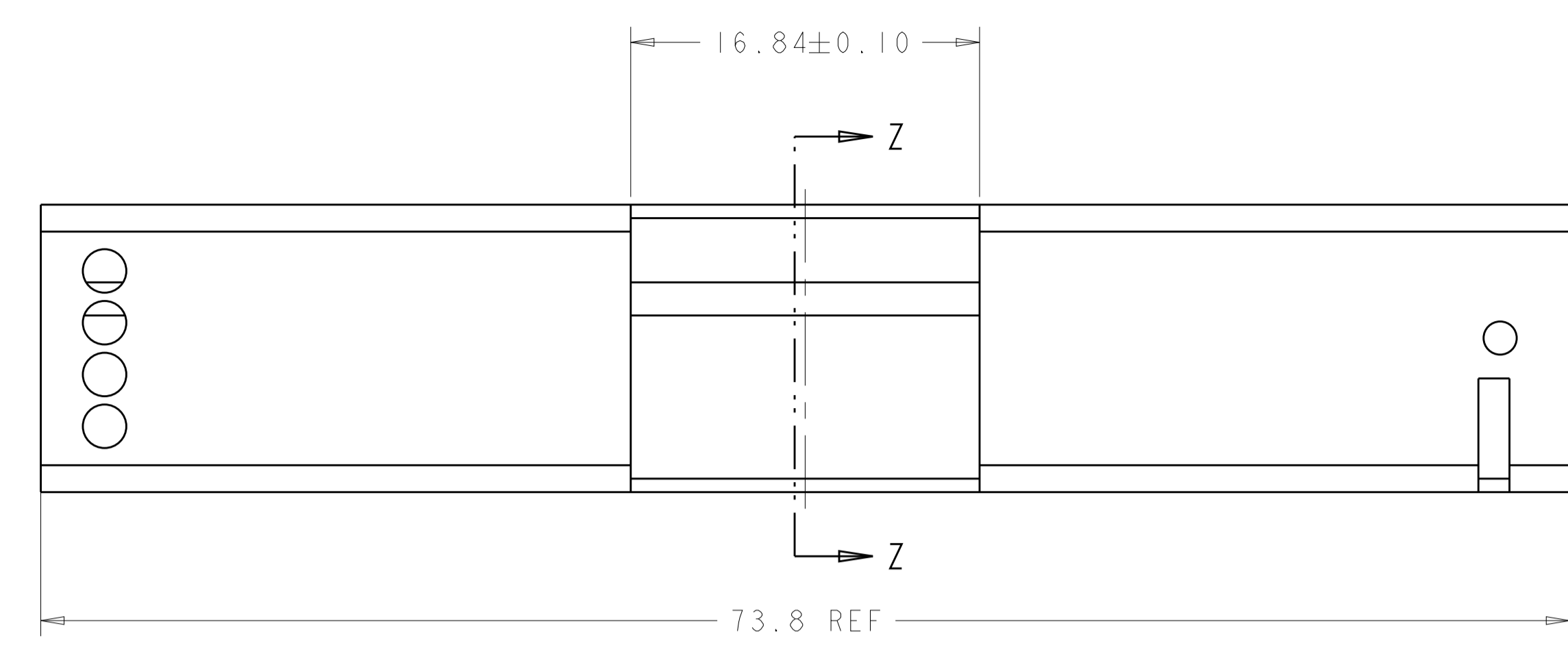
SECTION Z-Z



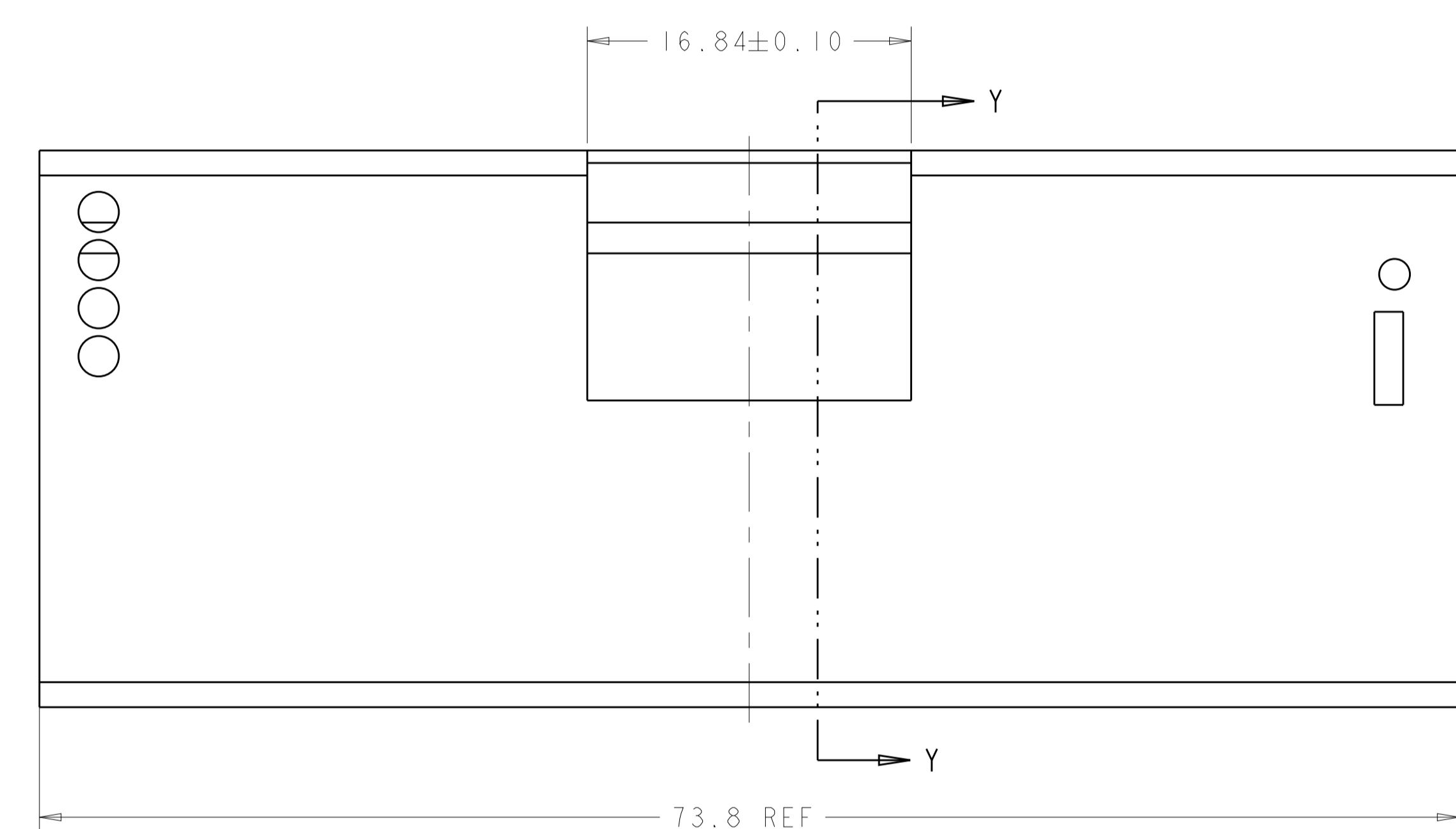
SECTION Y-Y



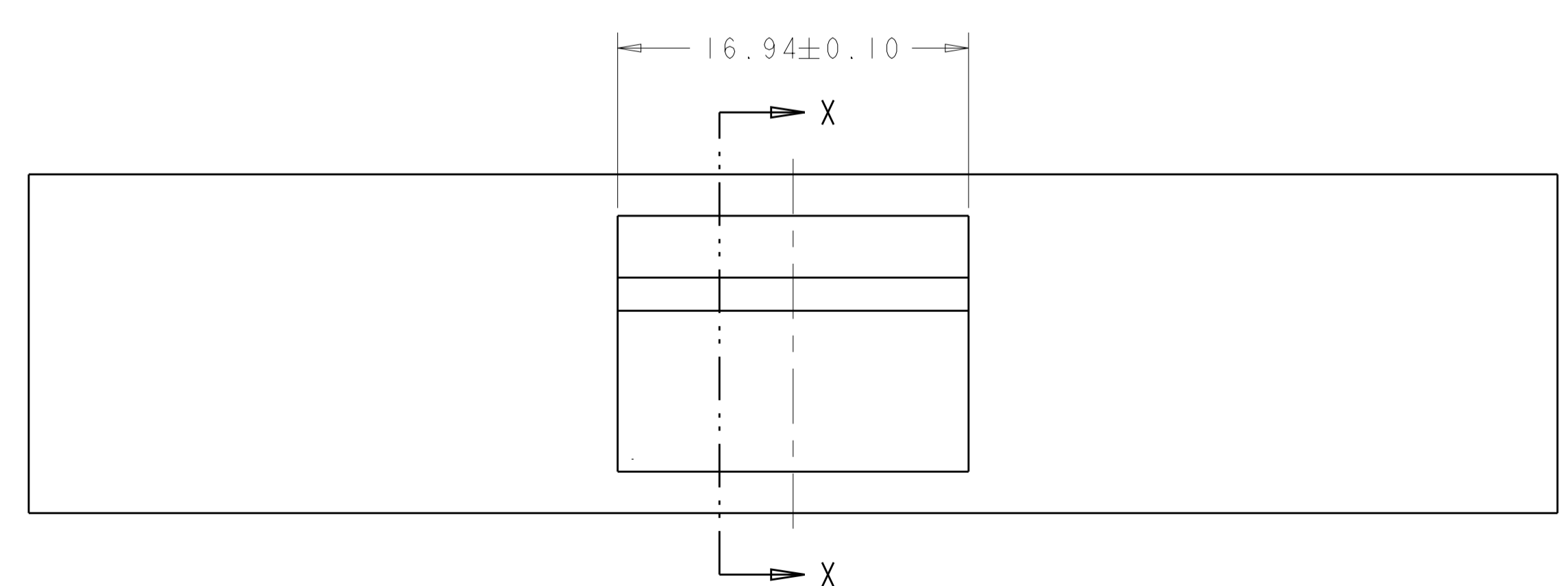
SECTION X-X



AMC SINGLE WIDTH, HALF HEIGHT MODULE FACE PLATE
SCALE 4:1



AMC SINGLE WIDTH, FULL HEIGHT MODULE FACE PLATE
SCALE 4:1



STANDARD FACE PLATE
SCALE 4:1

THIS DRAWING IS A CONTROLLED DOCUMENT.		DWN: MS/L.A.MAYER 15FEB2008	TE Connectivity
DIMENSIONS: mm		CHK: J.WESTMAN 15FEB2008	
TOLERANCES UNLESS OTHERWISE SPECIFIED:		APVD: S.FLICKINGER 15FEB2008	NAME: CONNECTOR ASSEMBLY, LOW PROFILE, PRESS FIT, MODULAR JACK, IX1, RJ45 PRODUCT SPEC: 108-2274 APPLICATION SPEC: 114-13179
0 PLC ± 1 PLC ±0.13 2 PLC ± 3 PLC ± 4 PLC ± ANGLES ±°		SIZE: A1 CAGE CODE: 100779 DRAWING NO: 1888250	
MATERIAL: SEE NOTE 1		FINISH: SEE NOTE 1	RESTRICTED TO: - SCALE: 5:1 SHEET 3 OF 3 REV D