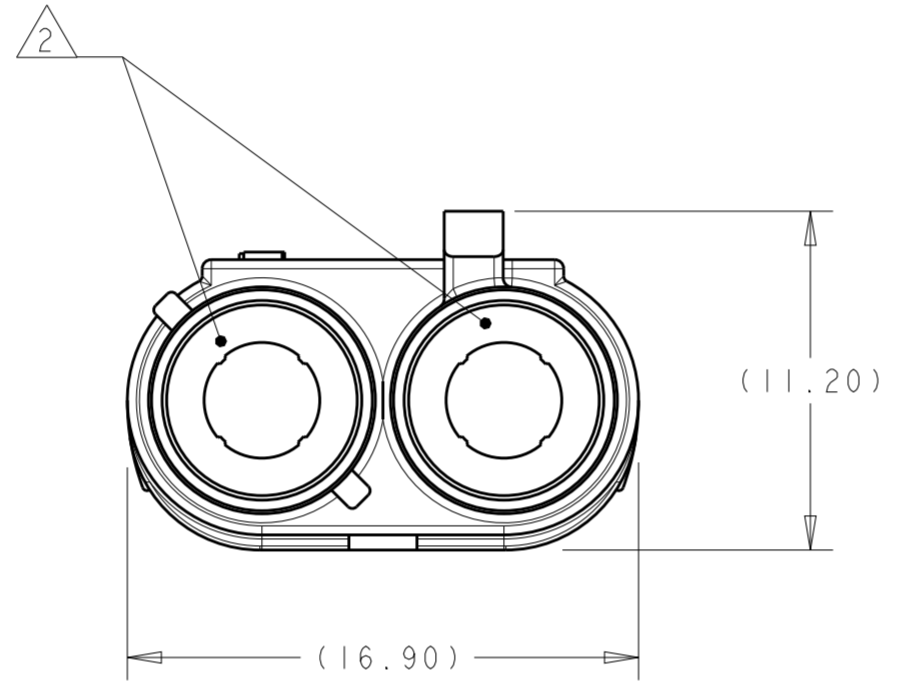
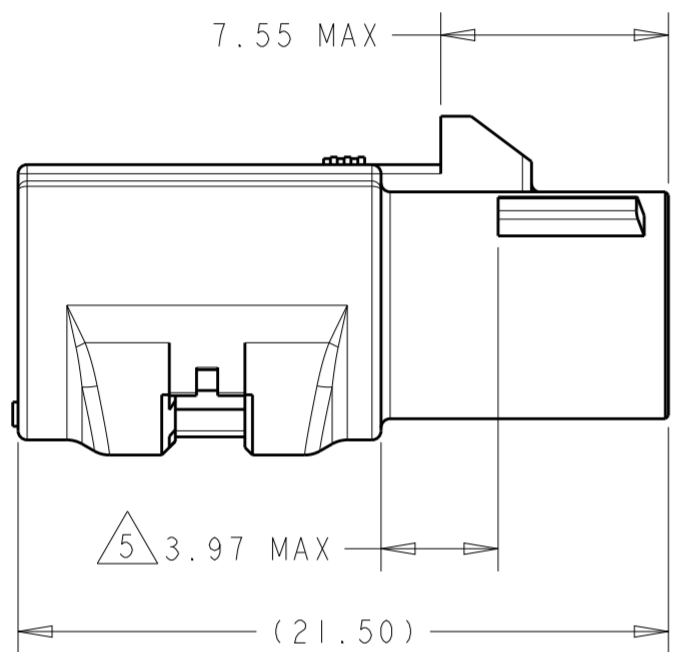


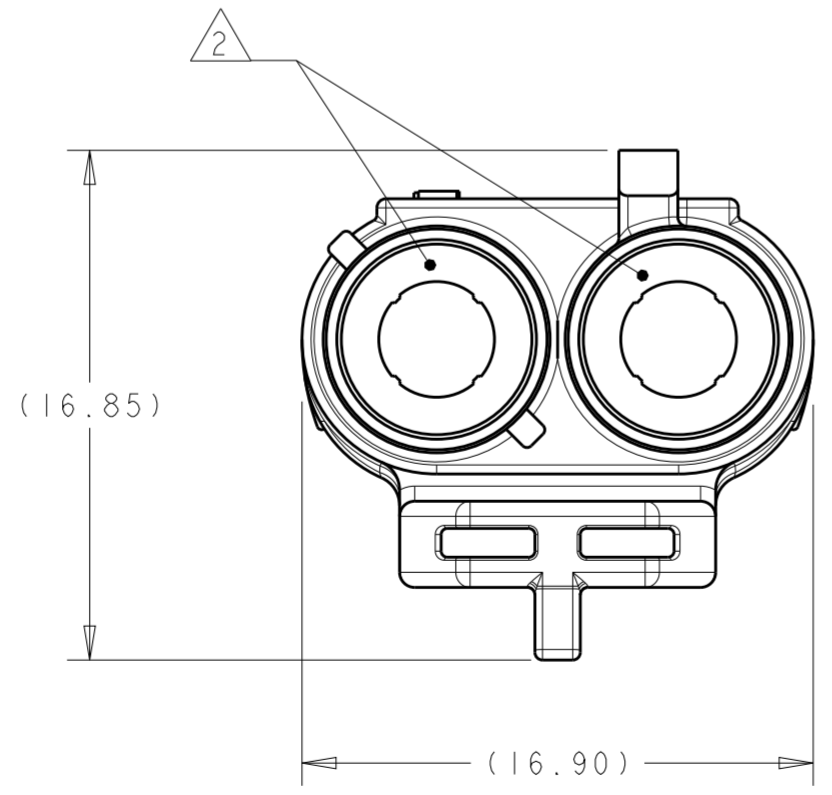
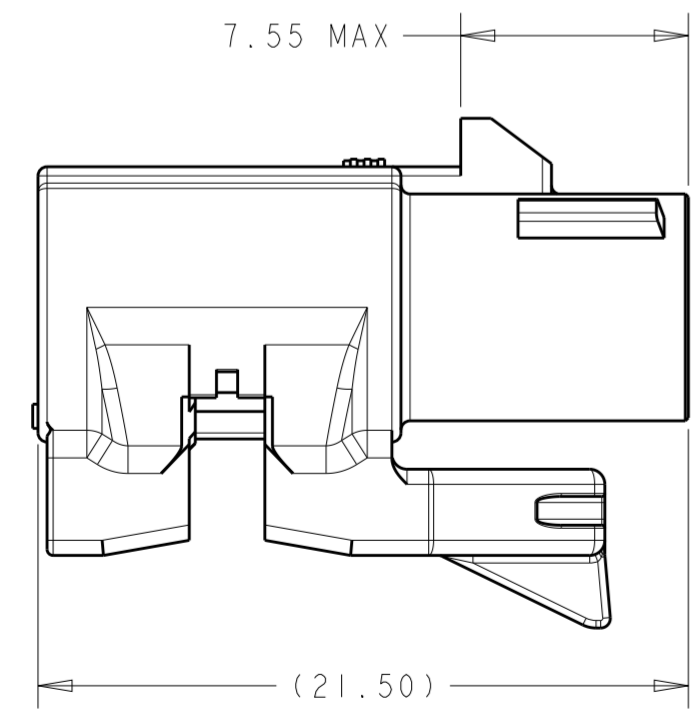
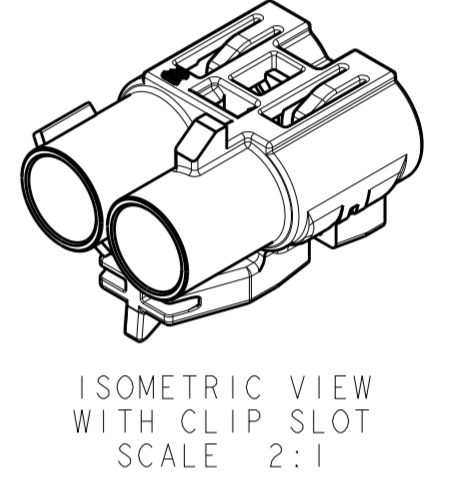
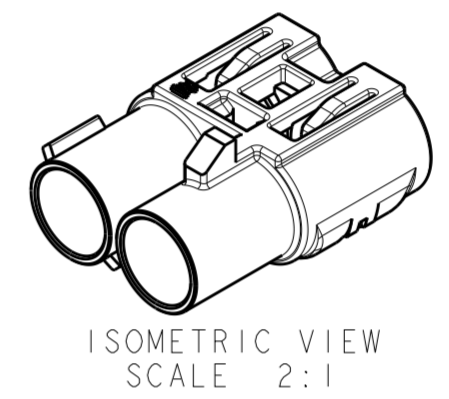
THIS DRAWING IS UNPUBLISHED. RELEASED FOR PUBLICATION 20
 © COPYRIGHT 20 BY - ALL RIGHTS RESERVED.

REVISIONS				
P	LTR	DESCRIPTION	DATE	APVD
D3		REVISED PER ECO-15-009269	25SEP2015	DD LV
D4		REVISED PER ECO-16-001206	28JAN2016	DD LV

- ① POLYESTER PBT, COLOR: SEE TABLE.
- ② JACK HOUSING INTERFACE PER DIN 72594-1, ROAD VEHICLES - RADIO FREQUENCY INTERFACE - DIMENSIONS AND ELECTRICAL REQUIREMENTS.
- ③ PART HAS NOT BEEN TOOLED CONTACT TE.
- ④ PART HAS FEATURES FOR POWER INSERT IN POSITION 1.
- ⑤ DIMENSION APPLIES TO ALL CODING RIBS.



JACK HOUSING WITHOUT CLIP SLOT



JACK HOUSING WITH CLIP SLOT

③ ④	PER DETAIL BH	B	SIGNAL WHITE	7-1924855-2
④	PER DETAIL AH	A	BLACK	7-1924855-1
	PER DETAIL K	K	CURRY	6-1924855-0
③	PER DETAIL G	G	BLUE GREY	5-1924855-7
③	PER DETAIL F	F	NUT BROWN	5-1924855-6
③	PER DETAIL E	E	LEAF GREEN	5-1924855-5
	PER DETAIL D	D	CLARET VIOLET	5-1924855-4
	PER DETAIL C	C	SIGNAL BLUE	5-1924855-3
③	PER DETAIL B	B	SIGNAL WHITE	5-1924855-2
③	PER DETAIL A	A	BLACK	5-1924855-1
	PER DETAIL K	K	CURRY	1-1924855-0
③	PER DETAIL G	G	BLUE GREY	1924855-7
③	PER DETAIL F	F	NUT BROWN	1924855-6
	PER DETAIL E	E	LEAF GREEN	1924855-5
	PER DETAIL D	D	CLARET VIOLET	1924855-4
	PER DETAIL C	C	SIGNAL BLUE	1924855-3
	PER DETAIL B	B	SIGNAL WHITE	1924855-2
	PER DETAIL A	A	BLACK	1924855-1
	KEYING	CODING REF	HOUSING COLOR	PART NUMBER

THIS DRAWING IS A CONTROLLED DOCUMENT.

DWN	K. PETERSON	10DEC2008
CHK	L. VARSIK	10DEC2008
APVD	L. VARSIK	10DEC2008

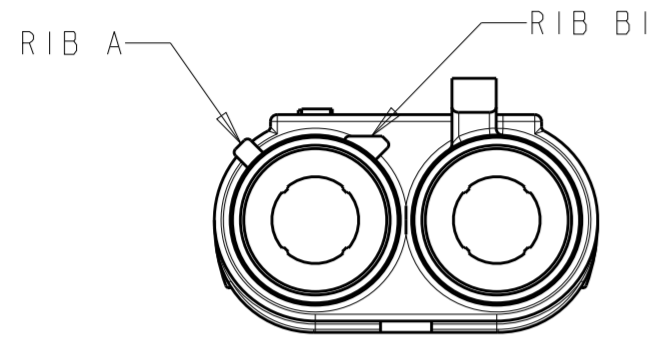
STE TE Connectivity

JACK HOUSING, 2 POSITION, 8.0mm, FAKRA 4

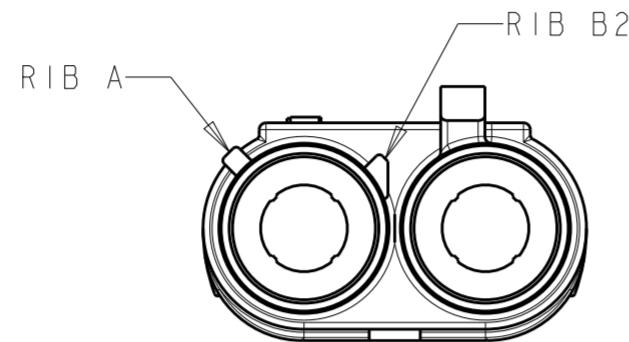
SIZE	A2	CAGE CODE	00779	DRAWING NO	C-1924855	RESTRICTED TO	-	
CUSTOMER DRAWING	SCALE	4:1	SHEET	1	OF	2	REV	D4

THIS DRAWING IS UNPUBLISHED. RELEASED FOR PUBLICATION 20
 © COPYRIGHT 20 BY - ALL RIGHTS RESERVED.

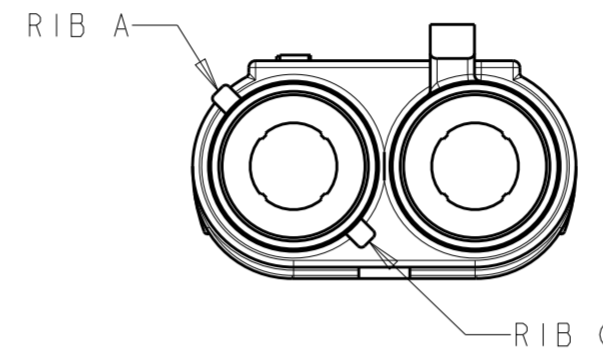
REVISIONS				
P	LTR	DESCRIPTION	DATE	APVD
-	-	SEE SHEET 1	-	-



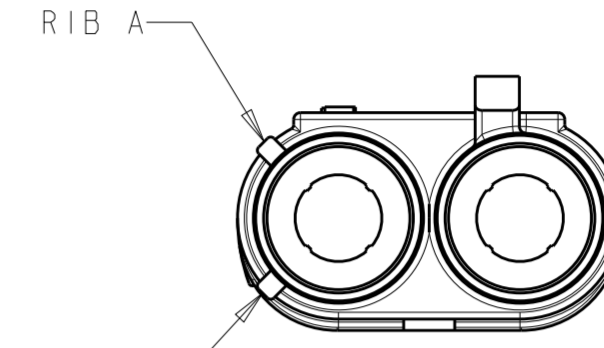
DETAIL A
SCALE 3:1



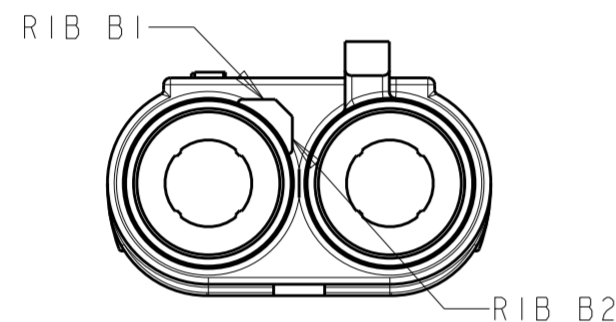
DETAIL B
SCALE 3:1



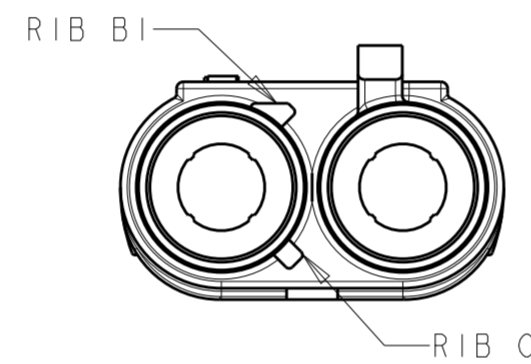
DETAIL C
SCALE 3:1



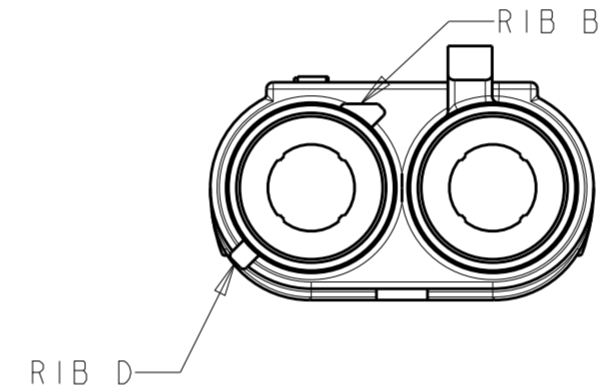
DETAIL D
SCALE 3:1



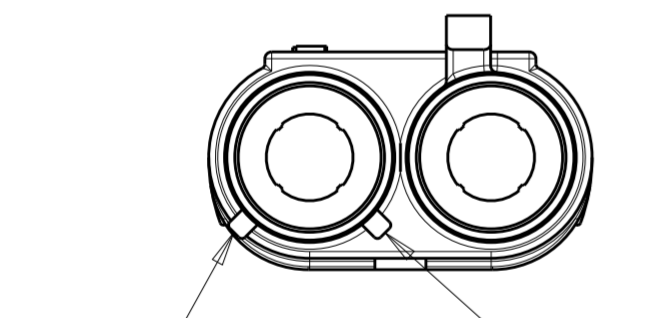
DETAIL E
SCALE 3:1



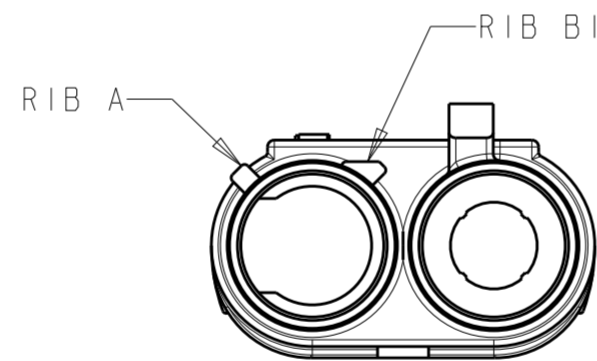
DETAIL F
SCALE 3:1



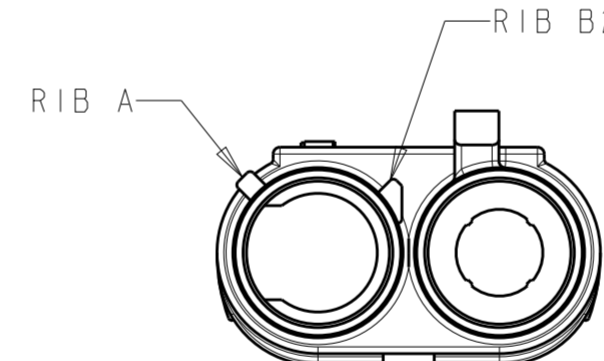
DETAIL G
SCALE 3:1




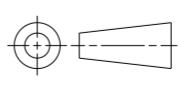
DETAIL K
SCALE 3:1



DETAIL AH
SCALE 3:1



DETAIL BH
SCALE 3:1

THIS DRAWING IS A CONTROLLED DOCUMENT.		DWN K. PETERSON 10DEC2008	 TE Connectivity	
DIMENSIONS: mm		CHK L. VARSIK 10DEC2008		
TOLERANCES UNLESS OTHERWISE SPECIFIED:		APVD L. VARSIK 10DEC2008	NAME JACK HOUSING, 2 POSITION, 8.0mm, FAKRA 4	
		PRODUCT SPEC -	SIZE A200779	
MATERIAL -		APPLICATION SPEC -	DRAWING NO C-1924855	RESTRICTED TO -
FINISH -		WEIGHT -	SCALE 4:1	SHEET 2 OF 2
CUSTOMER DRAWING		REV D4		