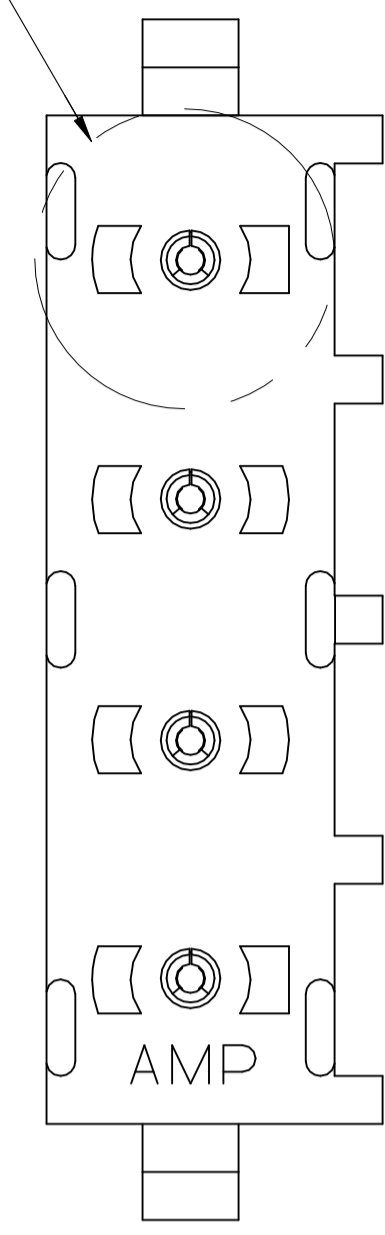
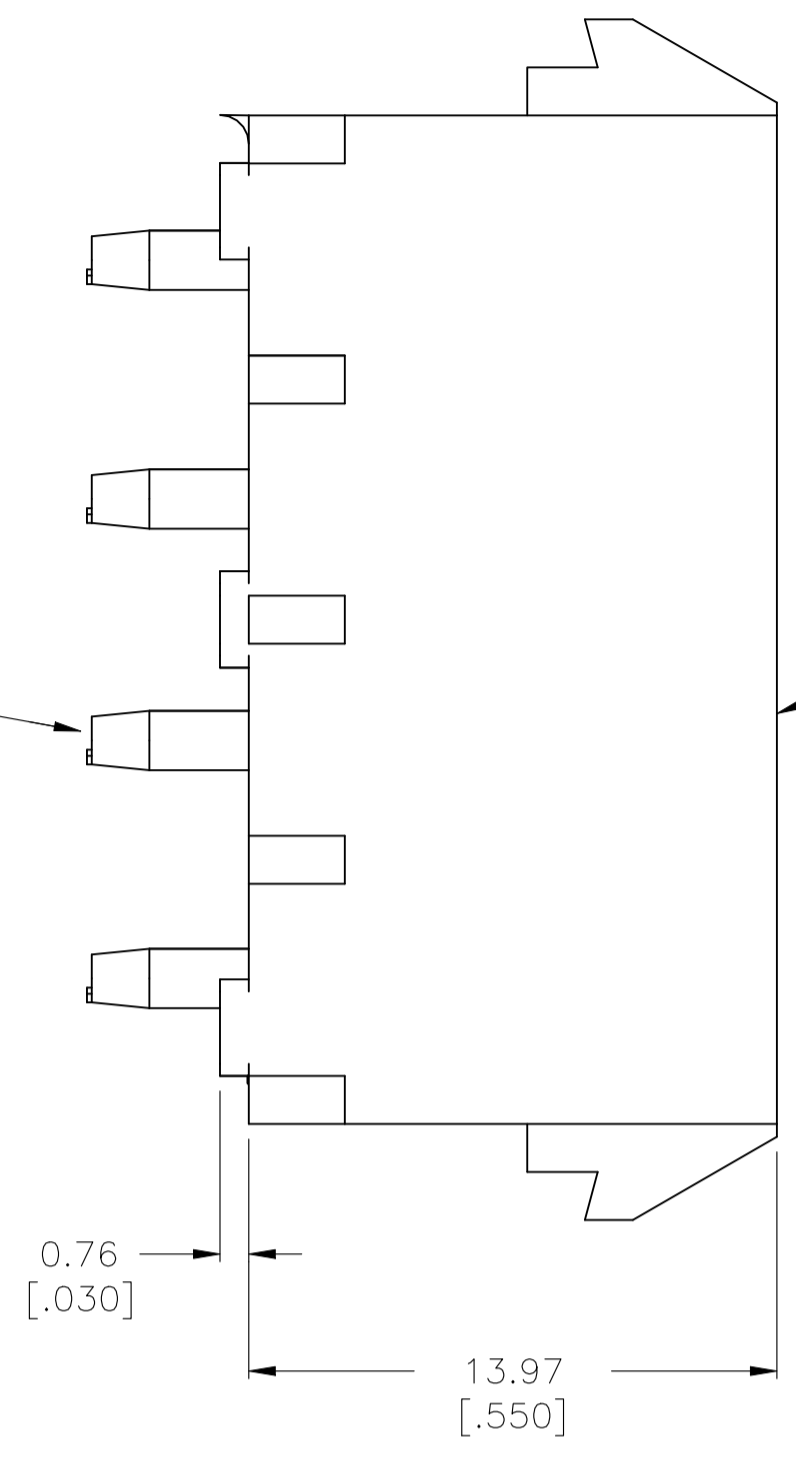


REVISIONS					
REV	DATE	DESCRIPTION	BY	CHK	APP'D
A2	02NOV2021	REVISED PER ECR-21-119230	SS	VS	

SEE DETAIL A



CONTACT 4 REQ'D

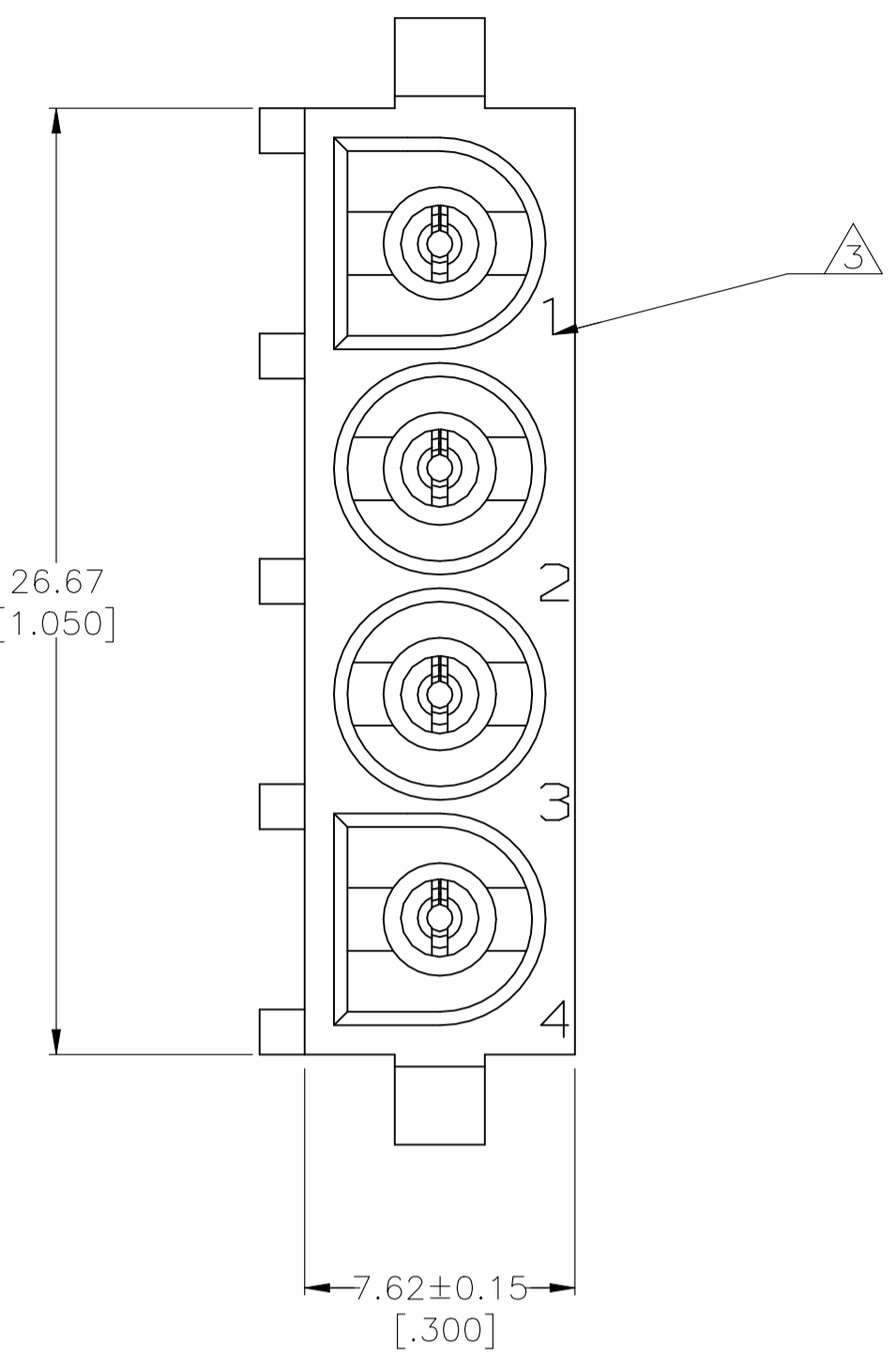


HOUSING

26.67
[1.050]

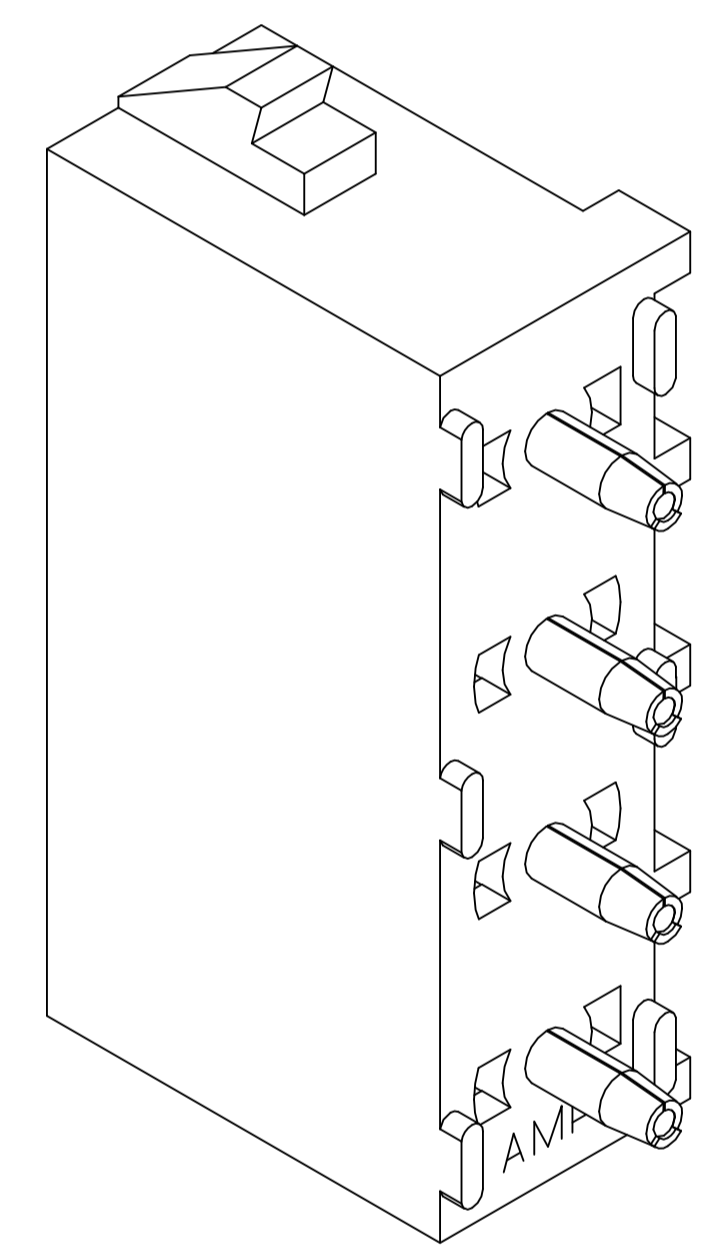
0.76
[.030]

13.97
[.550]

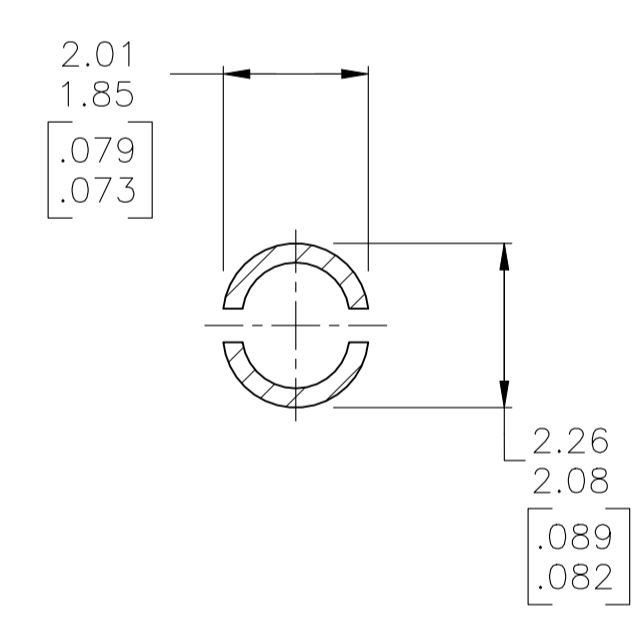
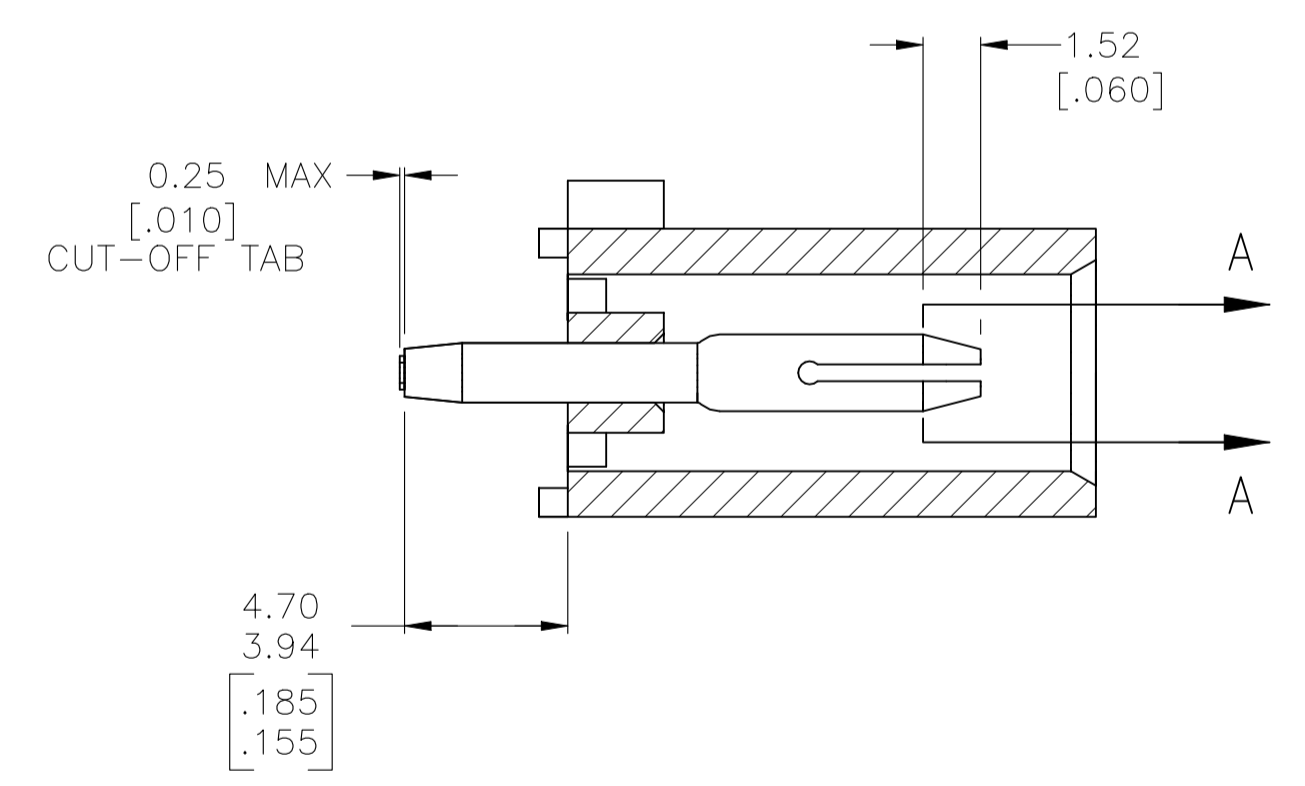


7.62±0.15
[.300]

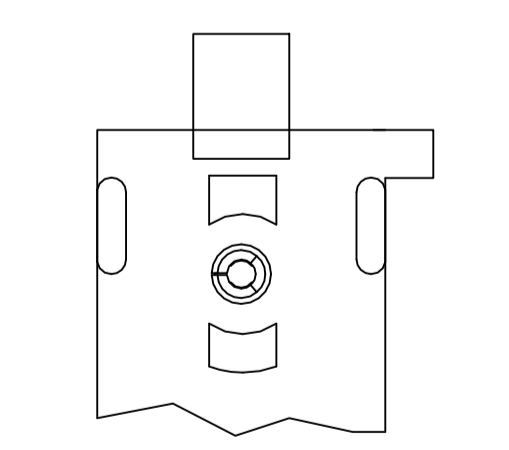
- PARTS COMPLY TO TE SOLDERABILITY SPECIFICATION 109-11-3.
- △ DRAIN HOLES LOCATED AS SHOWN. OPTIONAL CONSTRUCTION - ALL DRAIN HOLES LOCATED 90° AS SHOWN IN DETAIL A.
- △ CIRCUIT IDENTIFICATION CHARACTERS ARE ADJACENT TO THE INDICATED CAVITIES, BUT LOCATION AND ORIENTATION MAY DIFFER FROM PRINT.
- DIMENSIONS IN BRACKETS ARE IN INCHES.
- FLAMMABILITY UL V-0 FOR THICKNESS 0.4, 0.45, 0.8, 1.6, AND 3.0 PER IEC 60695-11-10.
- GLOW WIRE FLAMMABILITY (GWF): 960°C FOR THICKNESS 0.45, 0.8, 1.6, AND 3.0 PER IEC 60695-2-12.
- GLOW WIRE IGNITION (GWI): 825°C FOR THICKNESS 0.45, 800°C FOR THICKNESS 0.8, 775°C FOR THICKNESS 1.6 AND 3.0 PER IEC 60695-2-13.
- DIMENSIONS SHOWN REPRESENT PRODUCT IN DRY CONDITION. ADDITIONAL 2% GROWTH DUE TO END USE LOCATION MOISTURE ABSORPTION MAY OCCUR AND SHOULD BE ACCOUNTED FOR.



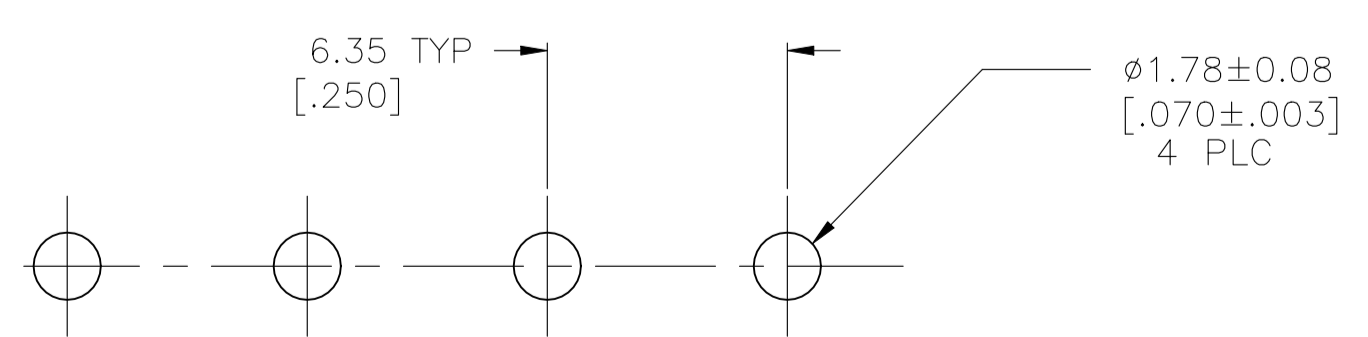
3-DIMENSIONAL MODEL NTS



SECTION A-A
SCALE 10:1



DETAIL A
OPTIONAL CONSTRUCTION
△



RECOMMENDED MOUNTING HOLE PATTERN FOR 1.57 [.062] THICK P.C. BOARD

PHOSPHOR BRONZE, PRE-TIN		NYLON, UL V-0 GW		1969807-1													
PIN CONTACT MATERIAL AND FINISH		HOUSING MATERIAL		PART NUMBER													
THIS DRAWING IS A CONTROLLED DOCUMENT.		DIN: PASVESH WARAD 02JAN2016 CHK: WICKES EVAN 02JAN2016															
DIMENSIONS: mm [INCHES]		TOLERANCES UNLESS OTHERWISE SPECIFIED:		NAME: PIN HEADER ASSEMBLY, 4 CIRCUIT UNIVERSAL MATE-N-LOK(TM)													
<table border="1"> <tr><td>0 PLC</td><td>± -</td></tr> <tr><td>1 PLC</td><td>± -</td></tr> <tr><td>2 PLC</td><td>± 0.13 [.005]</td></tr> <tr><td>3 PLC</td><td>± -</td></tr> <tr><td>4 PLC</td><td>± -</td></tr> <tr><td>ANGLES</td><td>± 0°30'</td></tr> </table>		0 PLC	± -	1 PLC	± -	2 PLC	± 0.13 [.005]	3 PLC	± -	4 PLC	± -	ANGLES	± 0°30'	APPLICATION SPEC		SIZE: A1	
0 PLC	± -																
1 PLC	± -																
2 PLC	± 0.13 [.005]																
3 PLC	± -																
4 PLC	± -																
ANGLES	± 0°30'																
MATERIAL: SEE TABLE		FINISH: SEE TABLE		WEIGHT: 0.000000													
		CUSTOMER DRAWING		SCALE: 5:1 SHEET 1 OF 1 REV: A2													