

REVISIONS				
P	LTR	DESCRIPTION	DATE	APVD
C		REVISED PER ECO-18-013690	24OCT2018	SR PO

SPECIFICATIONS:

MATERIAL

BASE, PPS, UL94V-0, BLACK  
 COVER, PPS, UL94V-0, BLACK  
 ACTUATOR, PA6T, UL94V-0, WHITE  
 FIXED CONTACT/TERMINAL, CU ALLOY-GOLD FLASH OVER NICKEL  
 MOVING CONTACT, CU ALLOY, PLATE-GOLD FLASH/NICKEL  
 CLIP, STAINLESS STEEL

ELECTRICAL

MAX CONTACT RATING SWITCHING, 100MILLIAMPS @ 24 VDC  
 MIN CONTACT RATING SWITCHING, .1MICROAMP @ 1 MILLIVOLT  
 MAX CONTACT NON-SWITCHING, 1AMP @ 5 VDC  
 INITIAL CONTACT RESISTANCE, 50 MILLIOHMS MAX.  
 CONTACT RESISTANCE (AFTER ENVIRONMENTAL TEST), 100 MILLIOHMS  
 CONTACT RESISTANCE (AFTER GAS TEST), 300 MILLIOHMS  
 INSULATION RESISTANCE, 1,000 MEGOHMS MIN. @ 100 VDC  
 DIELECTRIC STRENGTH, 500 VAC RMS @ SEA LEVEL  
 LIFE EXPECTANCY, 1,000 CYCLES

MECHANICAL

OPERATING FORCE, LESS THAN 800 GRAMS  
 CONTACT PRESSURE, 280,000 PSI

ENVIRONMENTAL

OPERATING TEMPERATURE, -30 TO +85 DEGREES C  
 STORAGE TEMPERATURE, -45 TO + 105 DEGREES C  
 ENVIRONMENT TEMP IN THE APPLICATION WITHOUT SWITCHING MAX 105 DEGREES C  
 CLEANING, AQUEOUS OR SOLVENT  
 SOLDER HEAT RESISTANCE, PER 109-201, COND B, SWITCH "OFF".  
 SOLDERABILITY PER JIS C 0050 & JIS C 0053

- SWITCHES TO BE RECEIVED IN THE "OFF" POSITION AND PACKAGED ON TAPE AND REEL, PACKAGED PER EIA-481.
- TOP SURFACE TO BE CLEARLY MARKED AS SHOWN.
- SWITCHES TO BE BLACK WITH WHITE ACTUATORS AND MARKINGS.
- ALL MATERIALS AND FINISHES SHALL COMPLY WITH EU DIRECTIVE 2002 /95/EC OF 27JAN2003 (ROHS).

5 MODEL NUMBER ON THIS SURFACE.

6 LOT CODE MARKING

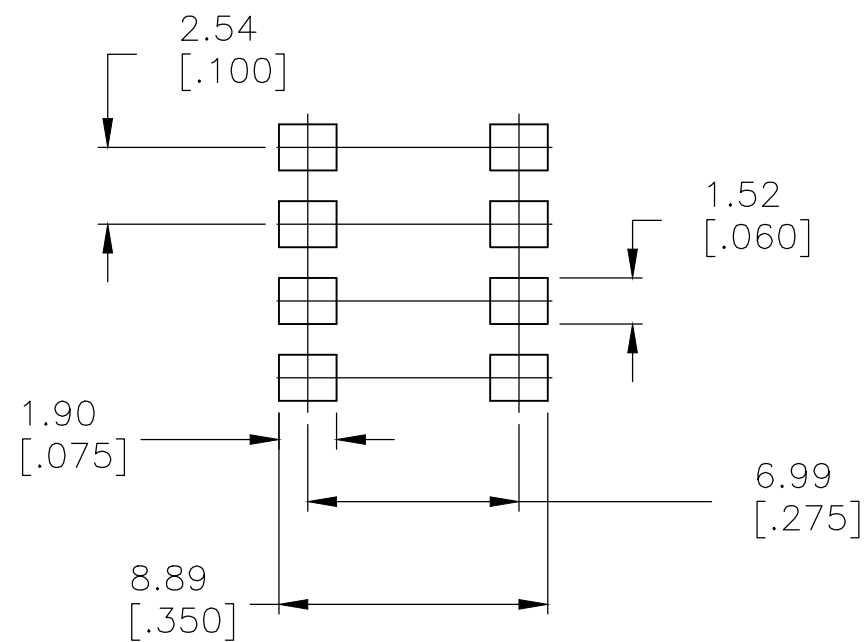
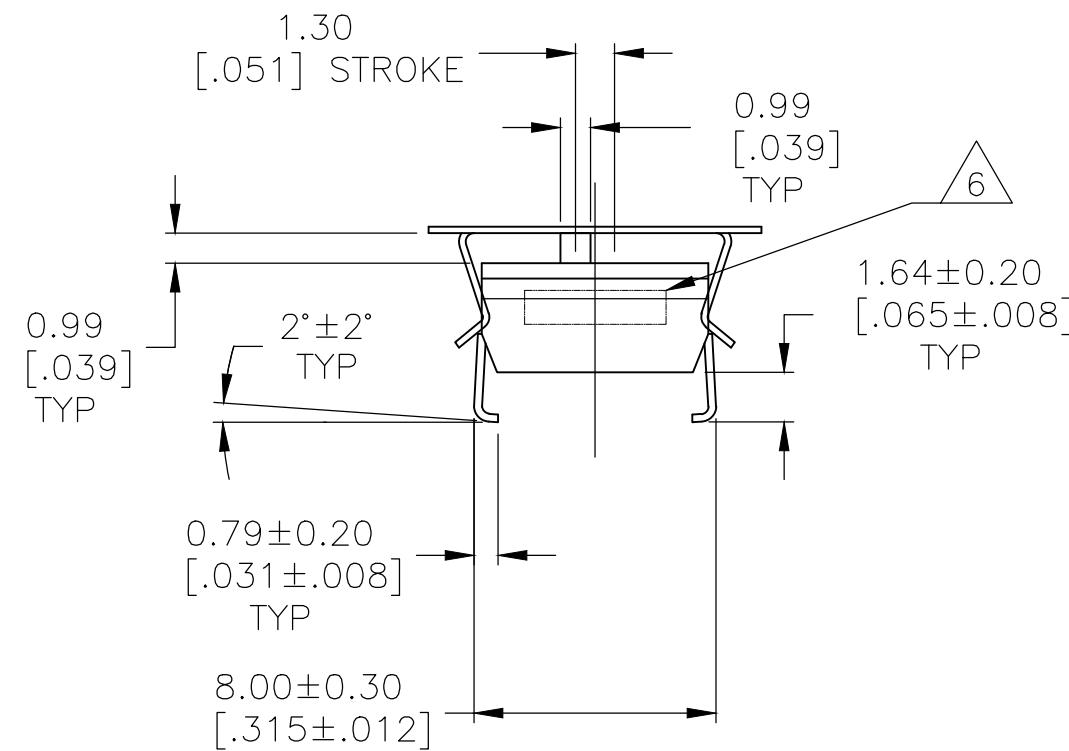
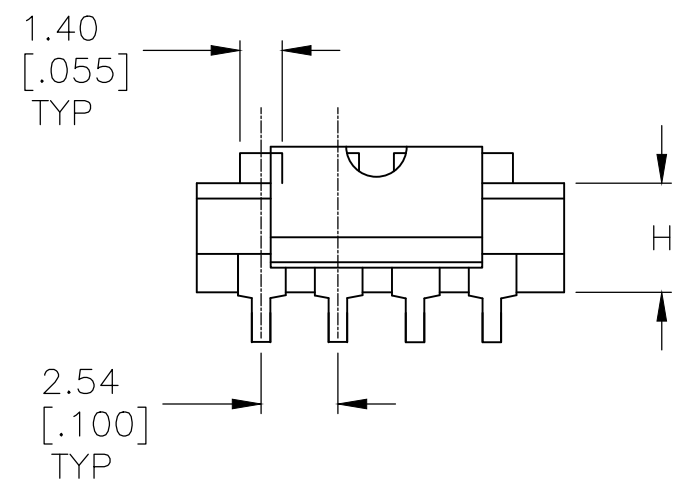
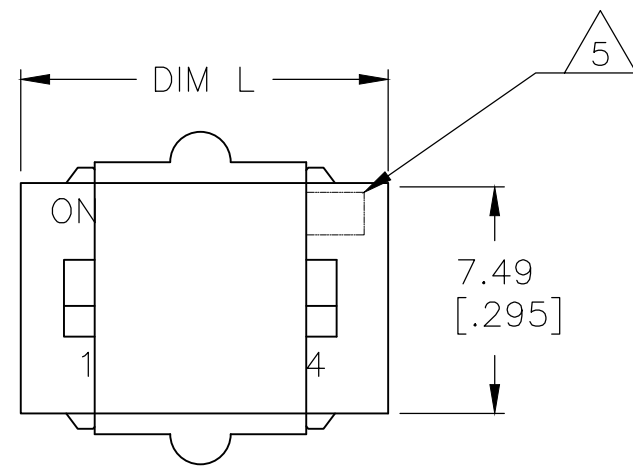
15 5 8 A1

SPACE INTERNAL CONTROL No. (2-digit)

YEAR OF PRODUCTION WITH 1-DIGIT FIGURE(4TH DIGIT OF CALENDAR YEAR)  
 (EXAMPLE: Y2018: 8; Y2019: 9)

MONTH OF PRODUCTION WITH 1-DIGIT FIGURE OR ALPHABET  
 (EXAMPLE: 1~9, X(10), Y(11), Z(12))

DATE OF PRODUCTION WITH 2-DIGIT FIGURES(01-31)



RECOMMENDED PAD LAYOUT  
 SURFACE MOUNT  
 SA

ADE04SATR04S	4	1977282-1
T&B P/N	POS	PART NUMBER

THIS DRAWING IS A CONTROLLED DOCUMENT.		DWN M.BINNER 14JAN08	TE Connectivity Ltd.	
DIMENSIONS: mm [INCHES]		CHK M.SARVER 14JAN08	NAME DIP SWITCH, ADE04SATR, SPECIAL	
TOLERANCES UNLESS OTHERWISE SPECIFIED:		APVD M.SARVER 14JAN08	SIZE A2	
0 PLC ± -		PRODUCT SPEC	CAGE CODE 00779	DRAWING NO C=1977282
1 PLC ± -		APPLICATION SPEC	RESTRICTED TO	
2 PLC ± 0.30[.012]			SCALE 4:1	SHEET 1 of 1
3 PLC ± -			REV C	
4 PLC ± -				
ANGLES ± -				
FINISH		WEIGHT -		
SEE SPECS		CUSTOMER DRAWING		