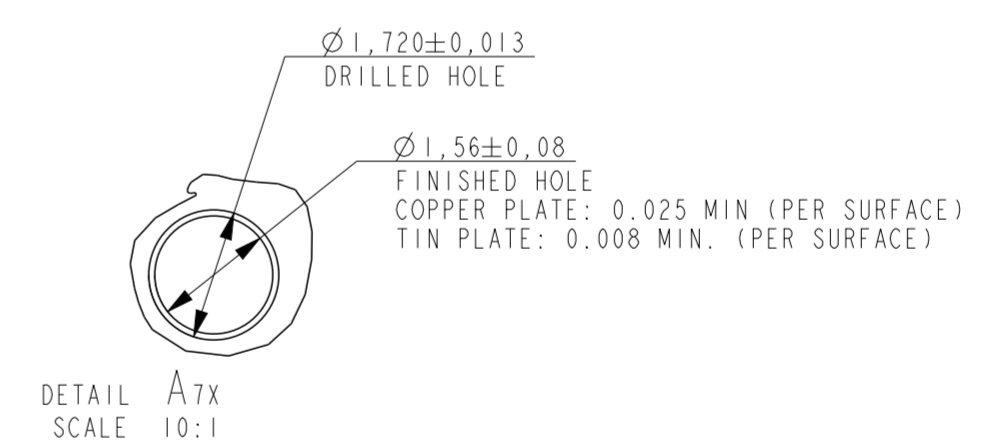
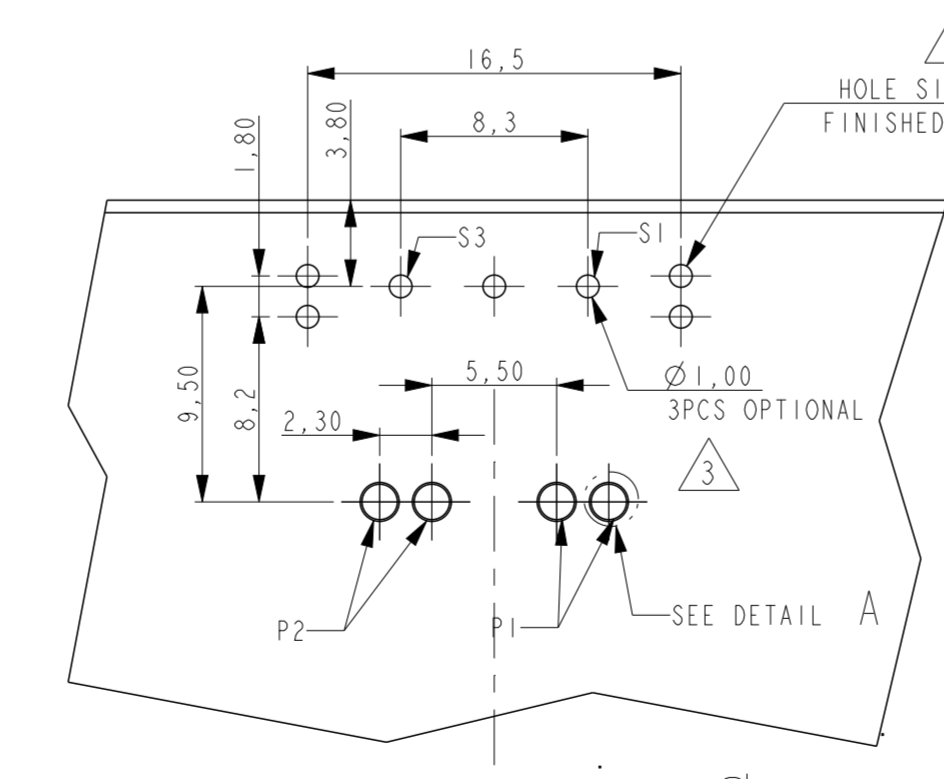
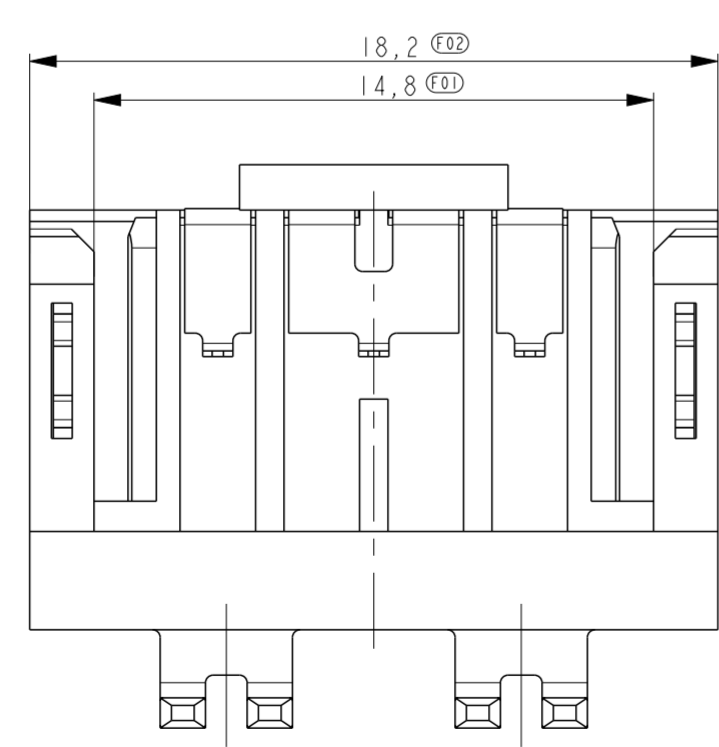
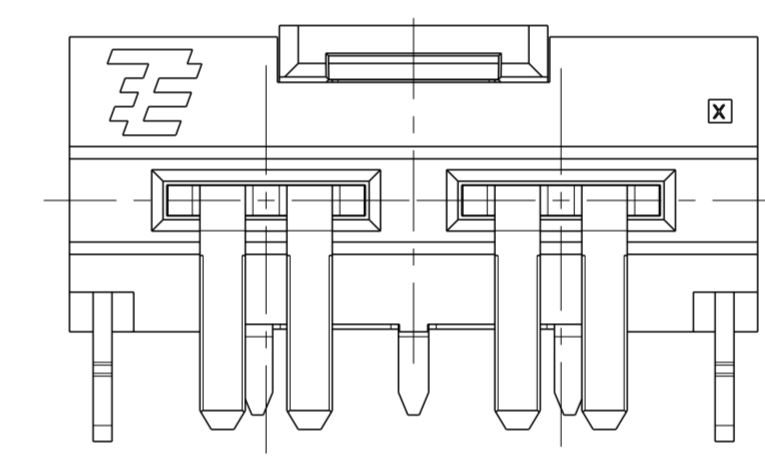
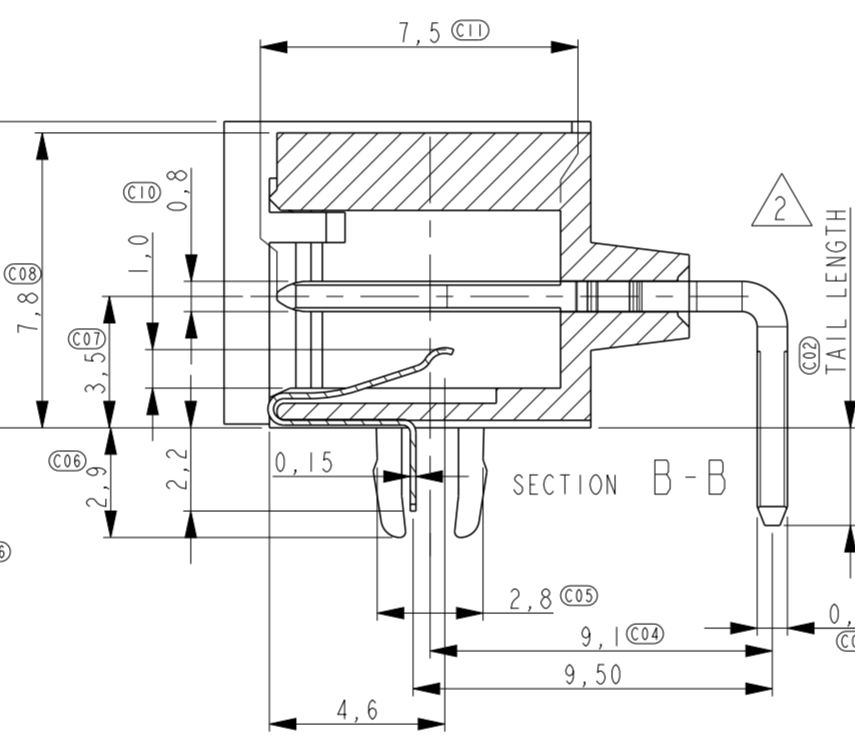
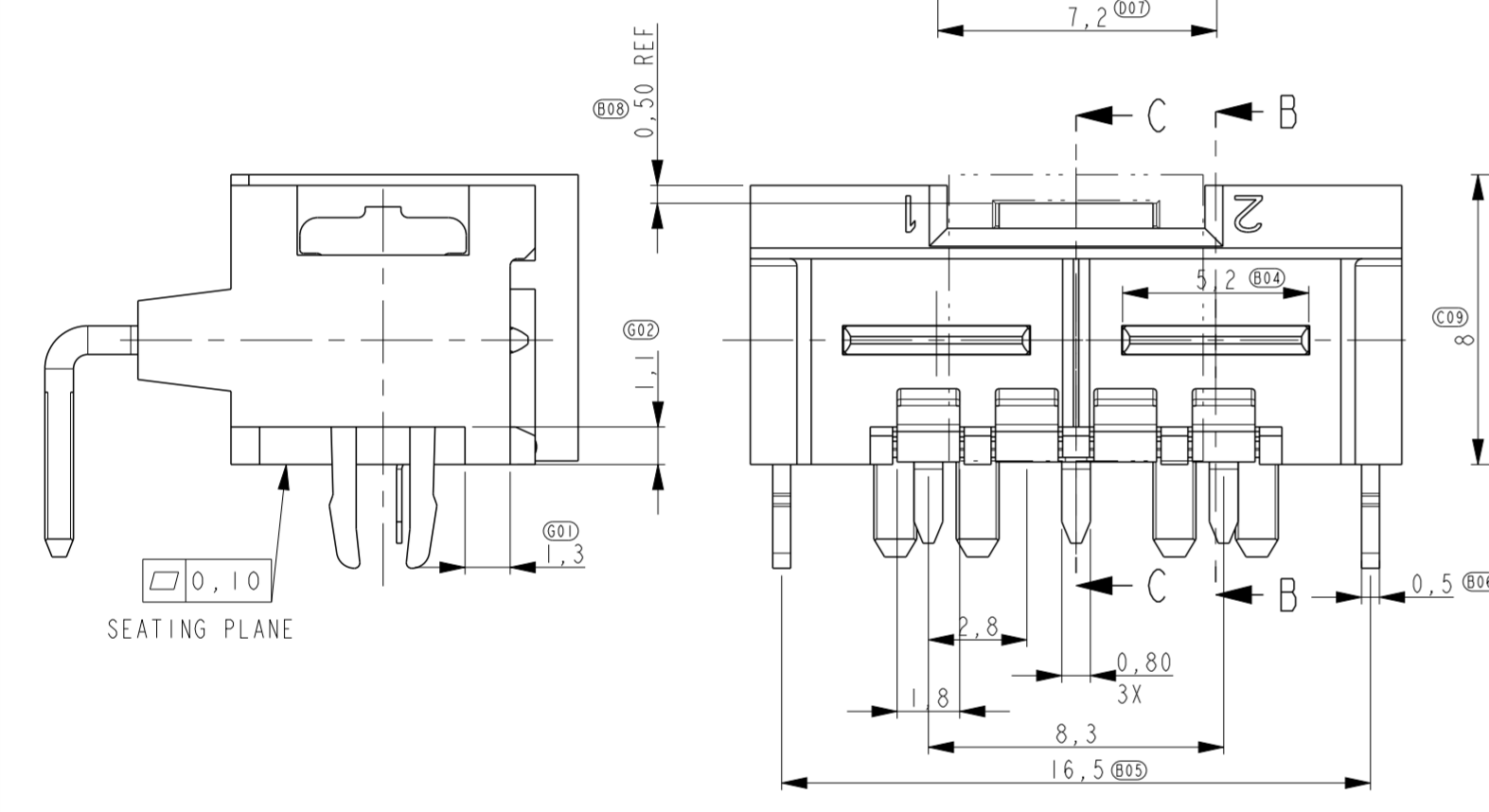
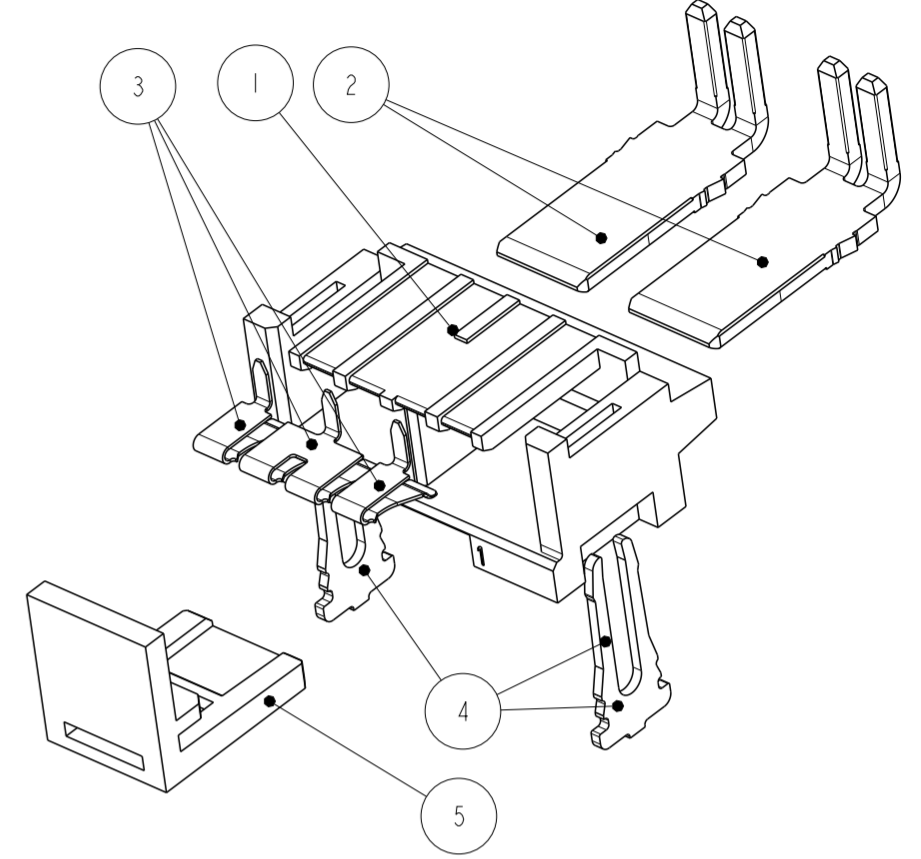
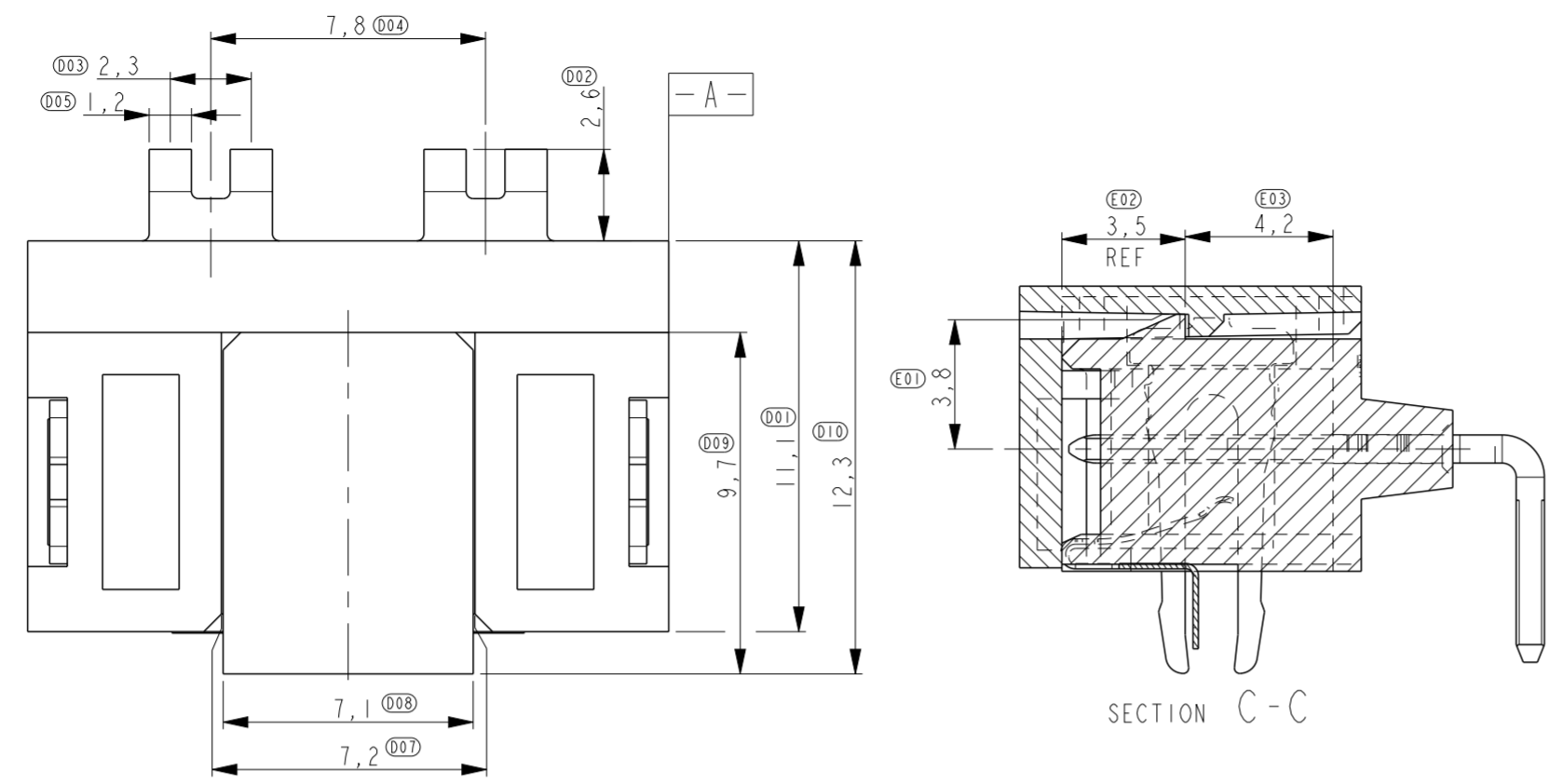


THIS DRAWING IS UNPUBLISHED. RELEASED FOR PUBLICATION  
 © COPYRIGHT - TE CONNECTIVITY ALL RIGHTS RESERVED.

LOC		DIST		REVISIONS				
P	LTR	DESCRIPTION	DATE	DWN	APVD			
	C8	ADD -8	05JUN2023	OL	WY			



ITEM NO.	DESCRIPTION	MATERIAL	FINISH	QTY	QTY	QTY	QTY	QTY	QTY
5	PICK&PLACE ADAPTOR	POLYAMIDE, NATURAL		-	1	-	1	1	1
4	HOLD DOWN	DINI544 CK75		2	2	2	2	2	2
3	CONTACT DETECTION	COPPER ALLOY		-	-	4	-	-	4
2	CONTACT POWER TAB	COPPER ALLOY		-	2	-	2	-	-
2	CONTACT POWER TAB	COPPER ALLOY		2	-	2	-	2	2
1	HOUSING	LCP GF UL94V-0, BLACK		1	1	1	1	1	1

NOTES:  
 1. DURABILITY OF 1982295-4 CAN BE DECLARED ONLY AFTER TESTING.  
 2. TAIL LENGTH IS 3.6<sup>+0.10</sup>/<sub>-0.20</sub> MM FOR -6, OTHERS ARE 2.6 MM  
 3. OPTIONAL, THEY ARE FINISHED HOLE SIZE AND REQUIRED WHEN CODING CONTACTS NEEDED.  
 4. HOLE SIZE IS 1.00MM FOR MOST APPLICATIONS. HOLE SIZE IS 1.5MM FOR NO INTERFERENCE WHEN MOUNTING FOR SPECIAL REQUIREMENT.

ITEM NO.	DESCRIPTION	MATERIAL	FINISH	QTY	QTY	QTY	QTY	QTY	QTY
5	PICK&PLACE ADAPTOR	POLYAMIDE, NATURAL		-	1	-	1	1	1
4	HOLD DOWN	DINI544 CK75		2	2	2	2	2	2
3	CONTACT DETECTION	COPPER ALLOY		-	-	4	-	-	4
2	CONTACT POWER TAB	COPPER ALLOY		-	2	-	2	-	-
2	CONTACT POWER TAB	COPPER ALLOY		2	-	2	-	2	2
1	HOUSING	LCP GF UL94V-0, BLACK		1	1	1	1	1	1

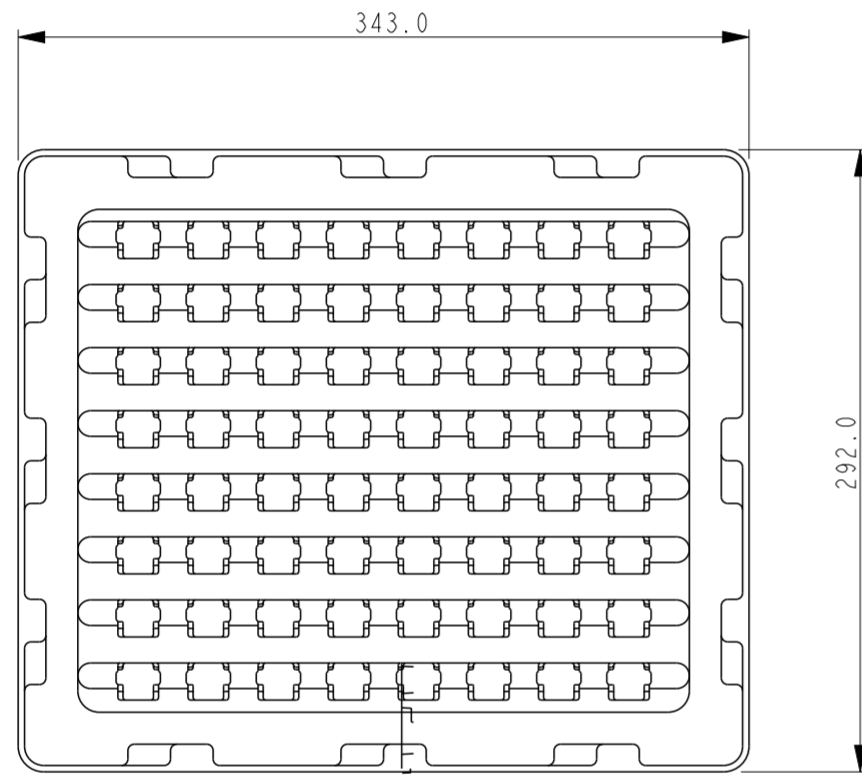
  

THIS DRAWING IS A CONTROLLED DOCUMENT.		DWN	03-Jul-23	 TE Connectivity ELCON Mini, 2-position header right-angle
		CHK	03-Jul-23	
		APVD	03-Jul-23	
		PRODUCT SPEC		
DIMENSIONS: mm		TOLERANCES UNLESS OTHERWISE SPECIFIED:	108-19346	NAME
0 PLC ±0.5		1 PLC ±0.1	114-19110	SIZE
2 PLC ±0.05		2 PLC ±	114-19110	CAGE CODE
3 PLC ±		3 PLC ±	114-19110	DRAWING NO
4 PLC ±		4 PLC ±	114-19110	RESTRICTED TO
ANGLES ±		ANGLES ±	114-19110	SCALE
FINISH		FINISH	114-19110	SHEET
			114-19110	OF
			114-19110	3
			114-19110	REV
			114-19110	C8

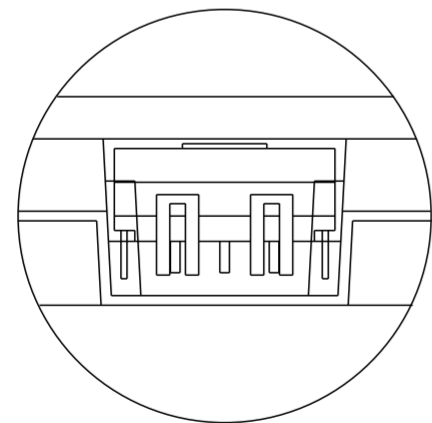
THIS DRAWING IS UNPUBLISHED. RELEASED FOR PUBLICATION  
 © COPYRIGHT - TE CONNECTIVITY ALL RIGHTS RESERVED.

LOC	DIST	REVISIONS			
P	LTR	DESCRIPTION	DATE	DWN	APVD
IR	-	SEE SHEET 1	-	-	-

NOTES:  
 1. TRAY (PN 3178822-1) PACKAGING IS ONLY FOR PN 1982295-5.

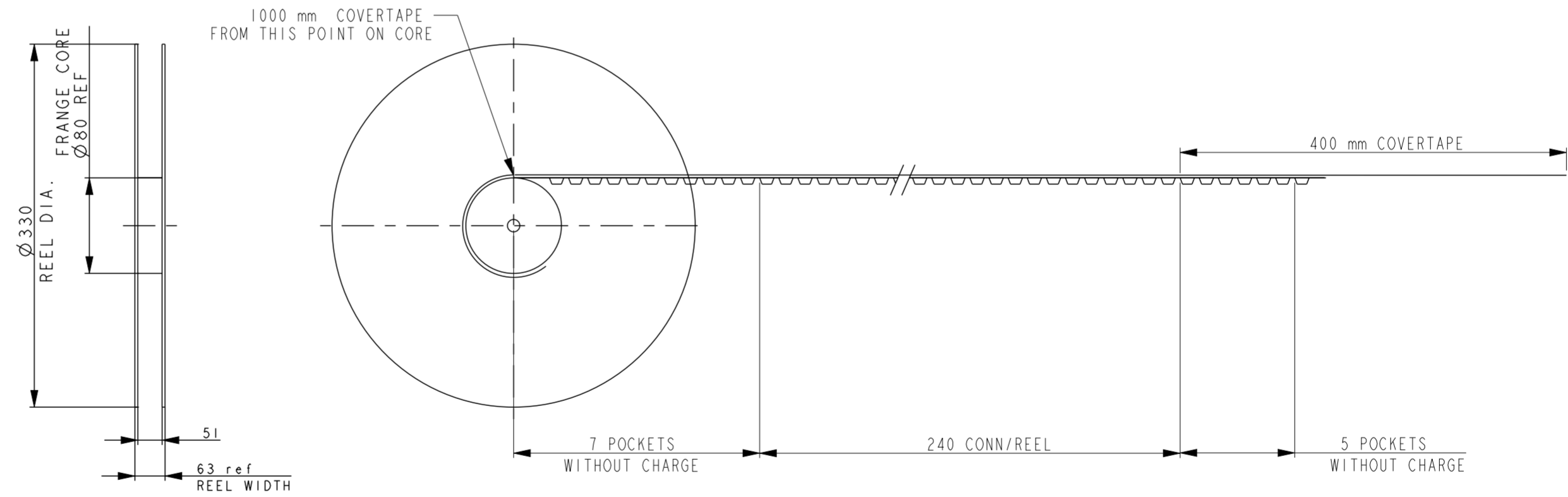
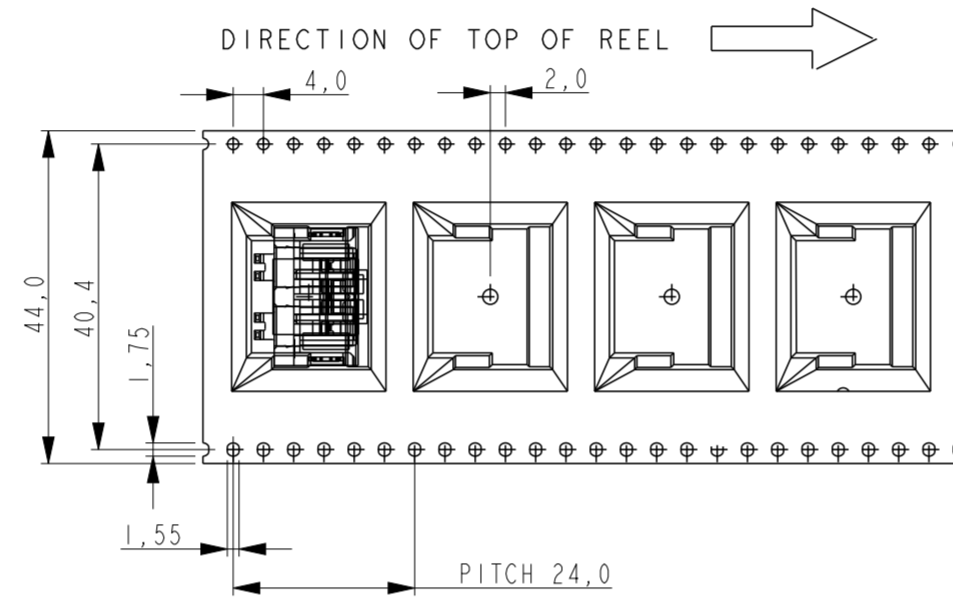


SEE DETAIL B



DETAIL B

DO NOT SCALE



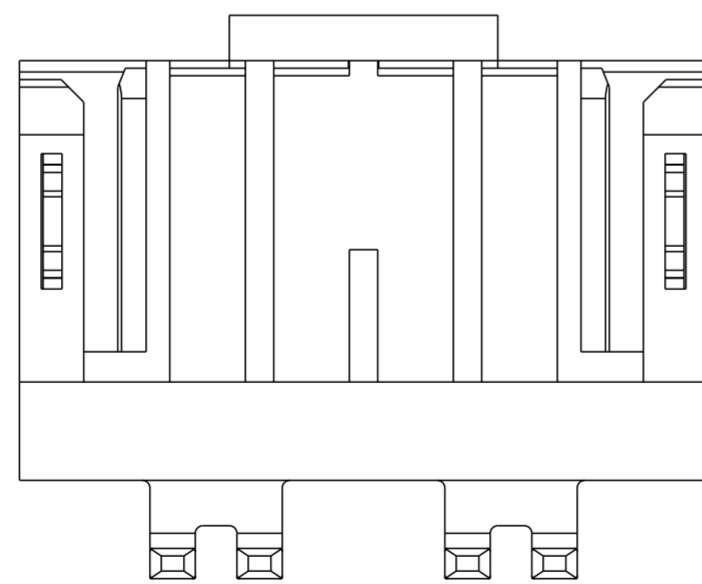
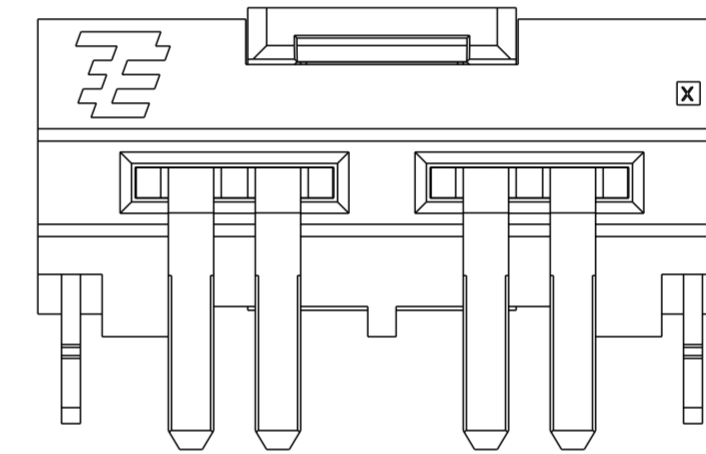
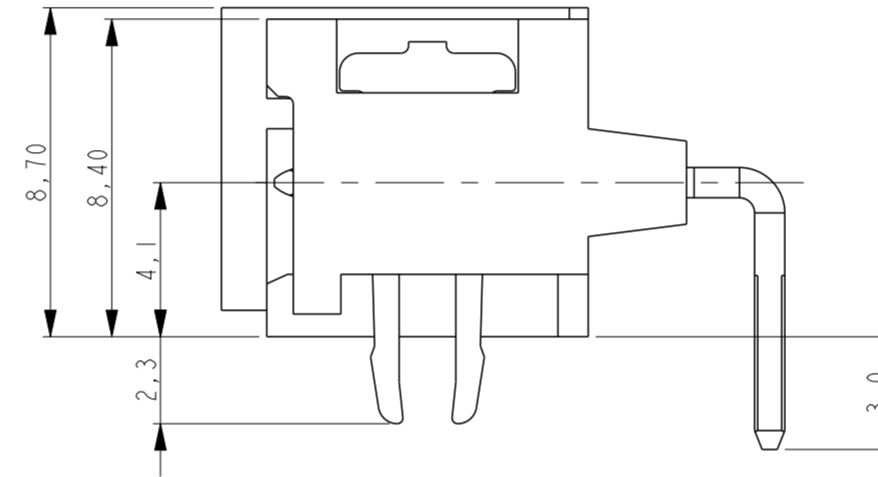
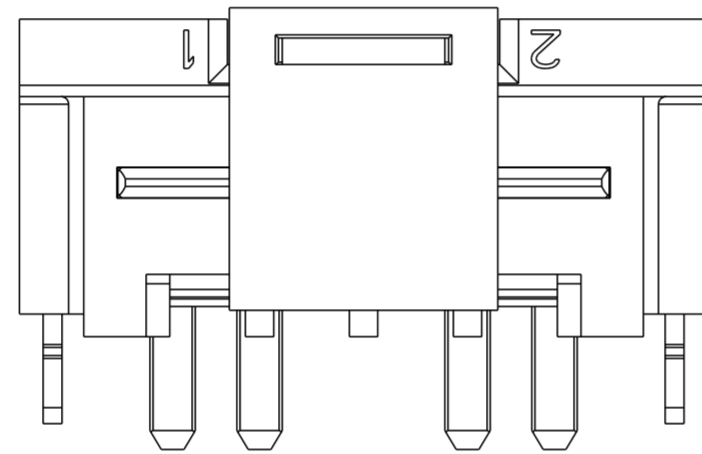
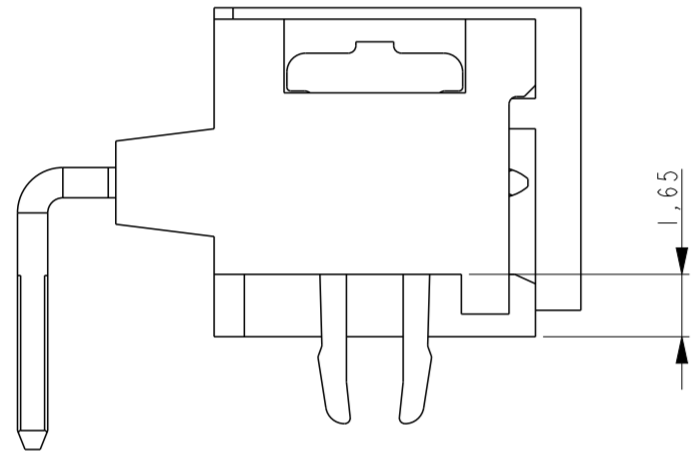
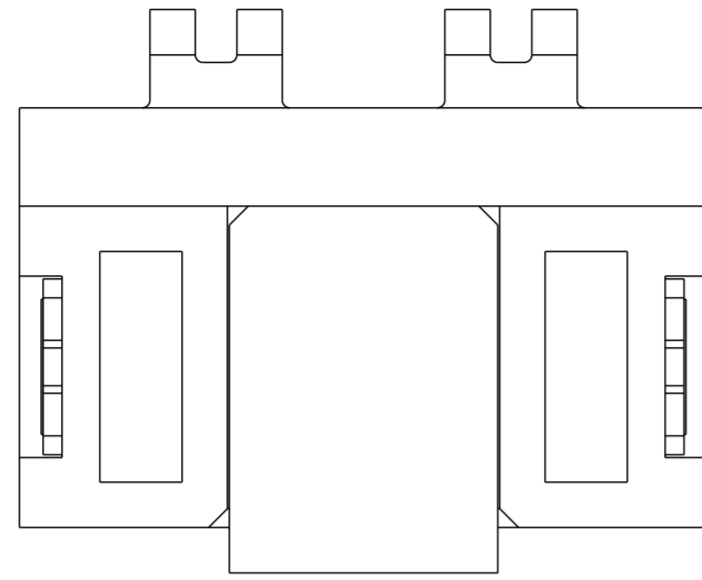
NOTES:

- 1 MATERIAL: TRANSPARENT POLYSTYRENE ALLOY.
- 2 10 SPROCKET HOLES PITCH CUMULATIVE TOLERANCE +/-0,20.
- 3 CARRIER CAMBER IS WITHIN 1 mm IN 250 mm.
- 4 ALL DIMENSIONS MEET EIA-481-C REQUIREMENTS.
- 5 THICKNESS: 0,50±0,05mm.
- 6 REEL PACKAGING ONLY FOR OTHER PART NUMBERS.

THIS DRAWING IS A CONTROLLED DOCUMENT.		DWN R. Annokkee 03-Jul-23	TE Connectivity															
DIMENSIONS: mm		CHK R. Annokkee 03-Jul-23																
TOLERANCES UNLESS OTHERWISE SPECIFIED:		APVD J. Broeksteeg 03-Jul-23	NAME ELCON Mini, 2-position header right-angle															
<table border="1"> <tr><td>0 PLC</td><td>±0,5</td></tr> <tr><td>1 PLC</td><td>±0,1</td></tr> <tr><td>2 PLC</td><td>±0,05</td></tr> <tr><td>3 PLC</td><td>±</td></tr> <tr><td>4 PLC</td><td>±</td></tr> <tr><td>ANGLES</td><td>±2</td></tr> <tr><td>FINISH</td><td></td></tr> </table>		0 PLC	±0,5	1 PLC	±0,1	2 PLC	±0,05	3 PLC	±	4 PLC	±	ANGLES	±2	FINISH		PRODUCT SPEC 108-19346	SIZE A2	CAGE CODE 00779
0 PLC	±0,5																	
1 PLC	±0,1																	
2 PLC	±0,05																	
3 PLC	±																	
4 PLC	±																	
ANGLES	±2																	
FINISH																		
MATERIAL		APPLICATION SPEC 114-19110	DRAWING NO C-1982295	RESTRICTED TO														
		WEIGHT	SCALE 1:1	SHEET 2 OF 3														
		Customer Drawing	REV C8															

THIS DRAWING IS UNPUBLISHED. RELEASED FOR PUBLICATION  
 © COPYRIGHT - TE CONNECTIVITY ALL RIGHTS RESERVED.

LOC	DIST	REVISIONS			
P	LTR	DESCRIPTION	DATE	DWN	APVD
IR	-	SEE SHEET 1	-	-	-



1982295-7 IS SHOWN  
 OTHER DIMENSIONS REFER TO SHEET 1

ITEM	DESCRIPTION	MATERIAL	FINISH
5	PICK&PLACE ADAPTOR	POLYAMIDE, NATURAL	
4	HOLD DOWN	DINI544 CK75	5,0 µm Sn MIN OVER 2,5 µm Ni MIN ALL OVER.
3	CONTACT DETECTION	COPPER ALLOY	0,75 µm Au MIN. IN CONTACT PLACE, Au FLASH IN SOLDER AREA OVER 1,27µm Ni MIN ALL OVER
2	CONTACT POWER TAB	COPPER ALLOY	1,2µm Ni MIN. ALL OVER 0,75µm Au MIN AT MATING ZONE Au FLASH AT SOLDER ZONE
2	CONTACT POWER TAB	COPPER ALLOY	3,0 µm Ag MIN ALL OVER.
1	HOUSING	LCP GF UL94V-0, BLACK	

THIS DRAWING IS A CONTROLLED DOCUMENT.

DWN	03-Jul-23	 TE Connectivity	ELCON Mini, 2-position header right-angle
CHK	R. Annokkee 03-Jul-23		
APVD	R. Annokkee 03-Jul-23		
	J. Broeksteeg 03-Jul-23		
DIMENSIONS: mm		PRODUCT SPEC	108-19346
TOLERANCES UNLESS OTHERWISE SPECIFIED:		APPLICATION SPEC	114-19110
0 PLC ±0,5		WEIGHT	-
1 PLC ±0,1		SIZE	A2
2 PLC ±0,05		CAGE CODE	00779
3 PLC ±		DRAWING NO	C-1982295
4 PLC ±		RESTRICTED TO	-
ANGLES ±2		SCALE	5:1
FINISH		SHEET	3 OF 3
-		REV	C8

Customer Drawing