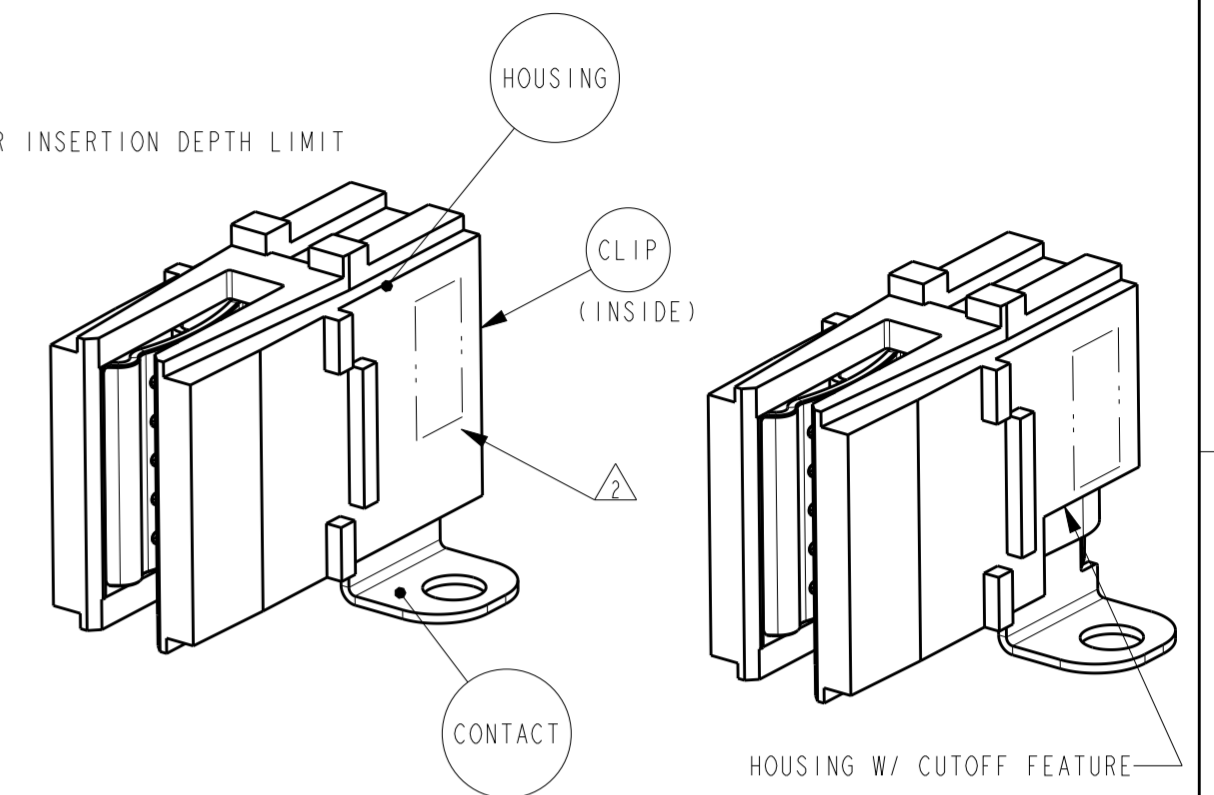
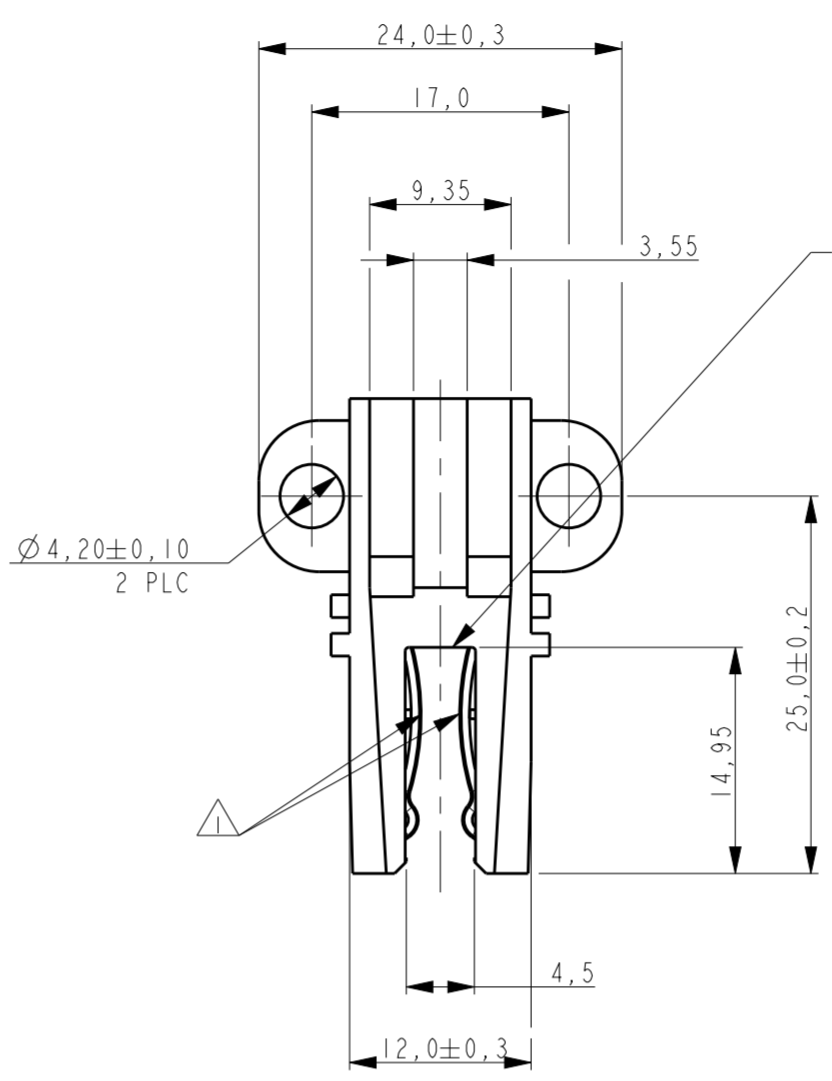
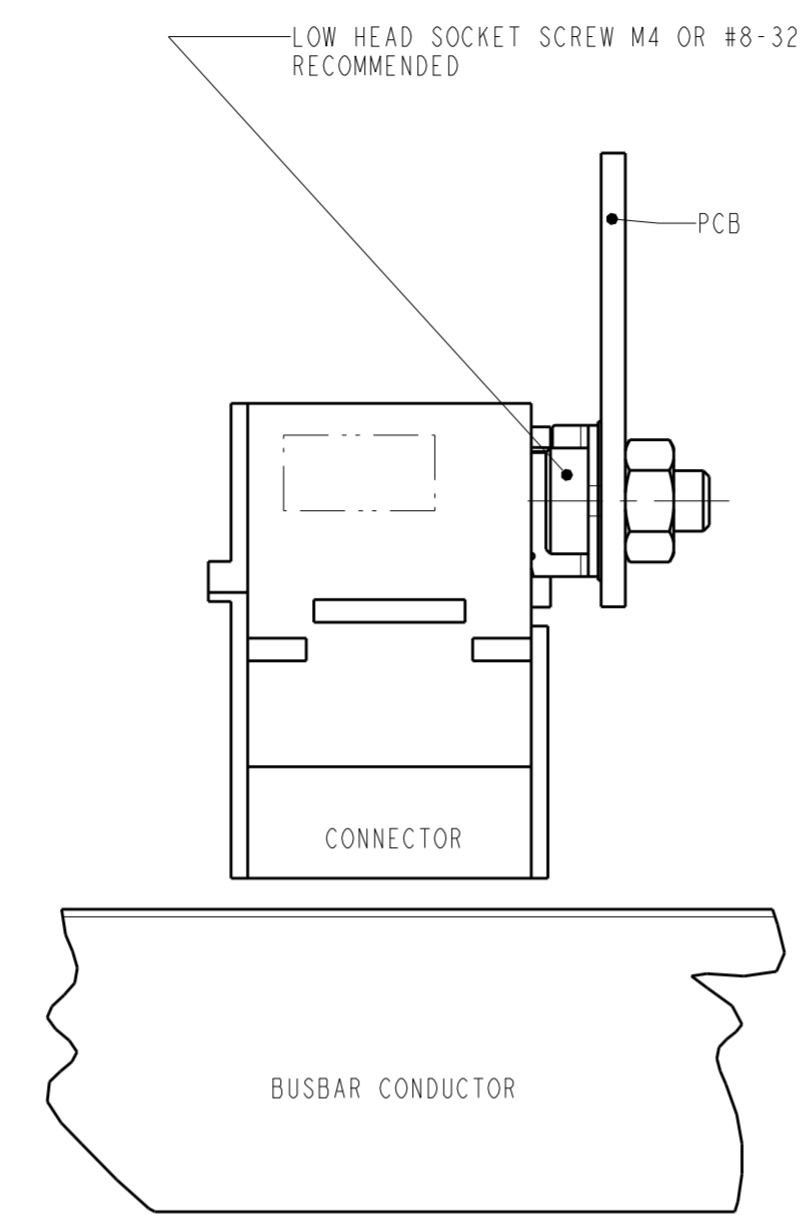
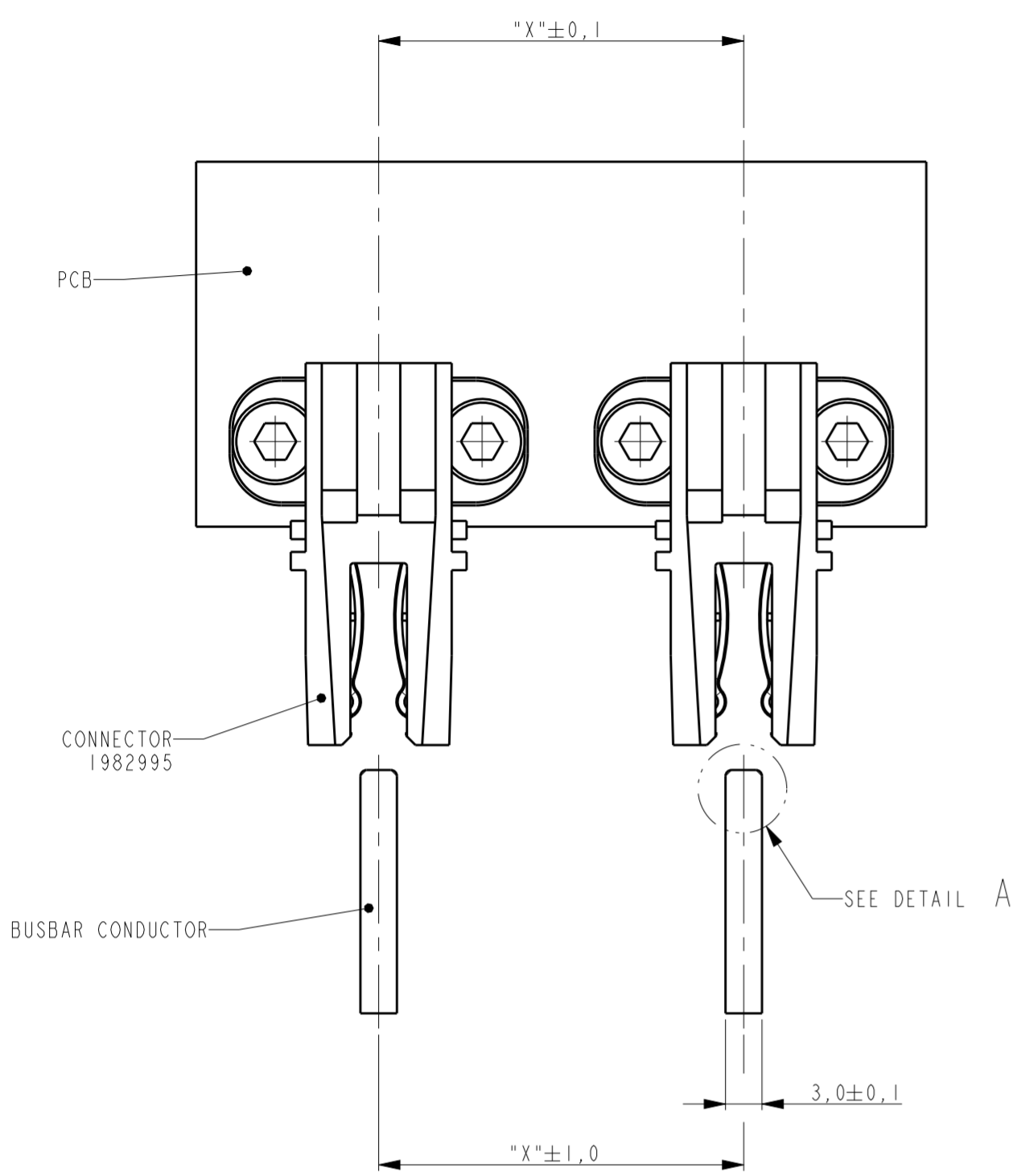


THIS DRAWING IS UNPUBLISHED. RELEASED FOR PUBLICATION  
 © COPYRIGHT - BY - TE CONNECTIVITY ALL RIGHTS RESERVED.

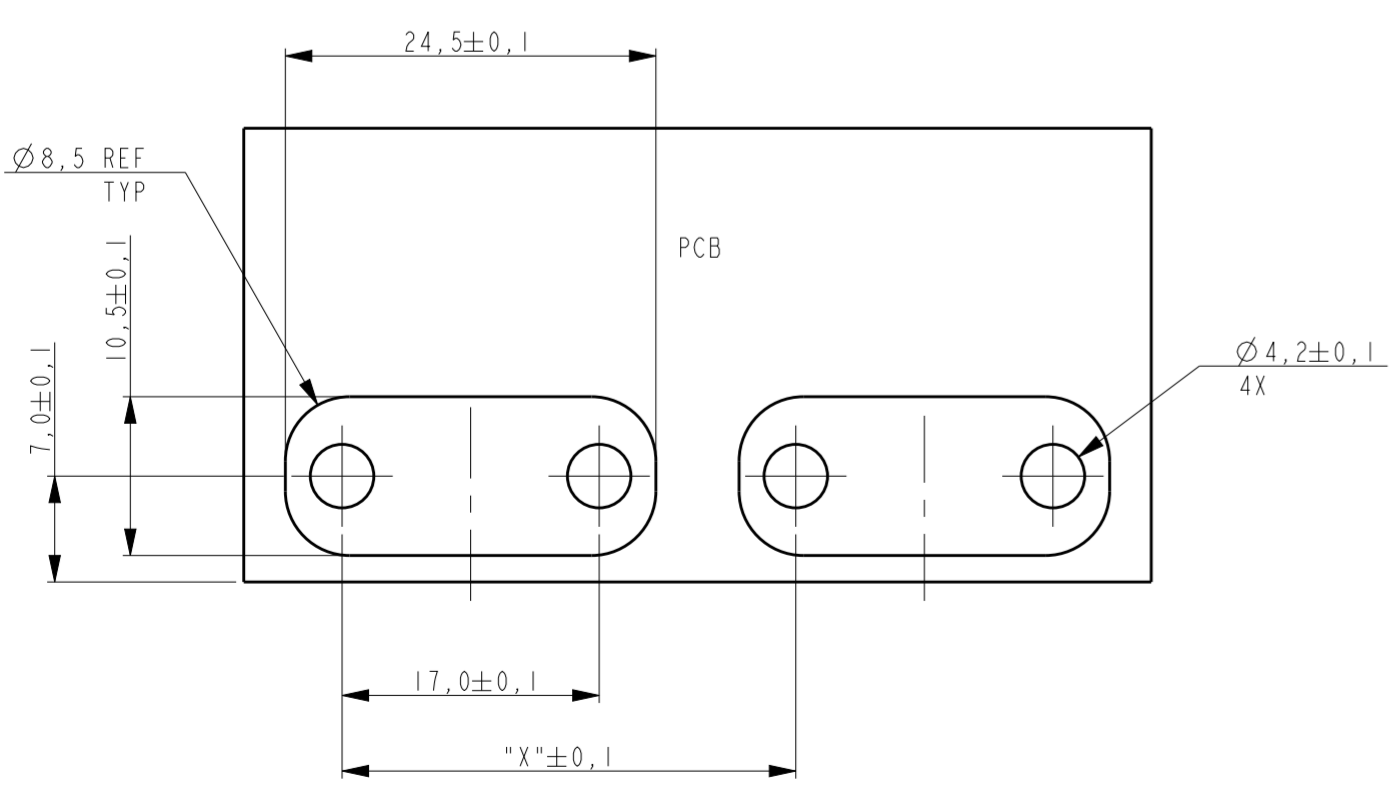
REVISIONS					
P	LTR	DESCRIPTION	DATE	DWN	APVD
A8		REV PER ECR-15-007945	16MAY2015	ML	SZ
A9		ADDED DASH NUMBER -4	07FEB2018	ML	SZ



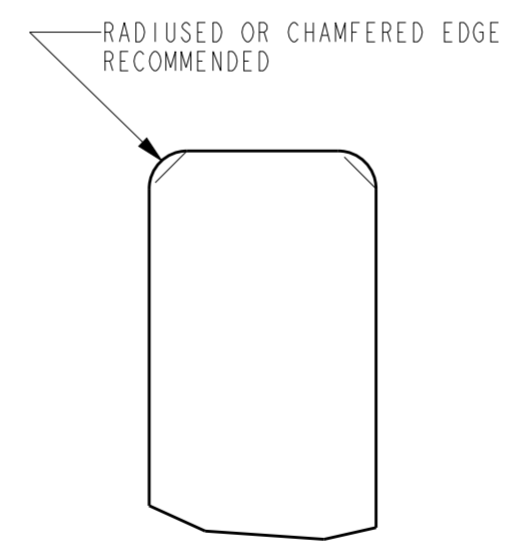
THE REFERENCE CONSTRUCTION  
P/N: 1982995-1/-2

THE REFERENCE CONSTRUCTION  
P/N: 1982995-3/-4

PCB, BUSBAR-CONDUCTORS,  
SCREWS AND NUTS IN THESE VIEWS  
ARE SHOWN FOR REFERENCE ONLY.

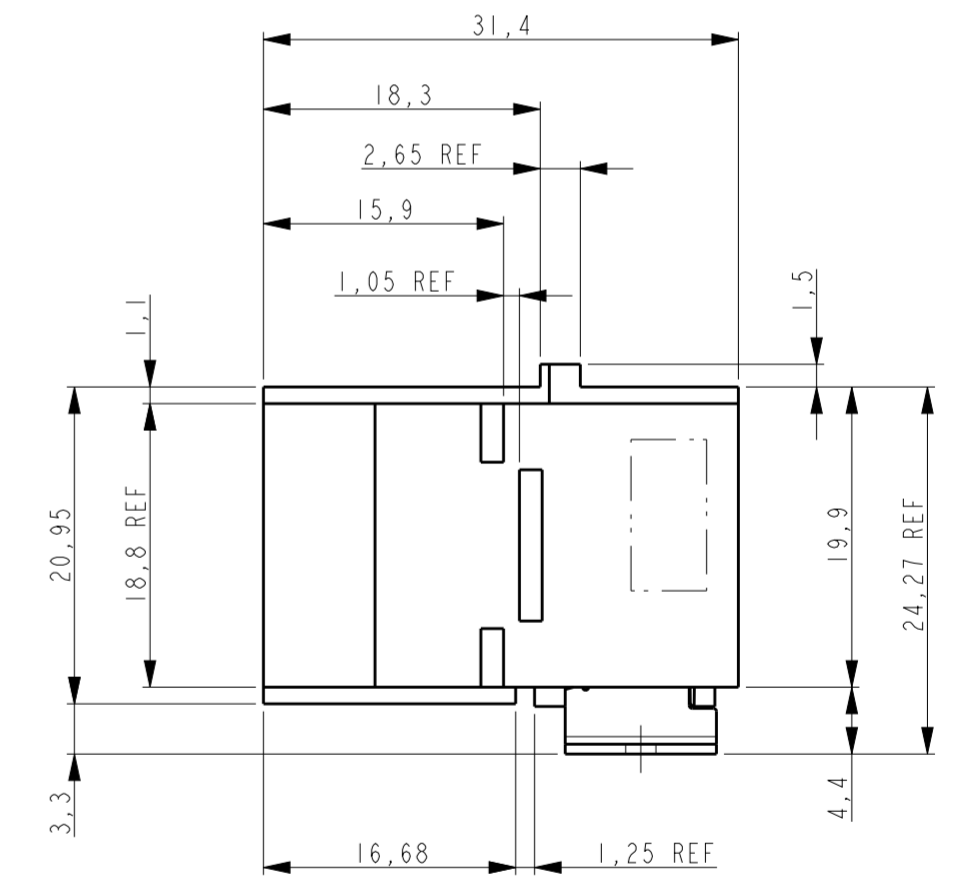
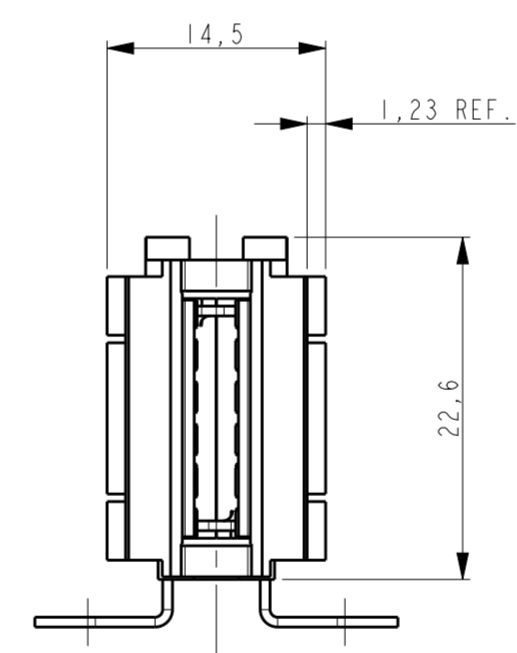


RECOMMENDED PCB LAY-OUT  
THICKNESS: 1,5 mm Min.



DETAIL A  
SCALE 10:1

- NOTES:
- 1 PLATING: 1,2µm MIN. NICKEL UNDERLAYER ALLOVER.  
3,0µm MIN. TIN IN INDICATED AREA.
  - 2 PRINT AREA FOR PART NUMBER AND DATE CODE.
  - 3 PLATING: 1,2µm MIN. NICKEL UNDERLAYER ALLOVER.  
3,0µm MIN. SILVER IN INDICATED AREA.
  - 4 MATERIAL:  
POWER CONTACT: COPPER ALLOY  
CLIP: STAINLESS STEEL  
HOUSING: PBT, BLACK, UL94V-0 FLAMMABILITY RATED.



PLATING	DESCRIPTION	PART NUMBER
1	CROWN CLIP JUNIOR W/ CUTOFF FEATURE, SILVER PLATING	1982995-4
2	CROWN CLIP JUNIOR W/ CUTOFF FEATURE, TIN PLATING	1982995-3
3	CROWN CLIP JUNIOR, SILVER PLATING	1982995-2
4	CROWN CLIP JUNIOR, TIN PLATING	1982995-1

THIS DRAWING IS A CONTROLLED DOCUMENT.		DWN J. VOS 13-Feb-08	TE Connectivity	
DIMENSIONS: mm		CHK R. DAAMEN 13-Feb-08		
TOLERANCES UNLESS OTHERWISE SPECIFIED:		APVD R. V. D. SANDT	NAME PLUGGABLE BUSBAR CONNECTOR SCREW MOUNT VERSION CROWN CLIP JUNIOR	
0 PLC ±		PRODUCT SPEC 108-19360	SIZE A2	
1 PLC ±0,3		APPLICATION SPEC 114-19128	CAGE CODE -	
2 PLC ±0,15		WEIGHT -	DRAWING NO. C-1982995	
3 PLC ±0,005		RESTRICTED TO -		
4 PLC ±		SCALE 2:1		
ANGLES FINISH		SHEET 1 OF 1		
∠4		REV A9		