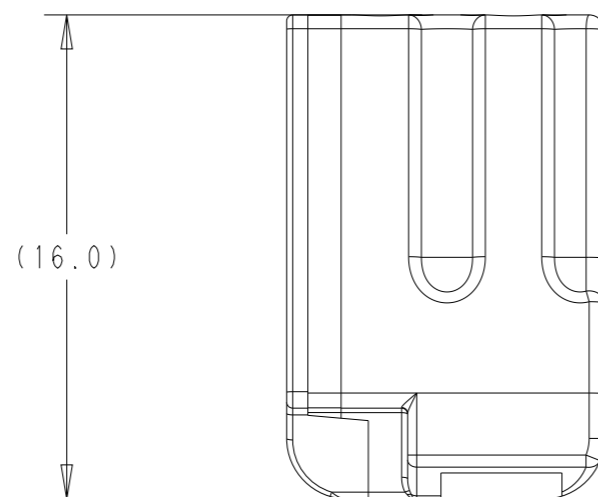
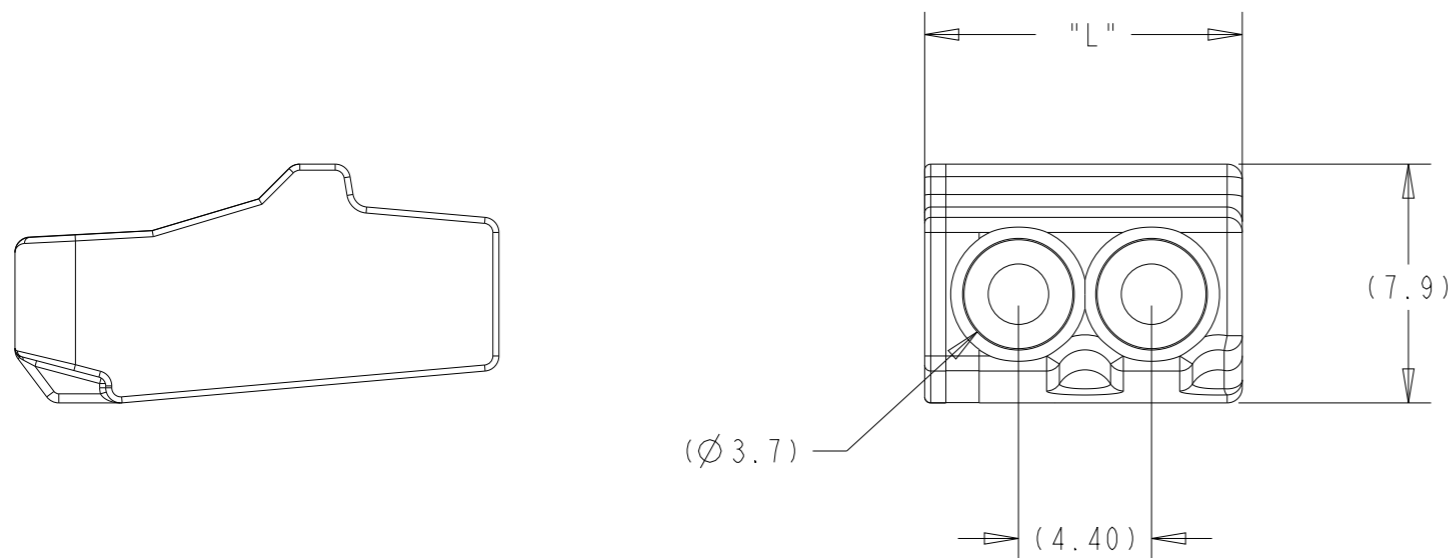
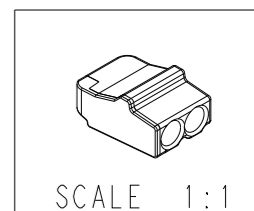


P	LTR	DESCRIPTION	DATE	DWN	APVD
	A	Drawing creation	29MAR2021		



NOTES :

- 1- HOUSING MATERIAL : POLYCARBONATE
- 2- HOUSING COLOR : SEE BELLOW
- 3- CONTACT MATERIAL :
 - TERMINAL : TIN-PLATED COPPER ALLOY
 - SPING : STEEL
- 4- FOR ADDITIONNAL INFORMATION REFER TO THE RELEVANT PRODUCT AND APPLICATION SPECIFICATIONS LISTED BELOW



Part No	Nb of connexions	L (mm)	Color
1SET211001R0000	2	10.5	Transparent / Red
1SET211002R0000	3	14.9	Transparent / Orange
1SET211003R0000	4	19.3	Transparent / Yellow
1SET211004R0000	5	23.7	Transparent / Black
1SET211005R0000	6	28.1	Transparent / Purple

THIS DRAWING IS A CONTROLLED DOCUMENT 25 JUN-21 09:41:38 AM Deligny, Charlotte

DIMENSIONS: mm 		TOLERANCES UNLESS OTHERWISE SPECIFIED: 0 PLC ±- 1 PLC ±0.1 2 PLC ±0.01 3 PLC ±0.005 4 PLC ±0.0001 ANGLES ±-		CHK APVD PRODUCT SPEC APPLICATION SPEC WEIGHT	STE TE Connectivity NAME PUSH-GRIP			RESTRICTED TO
MATERIAL -		FINISH -		SIZE A3 CAGE CODE 00779 DRAWING NO C-1SNP300186-0000			-	
CUSTOMER DRAWING; RESTRICTED CUSTOMER				SCALE 4:1		SHEET 1 OF 2		REV A4

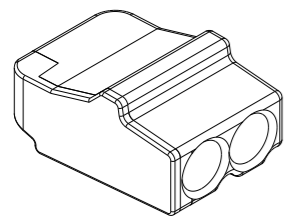
REVISIONS

P	LTR	DESCRIPTION	DATE	DWN	APVD

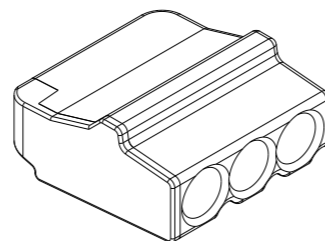
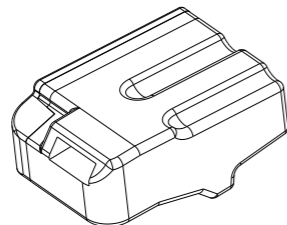
1SET211001R0000

1SET211002R0000

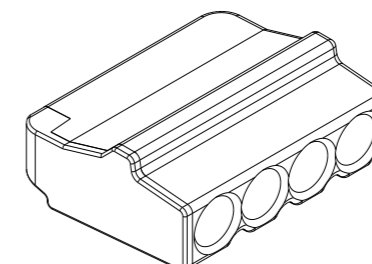
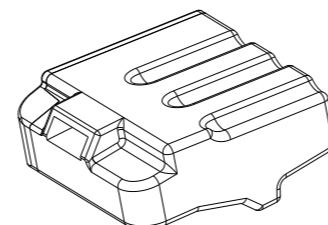
1SET211003R0000



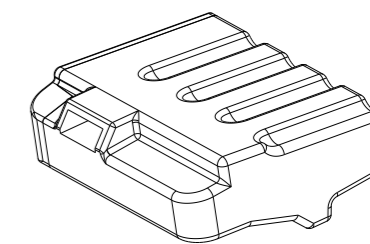
SCALE 2:1



SCALE 2:1

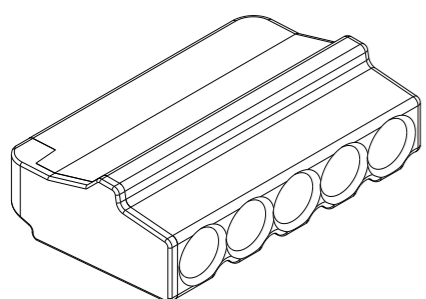


SCALE 2:1

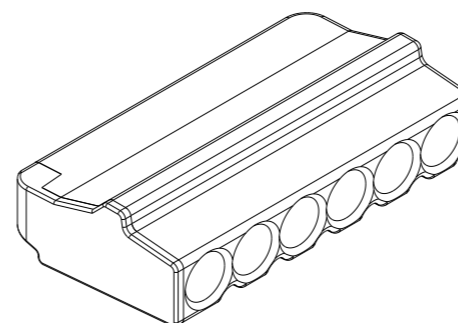
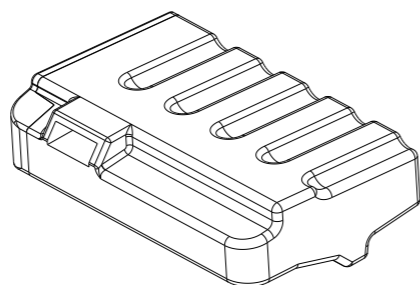


1SET211004R0000

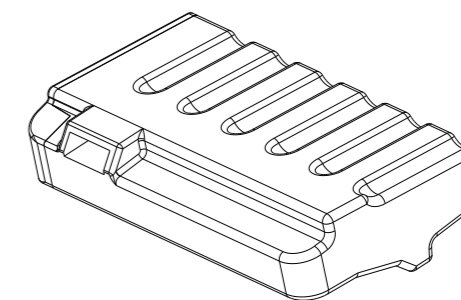
1SET211005R0000



SCALE 2:1



SCALE 2:1



THIS DRAWING IS A CONTROLLED DOCUMENT 25 JUN 21 09:41:38 AM Deligny, Charlotte

DIMENSIONS: mm		TOLERANCES UNLESS OTHERWISE SPECIFIED:		CHK	APVD	PRODUCT SPEC	APPLICATION SPEC	WEIGHT
		0 PLC	±-	NAME PUSH-GRIP	SIZE A3	CAGE CODE 00779	DRAWING NO 1SNP300186-0000	RESTRICTED TO -
		1 PLC	±0.1					
		2 PLC	±0.01					
		3 PLC	±0.005					
MATERIAL		FINISH		CUSTOMER DRAWING; RESTRICTED CUSTOMER				
-		-		SCALE 4:1 SHEET 2 OF 2 REV A4				



NAME PUSH-GRIP			
SIZE A3	CAGE CODE 00779	DRAWING NO 1SNP300186-0000	RESTRICTED TO -
CUSTOMER DRAWING; RESTRICTED CUSTOMER			
SCALE 4:1		SHEET 2 OF 2	
REV A4			