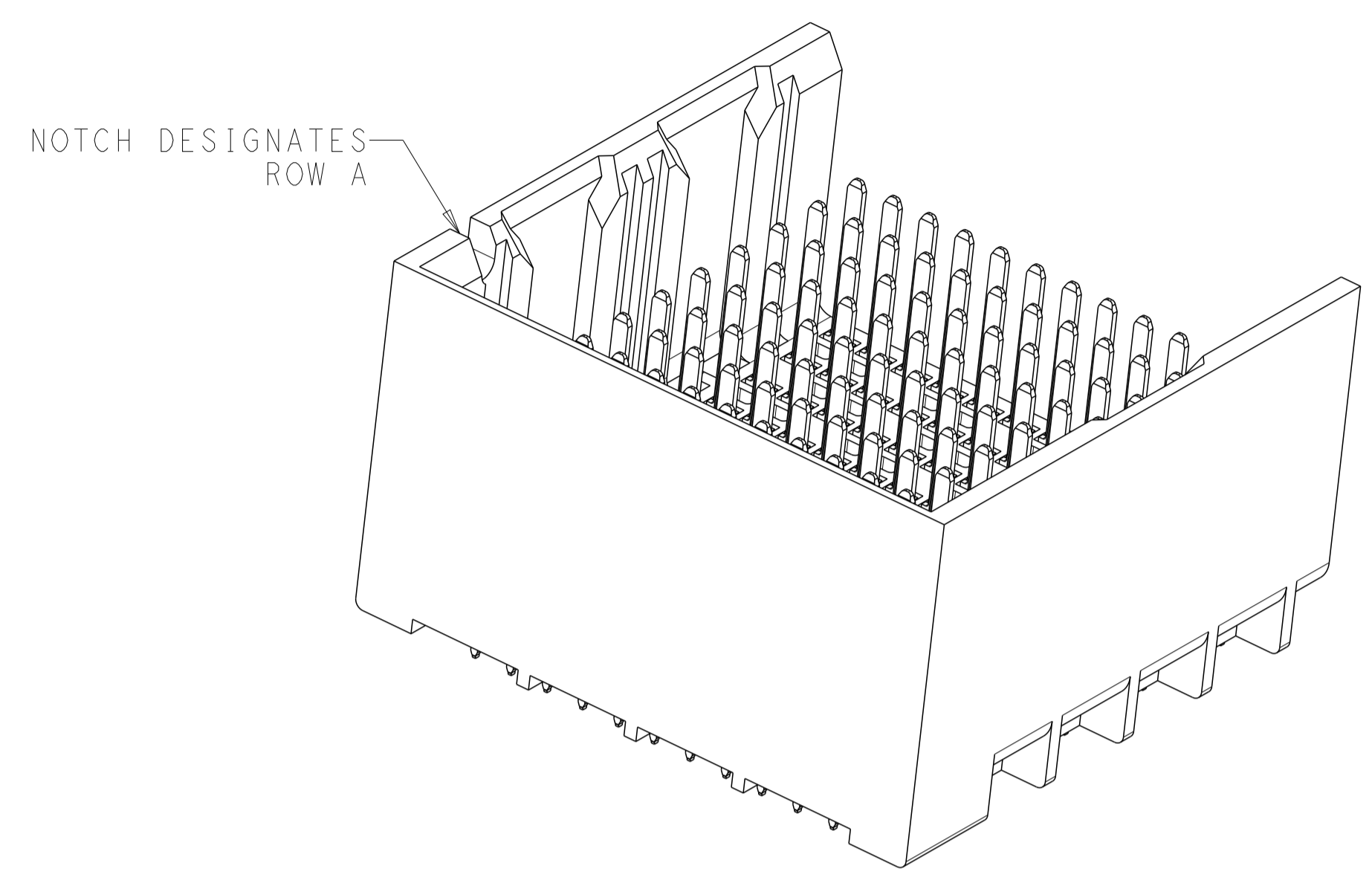
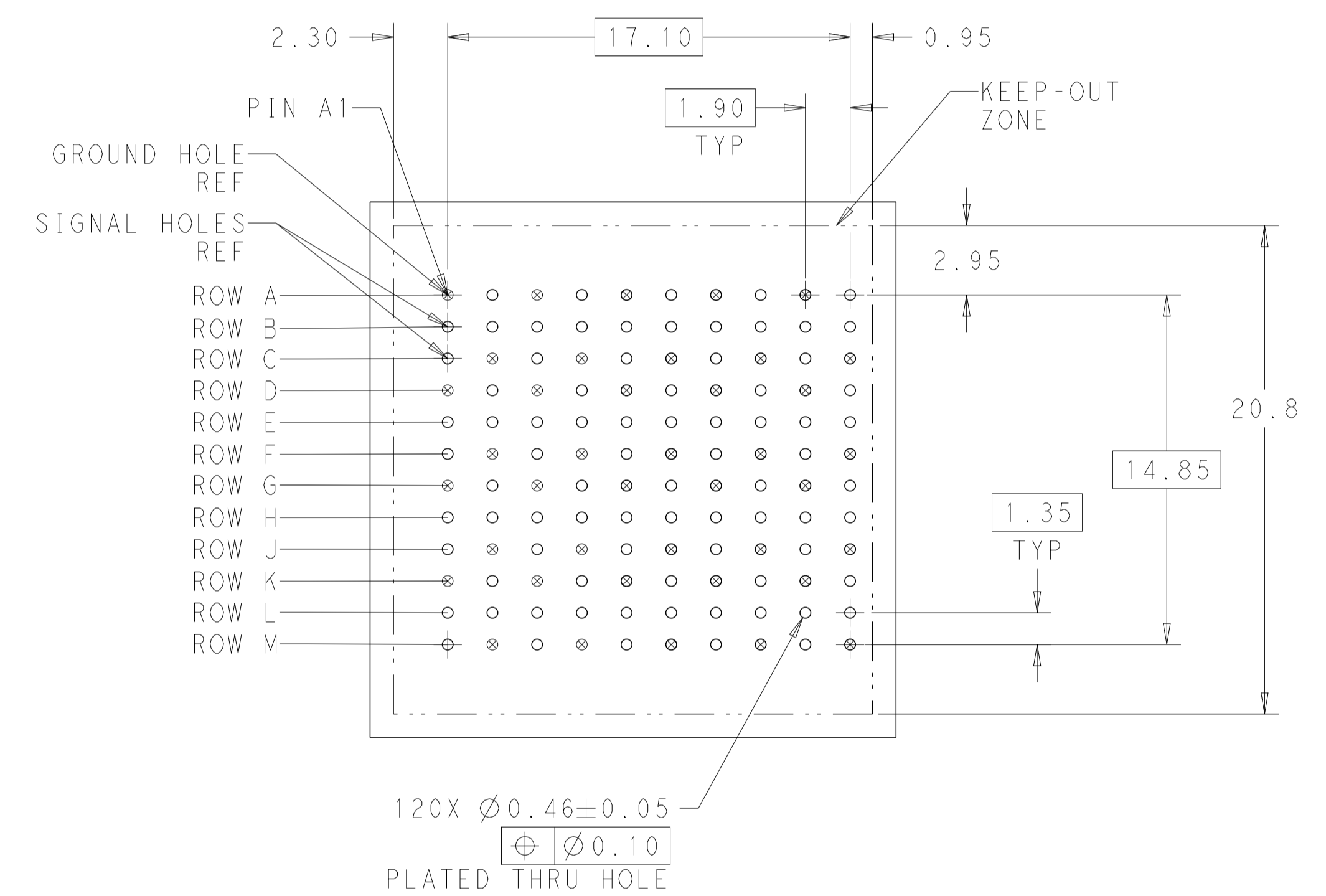
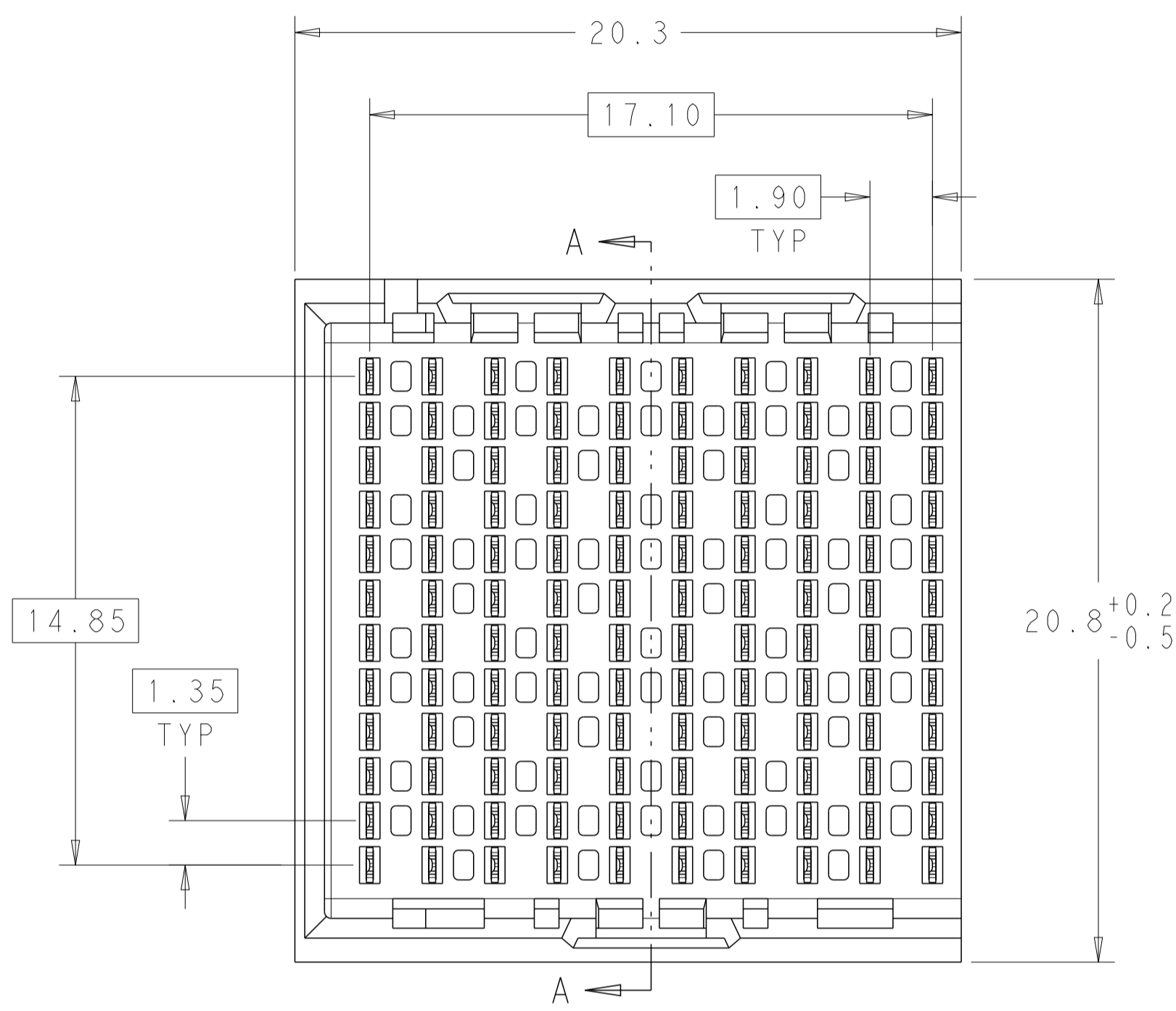


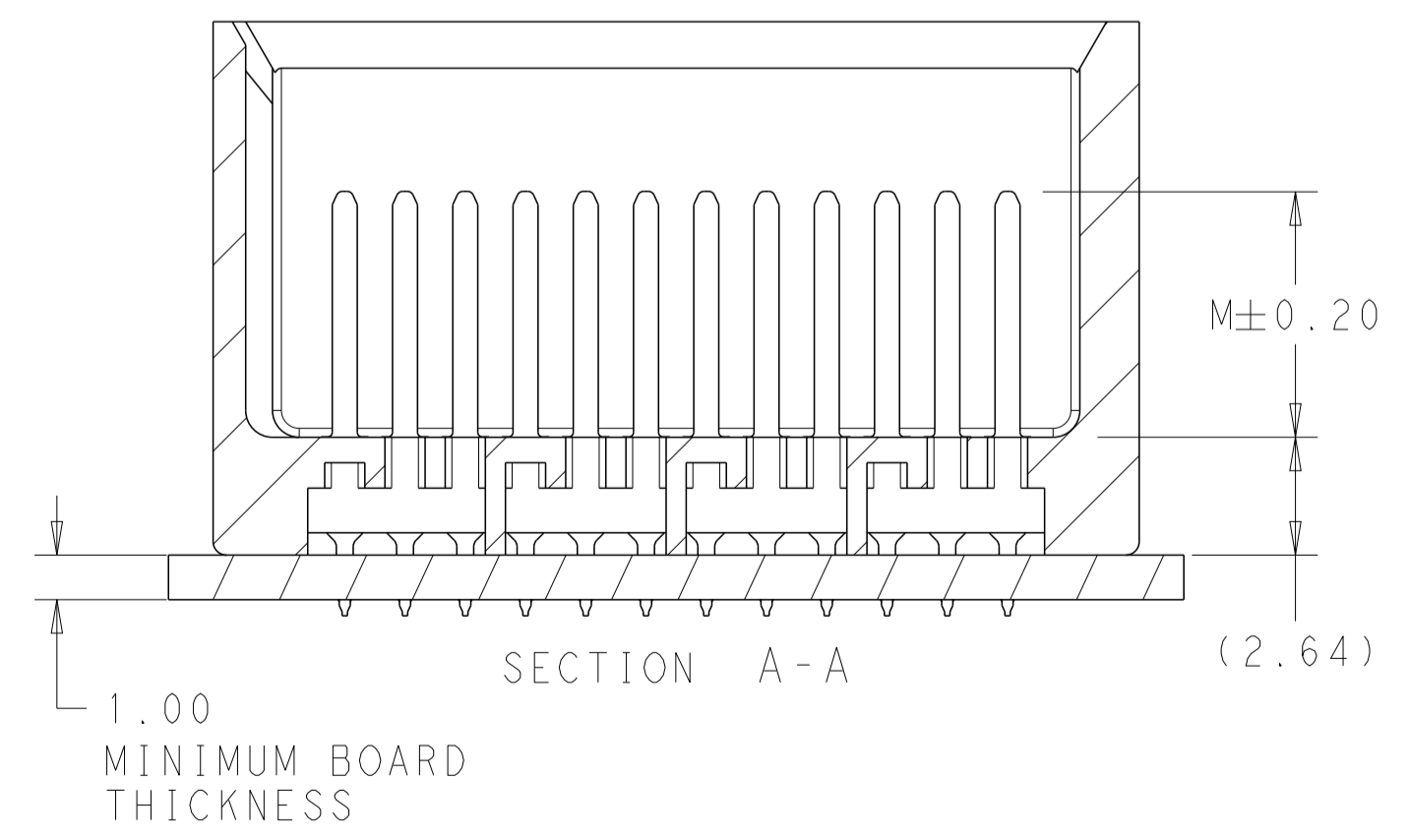
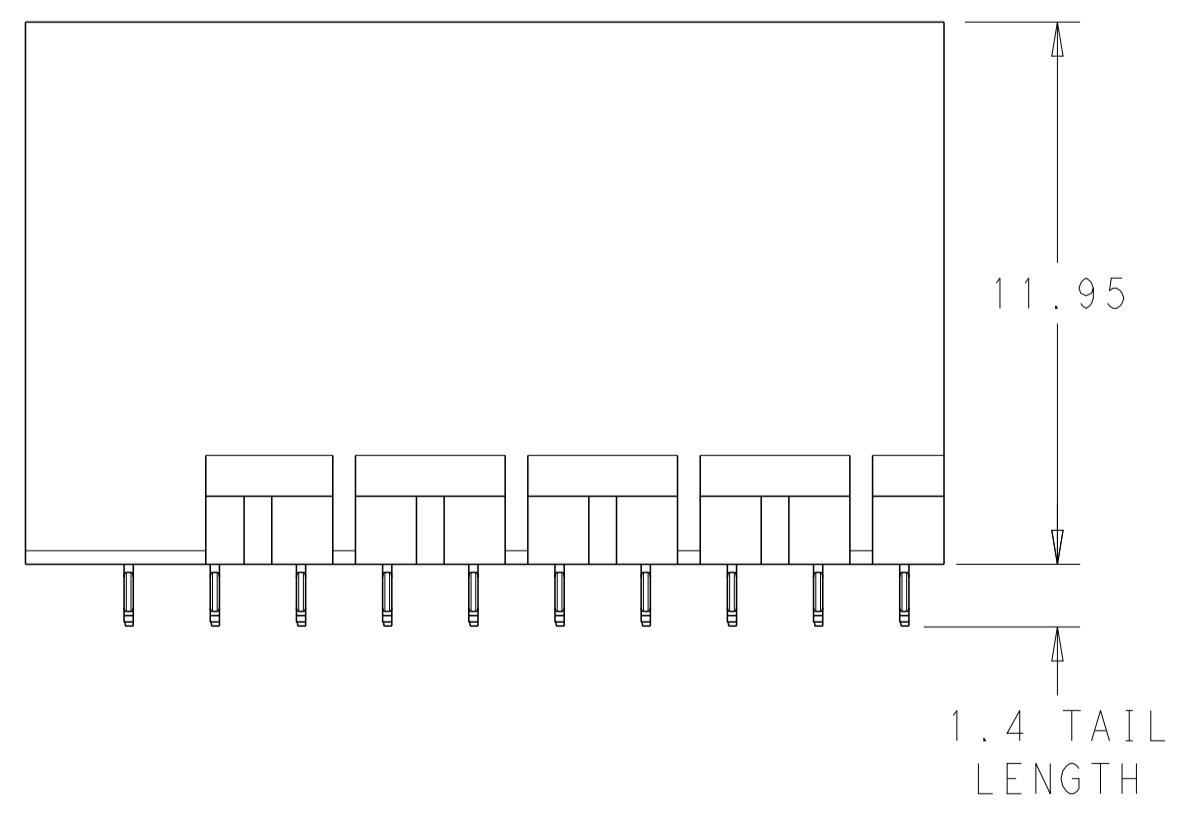
REVISIONS				
P	LTN	DESCRIPTION	DATE	APVD
A2		REVISED PER ECO-15-003239	24MAR2015	AP DD
A3		REVISED PER ECN-24-252036	12MAR2024	AP RS



- 1 MATERIAL:
HOUSING: LCP, GLASS FILLED, UL94V-0.
TERMINALS: HIGH PERFORMANCE COPPER ALLOY.
- 2 FINISH:
30μ" MIN GOLD IN CONTACT AREA. SELECTIVE TIN ON PCB TAILS, NICKEL OVERALL.



UNGUIDED BACKPLANE HOLE PATTERN (CONNECTOR SIDE)



THIS DRAWING IS A CONTROLLED DOCUMENT.		DWN J. K. SHOBER 03JAN2011 CHK J. EARY 03JAN2011 APVD J. EARY 03JAN2011	TE Connectivity
DIMENSIONS: mm TOLERANCES UNLESS OTHERWISE SPECIFIED: 0 PLC ± 1 PLC ±0.25 2 PLC ±0.13 3 PLC ± 4 PLC ± ANGLES ± FINISH SEE TABLE		NAME IMPACT, 4 PAIR, 10 COLUMN, HEADER PRODUCT SPEC UNGUIDED, LEFT END WALL APPLICATION SPEC SIGNAL MODULE, 0.46 PTH	
MATERIAL SEE TABLE		WEIGHT - CUSTOMER DRAWING	SIZE CAGE CODE DRAWING NO RESTRICTED TO A100779C=2007817 SCALE 6:1 SHEET 1 OF 2 REV A3

THIS DRAWING IS UNPUBLISHED.	RELEASED FOR PUBLICATION	20
© COPYRIGHT 20	BY -	ALL RIGHTS RESERVED.

REVISIONS					
P	LTN	DESCRIPTION	DATE	DMN	APVD
-		SEE SHEET 1	-	-	-

	5.5	2007817-3	OBSOLETE
	4.9	2007817-2	
	4.5	2007817-1	
FINISH	DIM M	PART NUMBER	

REFER TO WWW.TE.COM
FOR PRODUCT AVAILABILITY

THIS DRAWING IS A CONTROLLED DOCUMENT.		DMN J. K. SHOBER 03JAN2011		TE Connectivity
DIMENSIONS: mm		CHK J. EARY 03JAN2011		NAME
TOLERANCES UNLESS OTHERWISE SPECIFIED:		APVD J. EARY 03JAN2011	PRODUCT SPEC	
0 PLC ±			APPLICATION SPEC	
1 PLC ±0.25			WEIGHT	-
2 PLC ±0.13			SCALE	5:1
3 PLC ±			SHEET	2 OF 2
4 PLC ±			REV	A3
ANGLES ±			CUSTOMER DRAWING	
FINISH			SIZE	A100779C=2007817
SEE TABLE			RESTRICTED TO	