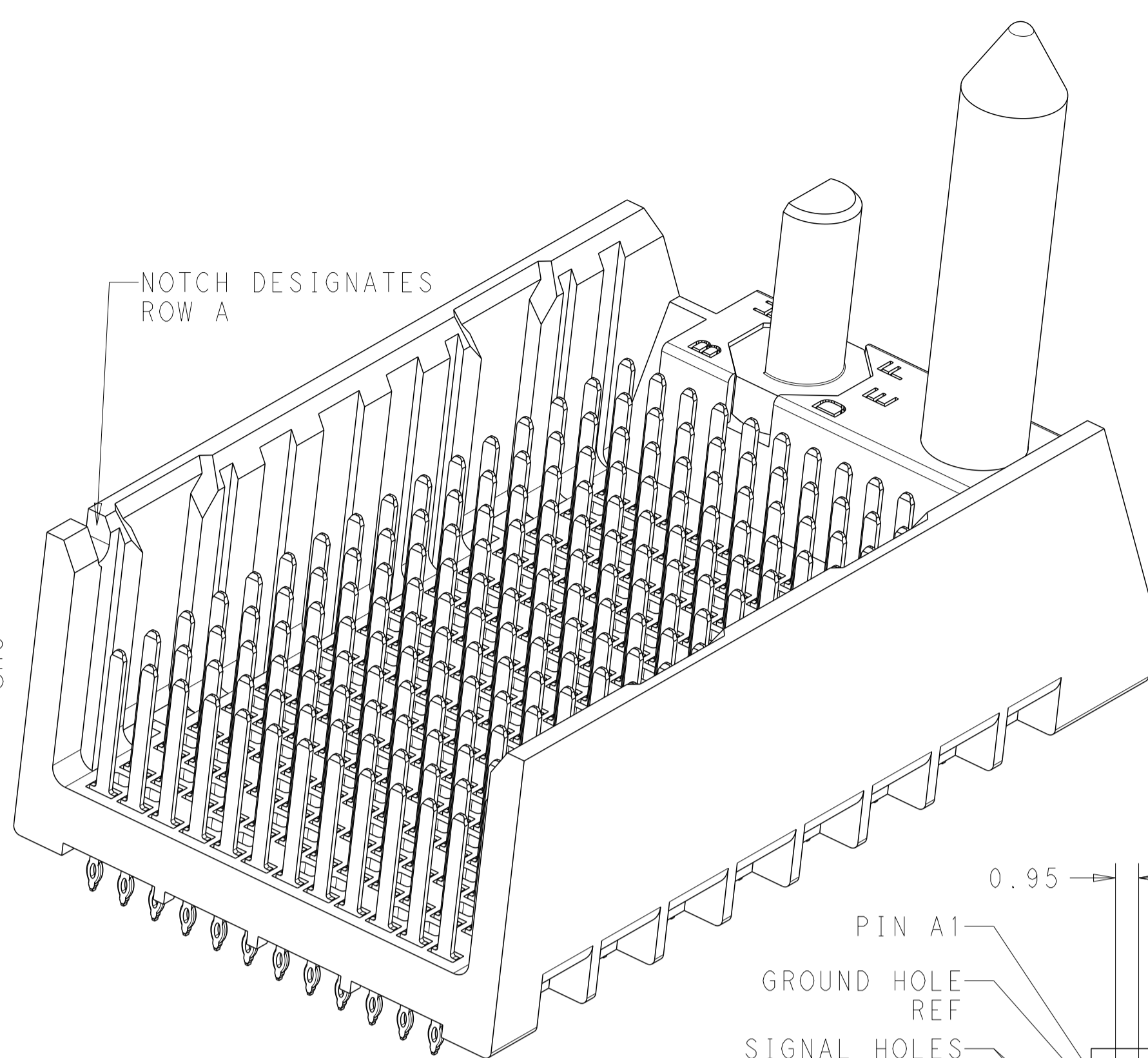
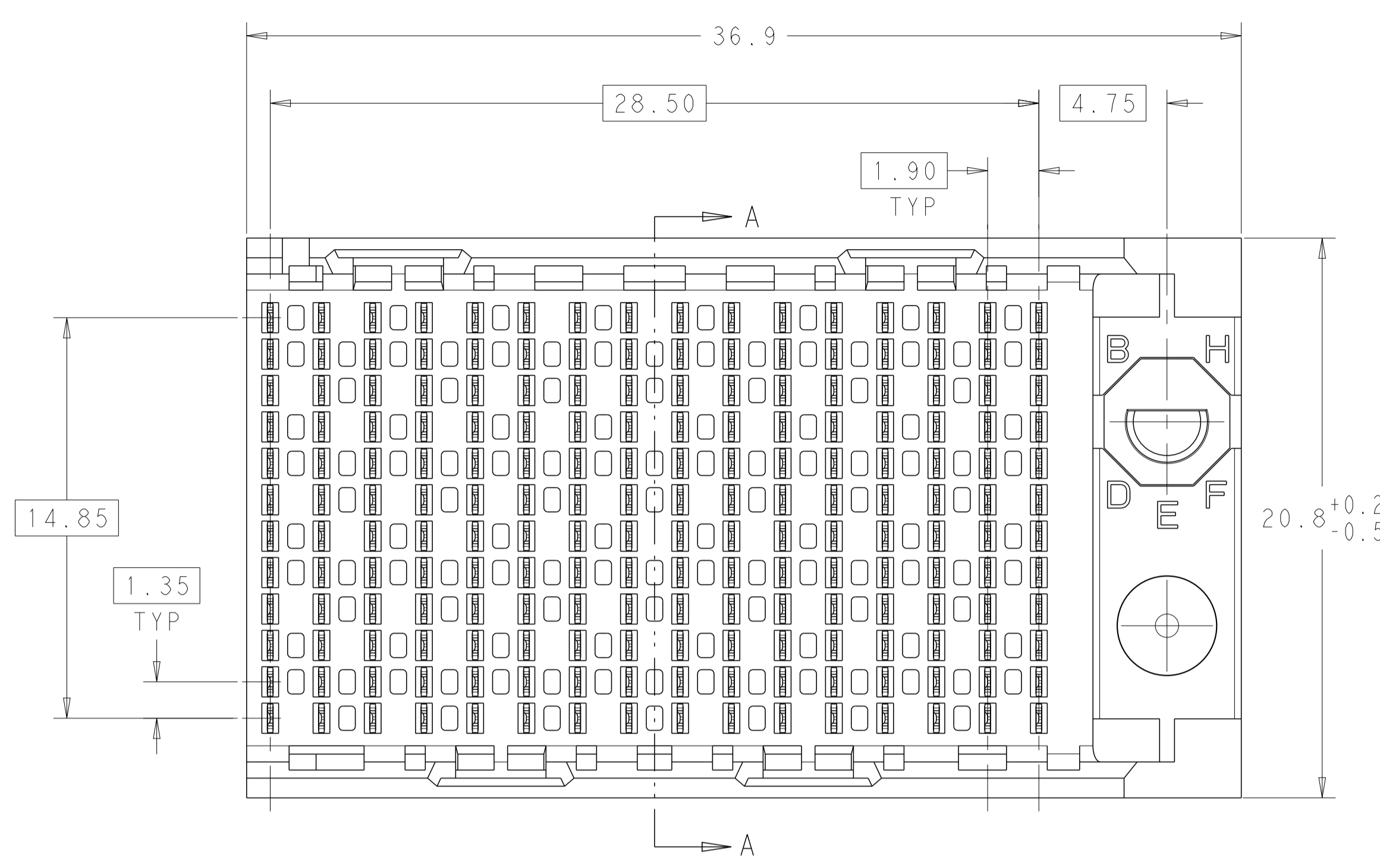
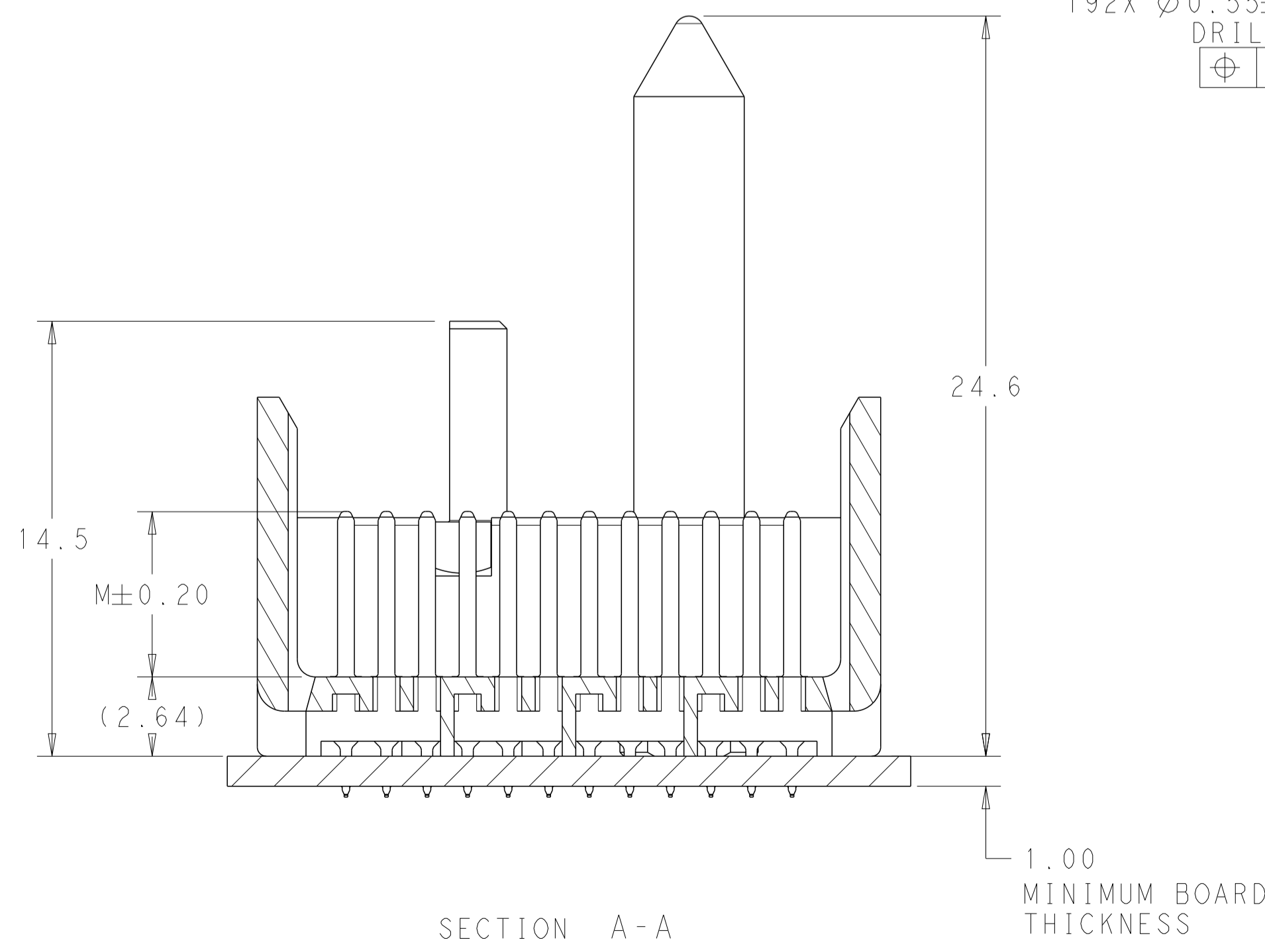
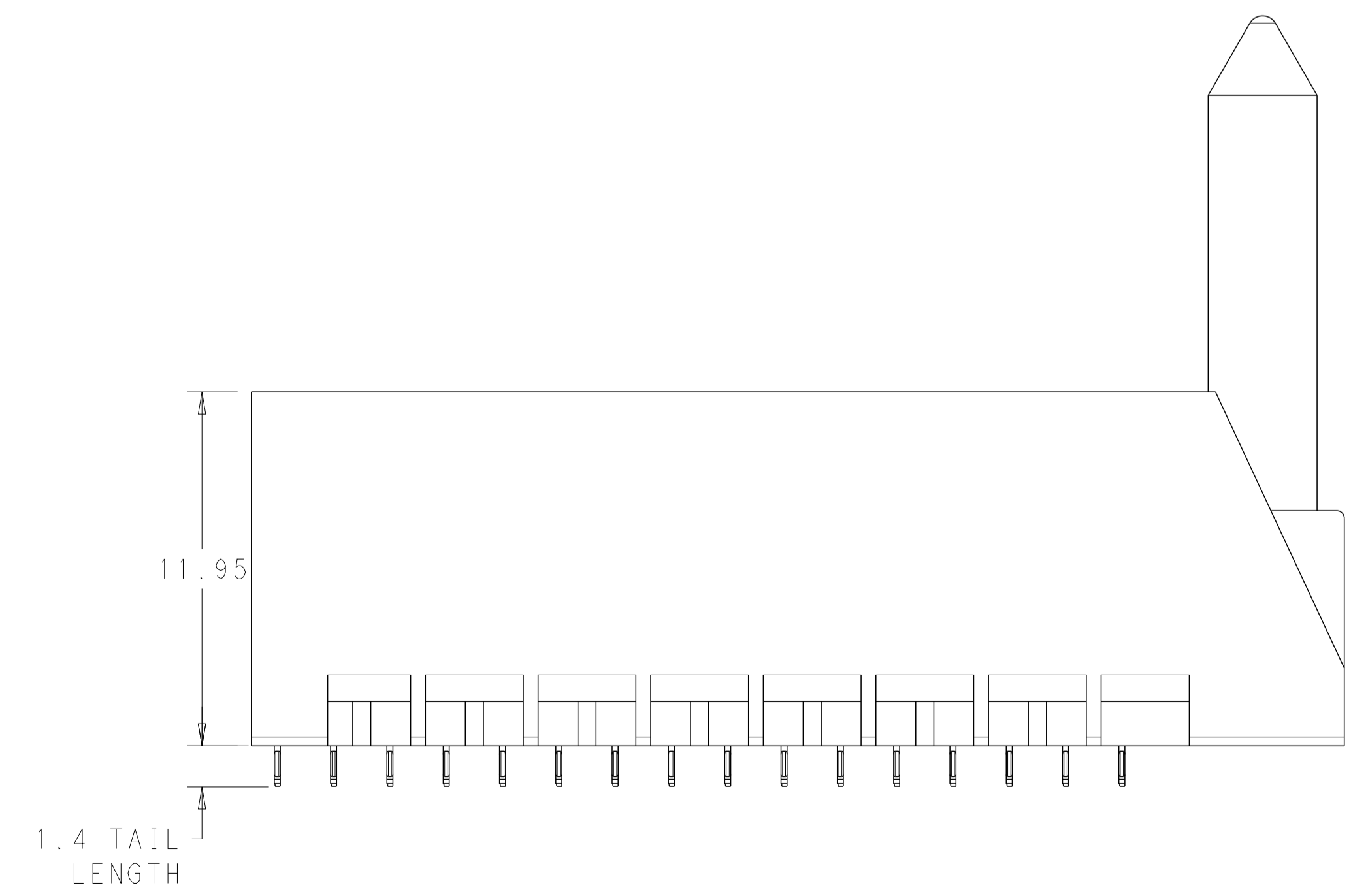
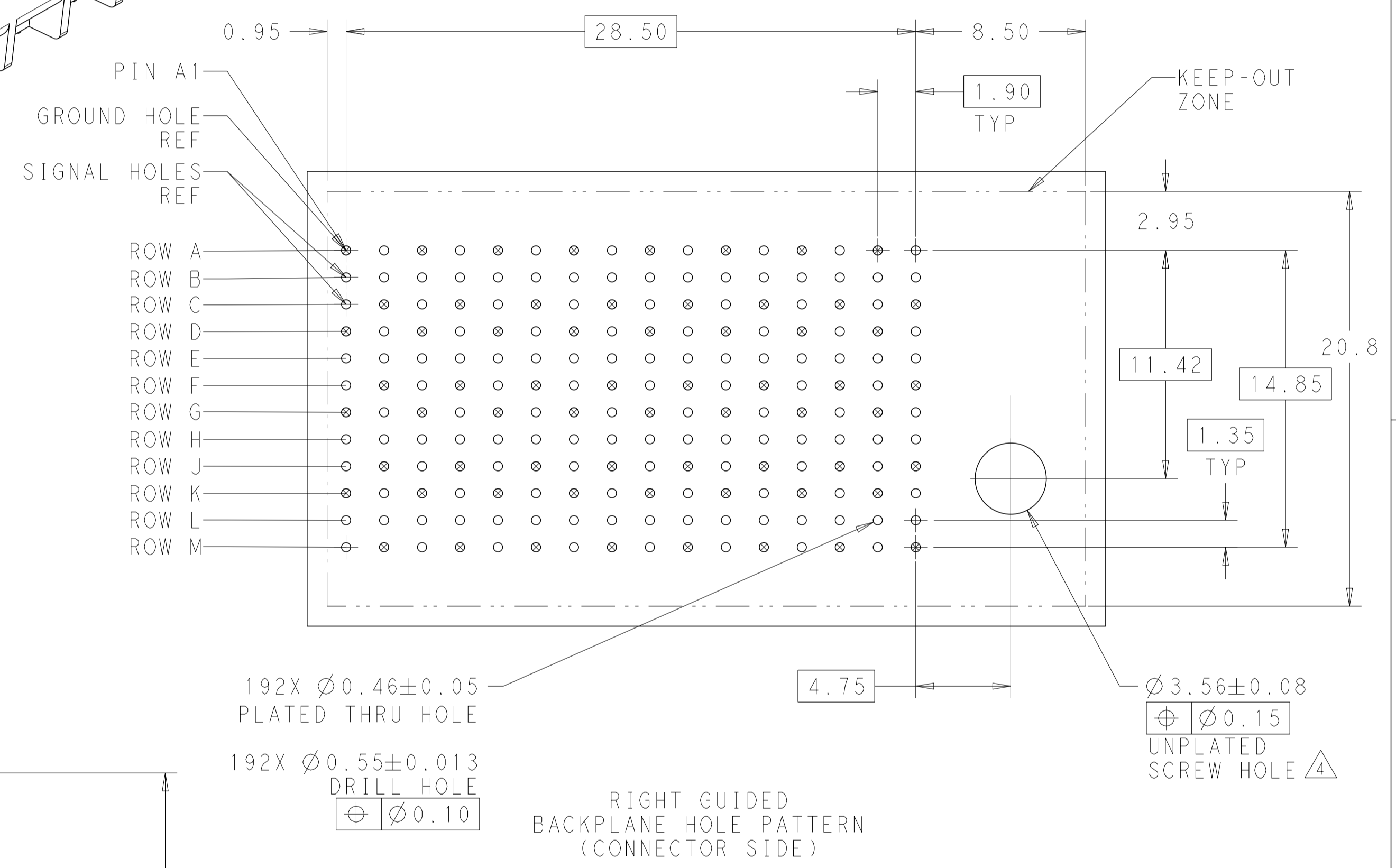


LOC		DIST		REVISIONS			
P	LTN	DESCRIPTION	DATE	DMN	APVD		
A		REVISED PER ECO-15-001494	05FEB2015	AP	DD		
A1		REVISED PER ECN-24-252171	20FEB2024	AP	RS		



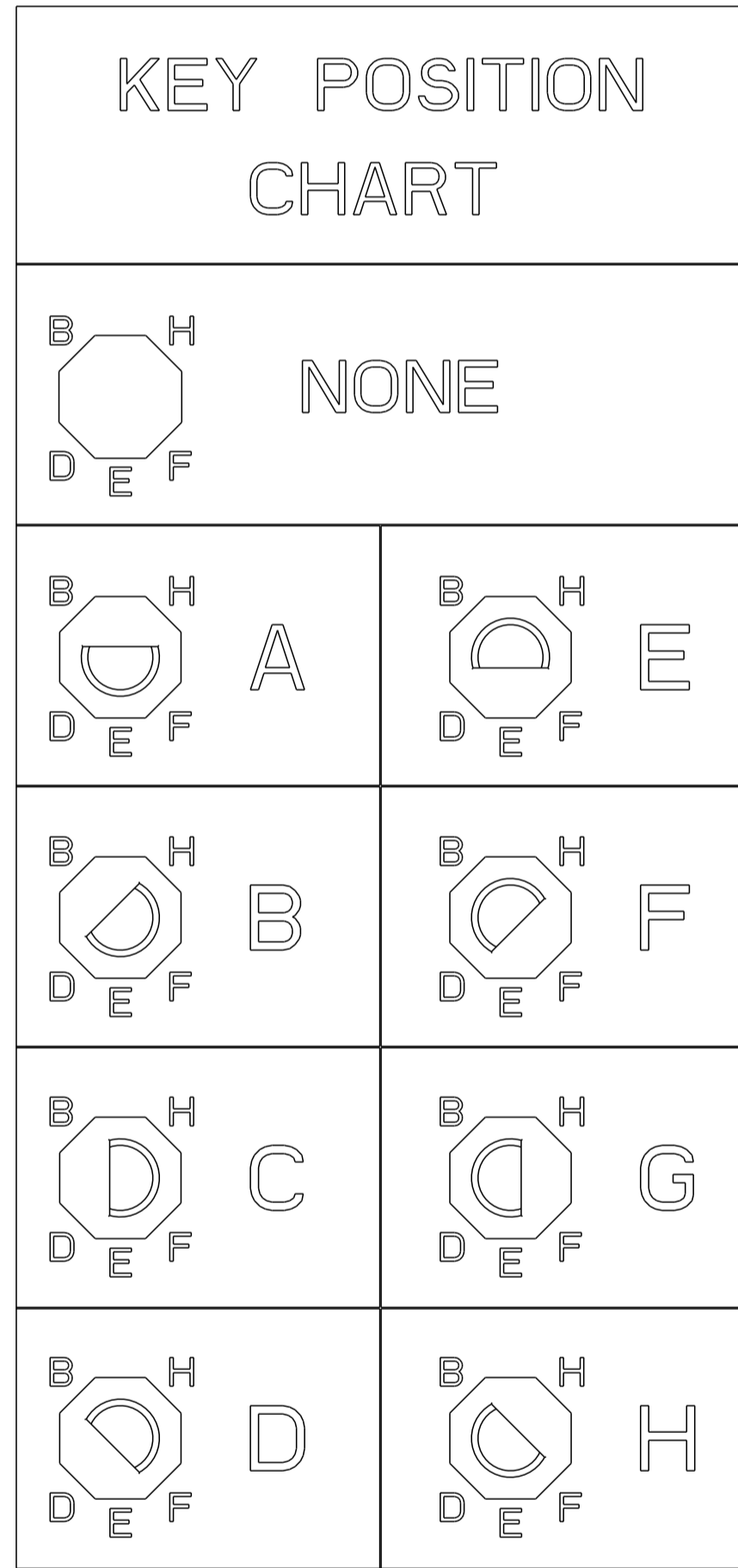
- ⚠ MATERIAL:
HOUSING: LCP, GLASS FILLED, UL94V-0.
TERMINALS: HIGH PERFORMANCE COPPER ALLOY.
- ⚠ FINISH:
30μ" MIN GOLD IN CONTACT AREA. SELECTIVE TIN ON PCB TAILS, NICKEL OVERALL.
- 3. SCREWS PACKAGED IN END OF PACKAGING TUBE.
- ⚠ FOR GROUNDED GUIDE PIN USE $\varnothing 3.56 \pm 0.08$ PTH, $\varnothing 3.66$ DRILL, AND $\varnothing 6.5$ PAD.
- 5. KEYING PIN SHOWN IN POSITION A, SEE KEYING CHART ON SHEET 2 FOR OTHER POSITIONS.



THIS DRAWING IS A CONTROLLED DOCUMENT.		DMN: KIRAN HOLAL 11JAN2013	TE Connectivity
DIMENSIONS: mm		CHK: D. DIXON 11JAN2013	
TOLERANCES UNLESS OTHERWISE SPECIFIED:		APVD: D. DIXON 11JAN2013	NAME: IMPACT, 4 PAIR, 16 COLUMN, HEADER RIGHT GUIDED, OPEN END WALL SIGNAL MODULE, 0.46 PTH
0 PLC ±0.25		PRODUCT SPEC	
1 PLC ±0.13		APPLICATION SPEC	SIZE: CAGE CODE DRAWING NO: A100779C=2007828 RESTRICTED TO:
2 PLC ±0.10		WEIGHT	
3 PLC ±0.08		CUSTOMER DRAWING	SCALE: 6:1 SHEET 1 OF 2 REV: A1
4 PLC ±0.05			
ANGLES ±0.5			
FINISH: SEE TABLE			

THIS DRAWING IS UNPUBLISHED. RELEASED FOR PUBLICATION 20
 © COPYRIGHT 20 BY - ALL RIGHTS RESERVED.

LOC		DIST		REVISIONS			
AD	00	P	LTN	DESCRIPTION	DATE	DMN	APVD
		-		SEE SHEET 1			



	H	5.5	8-2007828-3	OBSOLETE
	H	4.9	8-2007828-2	
	H	4.5	8-2007828-1	
	G	5.5	7-2007828-3	
	G	4.9	7-2007828-2	
	G	4.5	7-2007828-1	
	F	5.5	6-2007828-3	
	F	4.9	6-2007828-2	
	F	4.5	6-2007828-1	
	E	5.5	5-2007828-3	
	E	4.9	5-2007828-2	
	E	4.5	5-2007828-1	
	D	5.5	4-2007828-3	
	D	4.9	4-2007828-2	
	D	4.5	4-2007828-1	
	C	5.5	3-2007828-3	
	C	4.9	3-2007828-2	
	C	4.5	3-2007828-1	
	B	5.5	2-2007828-3	
	B	4.9	2-2007828-2	
	B	4.5	2-2007828-1	
	A	5.5	1-2007828-3	
	A	4.9	1-2007828-2	
	A	4.5	1-2007828-1	
	-	5.5	2007828-3	
	-	4.9	2007828-2	
	-	4.5	2007828-1	
FINISH	KEY POSITION	DIM M	PART NUMBER	

REFER TO WWW.TE.COM
FOR PRODUCT AVAILABILITY

THIS DRAWING IS A CONTROLLED DOCUMENT.		DMN KIRAN HOLAL 11JAN2013	TE Connectivity
DIMENSIONS: mm		CHK D. DIXON 11JAN2013	
TOLERANCES UNLESS OTHERWISE SPECIFIED:		APVD D. DIXON 11JAN2013	NAME IMPACT, 4 PAIR, 16 COLUMN, HEADER RIGHT GUIDED, OPEN END WALL SIGNAL MODULE, 0.46 PTH
0 PLC ± 1 PLC ±0.25 2 PLC ±0.13 3 PLC ± 4 PLC ± ANGLES ± FINISH ±		PRODUCT SPEC	
MATERIAL		APPLICATION SPEC	RESTRICTED TO
SEE TABLE		WEIGHT	A100779C=2007828
CUSTOMER DRAWING		SCALE 5:1	SHEET 2 OF 2 REV A1