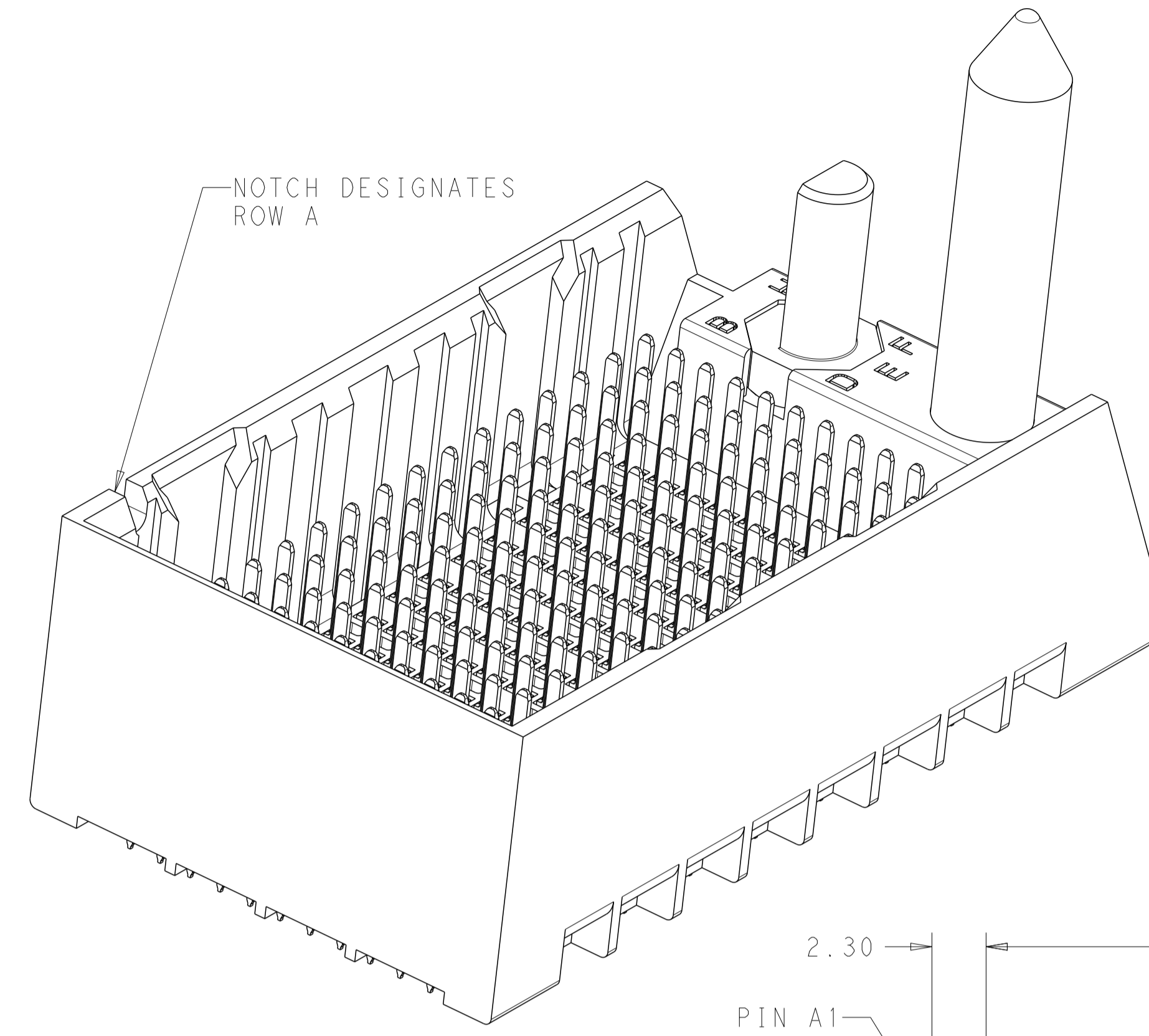
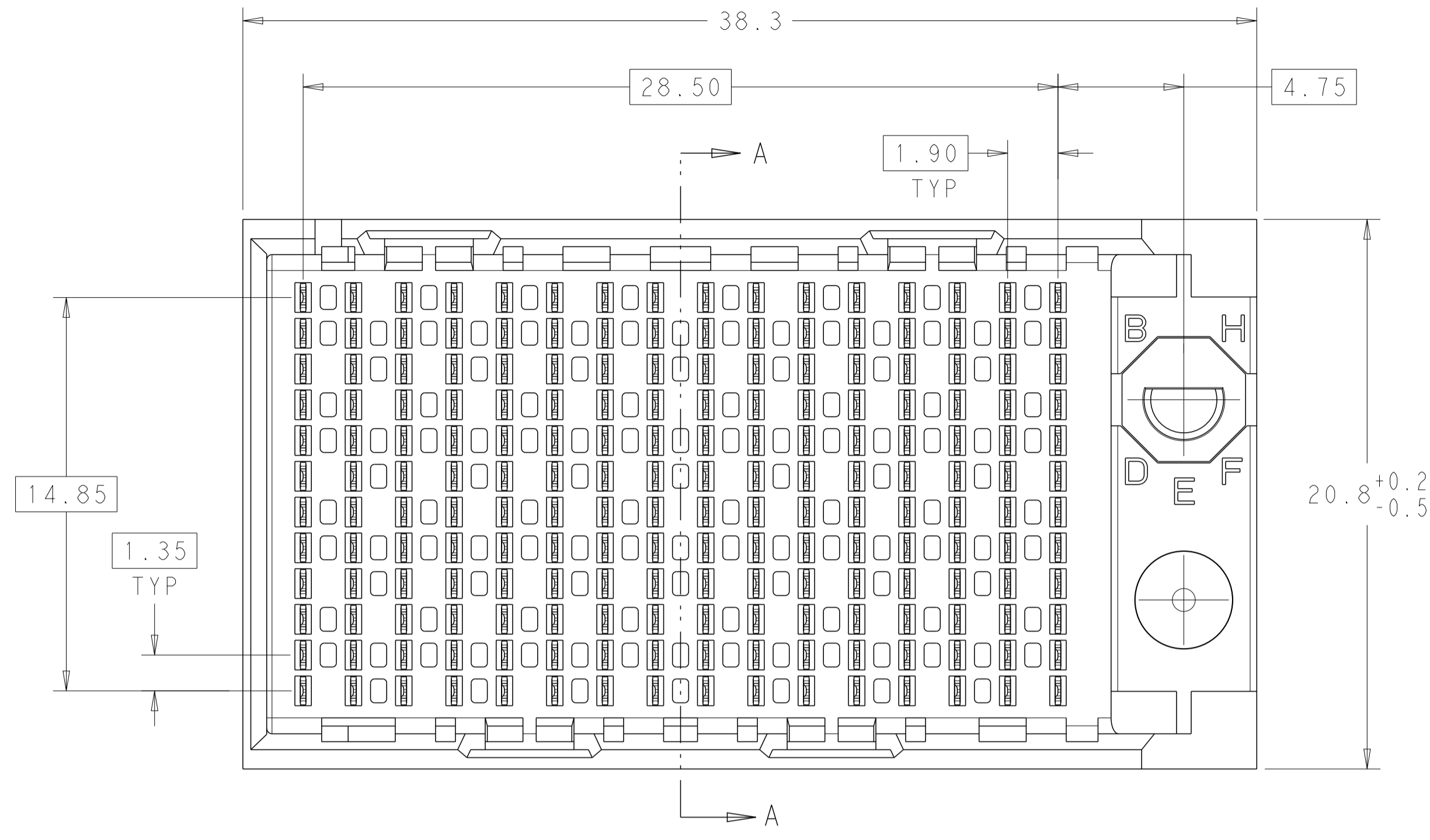
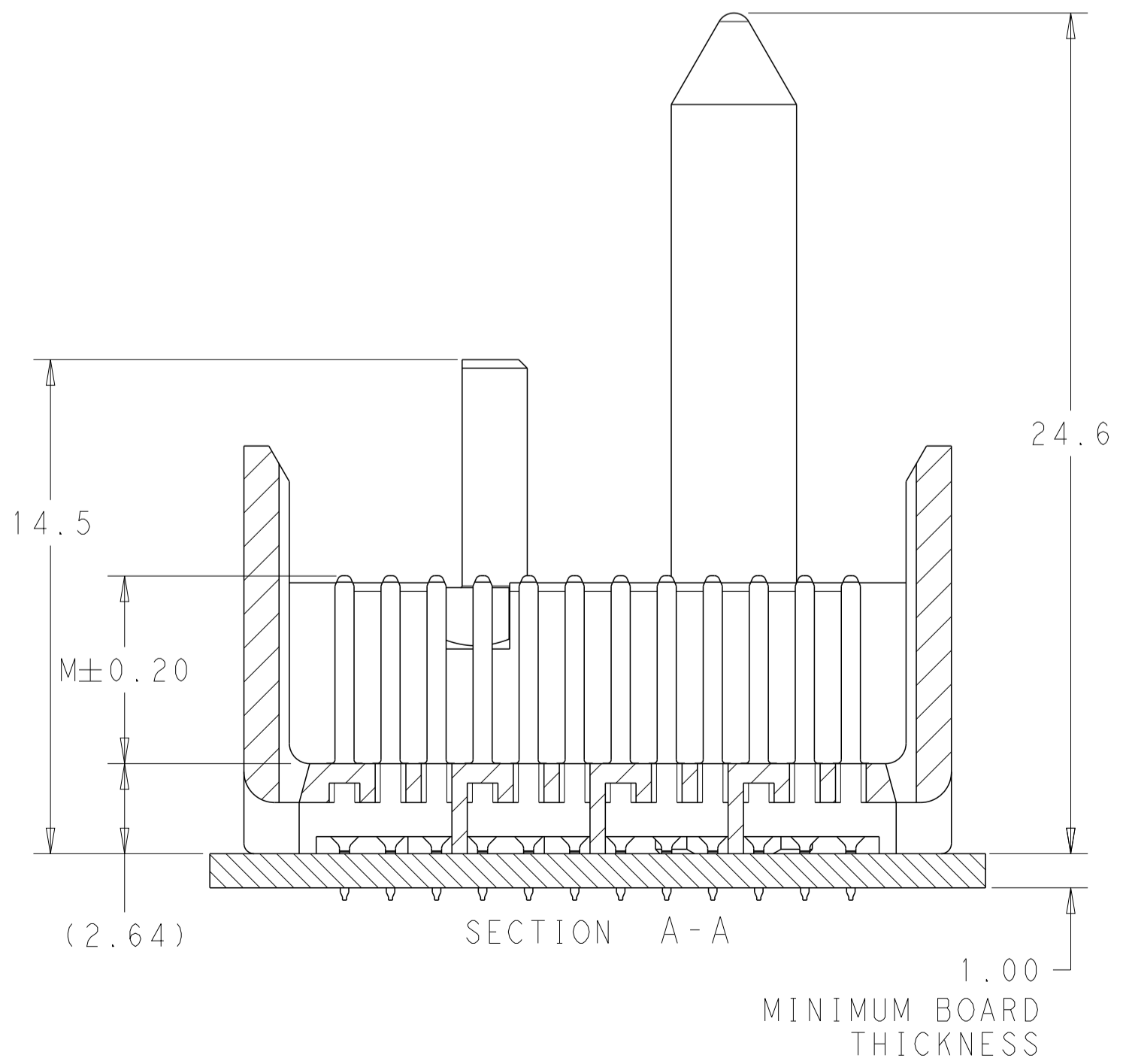
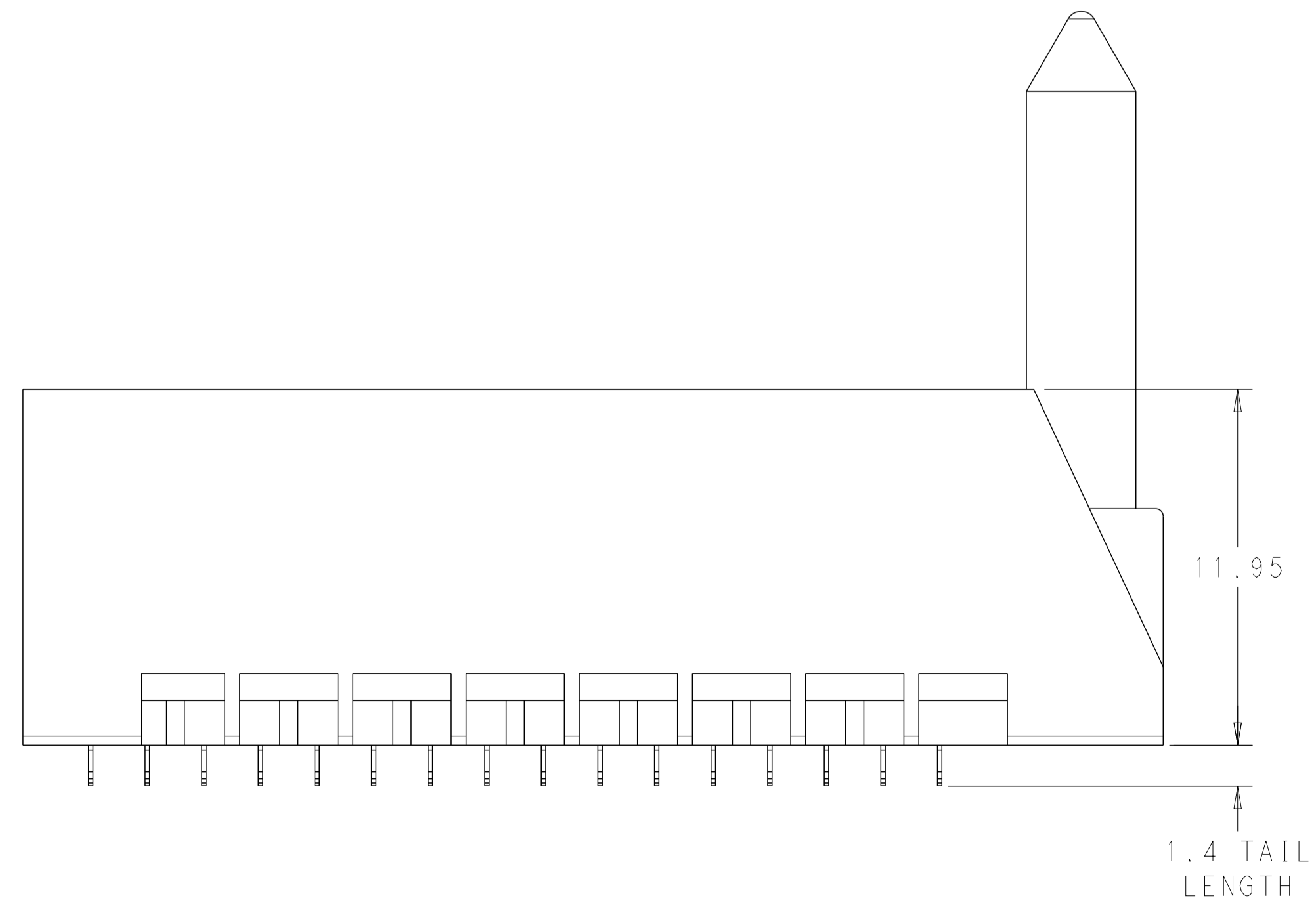
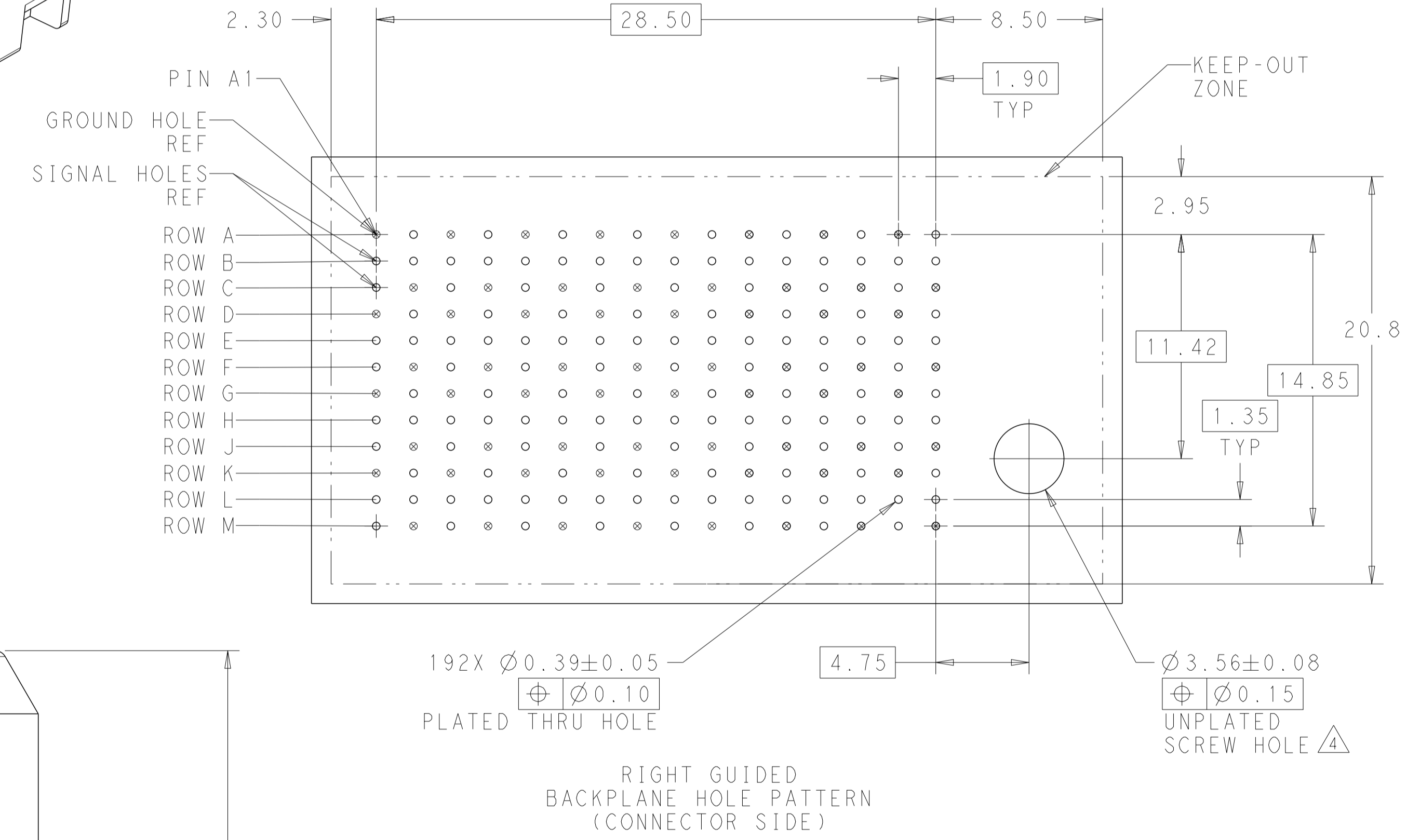


REVISIONS				
P	LTN	DESCRIPTION	DATE	APVD
B1		REVISED PER ECO-15-001494	05FEB2015	AP DD
B2		REVISED PER ECN-24-252171	22FEB2024	AP RS

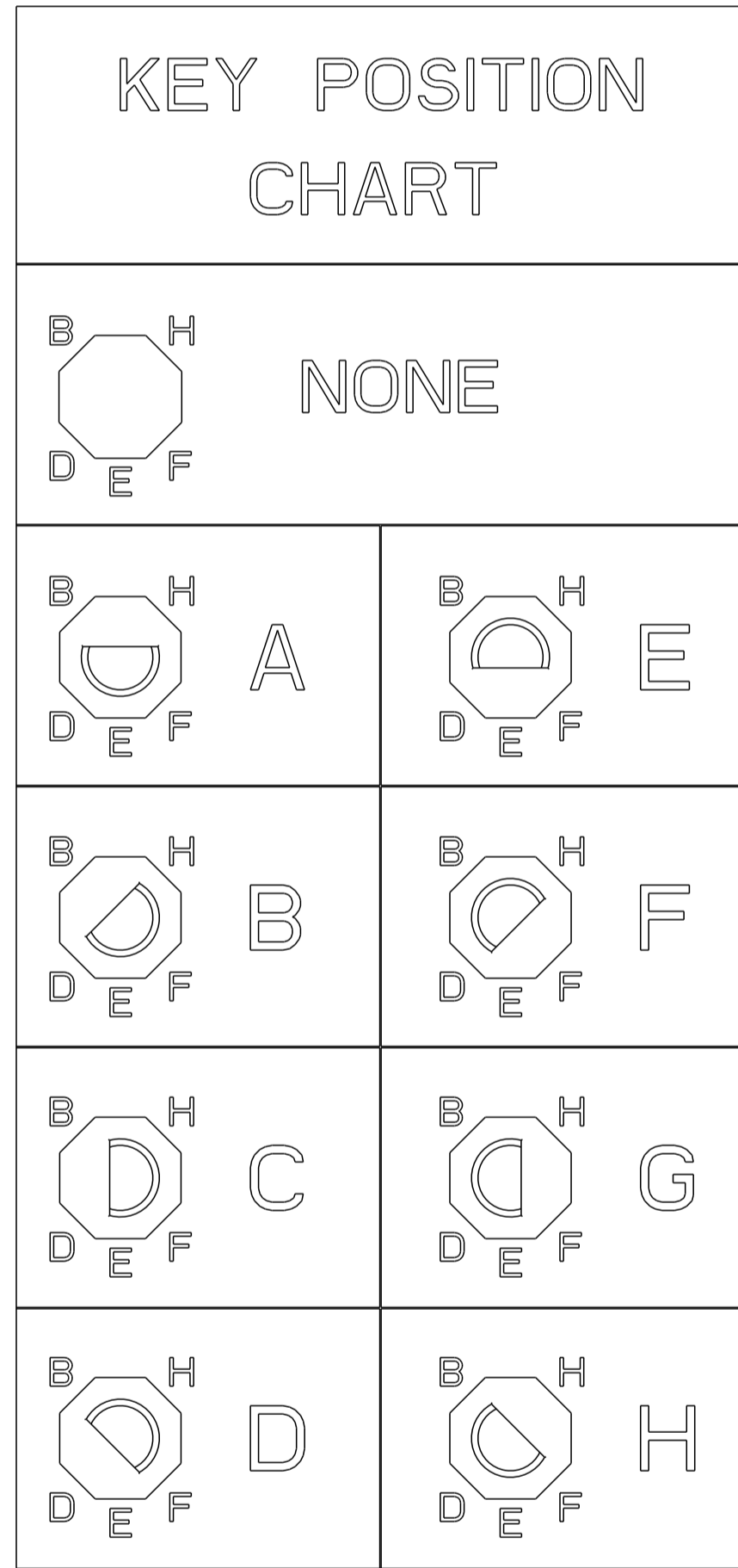


- 1 MATERIAL:
HOUSING: LCP, GLASS FILLED, UL94V-0.
TERMINALS: HIGH PERFORMANCE COPPER ALLOY.
- 2 FINISH:
30µ" MIN GOLD IN CONTACT AREA. SELECTIVE TIN ON PCB TAILS, NICKEL OVERALL.
3. SCREWS PACKAGED IN END OF PACKAGING TUBE.
- 4 FOR GROUNDED GUIDE PIN USE $\varnothing 3.56 \pm 0.08$ PTH, $\varnothing 3.66$ DRILL, AND $\varnothing 6.5$ PAD.
- 5. KEYING PIN SHOWN IN POSITION A, SEE KEYING CHART ON SHEET 2 FOR OTHER POSITIONS.



THIS DRAWING IS A CONTROLLED DOCUMENT.		DWN J. K. SHOBER 13JAN2011 CHK J. EARY 13JAN2011 APVD J. EARY 13JAN2011	TE Connectivity
DIMENSIONS: mm 	TOLERANCES UNLESS OTHERWISE SPECIFIED: 0 PLC ± 1 PLC ±0.25 2 PLC ±0.13 3 PLC ± 4 PLC ± ANGLES ± FINISH SEE TABLE	NAME PRODUCT SPEC APPLICATION SPEC SIZE CAGE CODE DRAWING NO WEIGHT CUSTOMER DRAWING	
MATERIAL TBD		IMPACT, 4 PAIR, 16 COLUMN, HEADER RIGHT GUIDED, LEFT END WALL SIGNAL MODULE, 0.39 PTH A100779C=2007831	RESTRICTED TO SCALE 6:1 SHEET 1 OF 2 REV B2

REVISIONS				
P	LTN	DESCRIPTION	DATE	OWN APVD
-		SEE SHEET 1	-	-



	H	5.5	8-2007831-3	OBSOLETE
	H	4.9	8-2007831-2	
	H	4.5	8-2007831-1	
	G	5.5	7-2007831-3	
	G	4.9	7-2007831-2	
	G	4.5	7-2007831-1	
	F	5.5	6-2007831-3	
	F	4.9	6-2007831-2	
	F	4.5	6-2007831-1	
	E	5.5	5-2007831-3	
	E	4.9	5-2007831-2	
	E	4.5	5-2007831-1	
	D	5.5	4-2007831-3	
	D	4.9	4-2007831-2	
	D	4.5	4-2007831-1	
	C	5.5	3-2007831-3	
	C	4.9	3-2007831-2	
	C	4.5	3-2007831-1	
	B	5.5	2-2007831-3	
	B	4.9	2-2007831-2	
	B	4.5	2-2007831-1	
	A	5.5	1-2007831-3	
	A	4.9	1-2007831-2	
	A	4.5	1-2007831-1	
	-	5.5	2007831-3	
	-	4.9	2007831-2	
	-	4.5	2007831-1	
FINISH	KEY POSITION	DIM M	PART NUMBER	

REFER TO WWW.TE.COM
FOR PRODUCT AVAILABILITY

THIS DRAWING IS A CONTROLLED DOCUMENT.		OWN J. K. SHOBER 13JAN2011	TE Connectivity
DIMENSIONS: mm		CHK J. EARY 13JAN2011	
TOLERANCES UNLESS OTHERWISE SPECIFIED: 0 PLC ±.25 1 PLC ±0.13 2 PLC ±.13 3 PLC ±. 4 PLC ±. ANGLES ±. FINISH ±.		APVD J. EARY 13JAN2011	NAME IMPACT, 4 PAIR, 16 COLUMN, HEADER RIGHT GUIDED, LEFT END WALL SIGNAL MODULE, 0.39 PTH
MATERIAL - SEE TABLE		WEIGHT -	RESTRICTED TO A100779C=2007831
CUSTOMER DRAWING		SCALE 5:1	SHEET 2 OF 2 REV B2