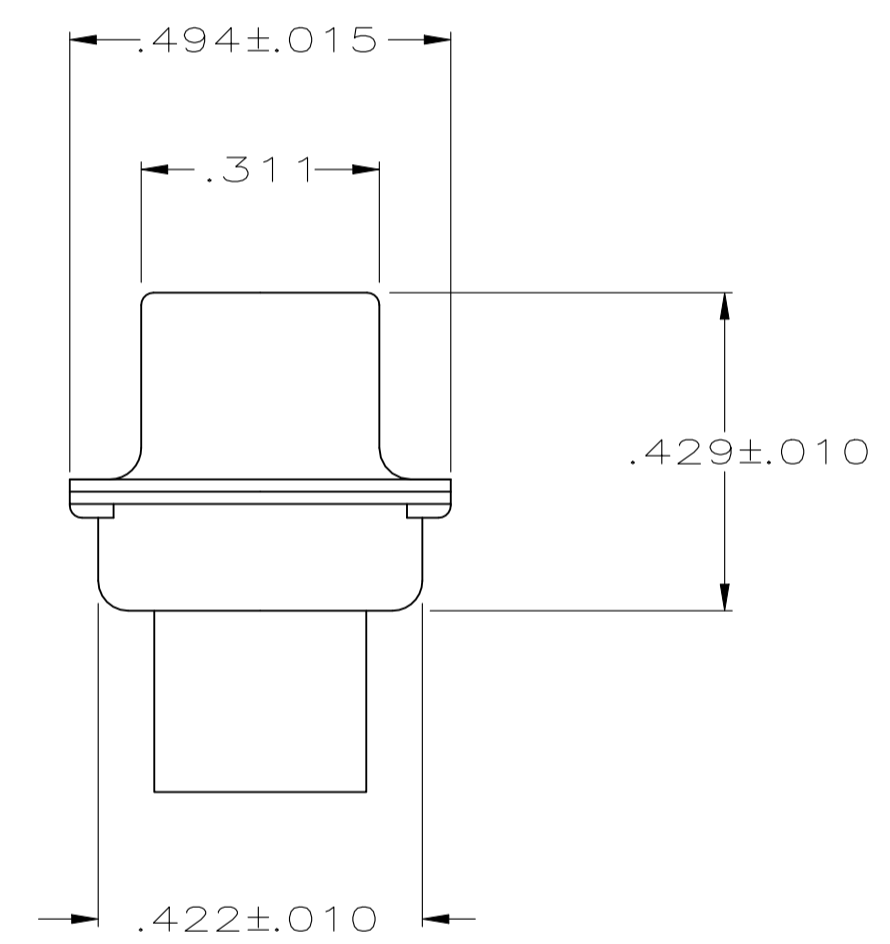
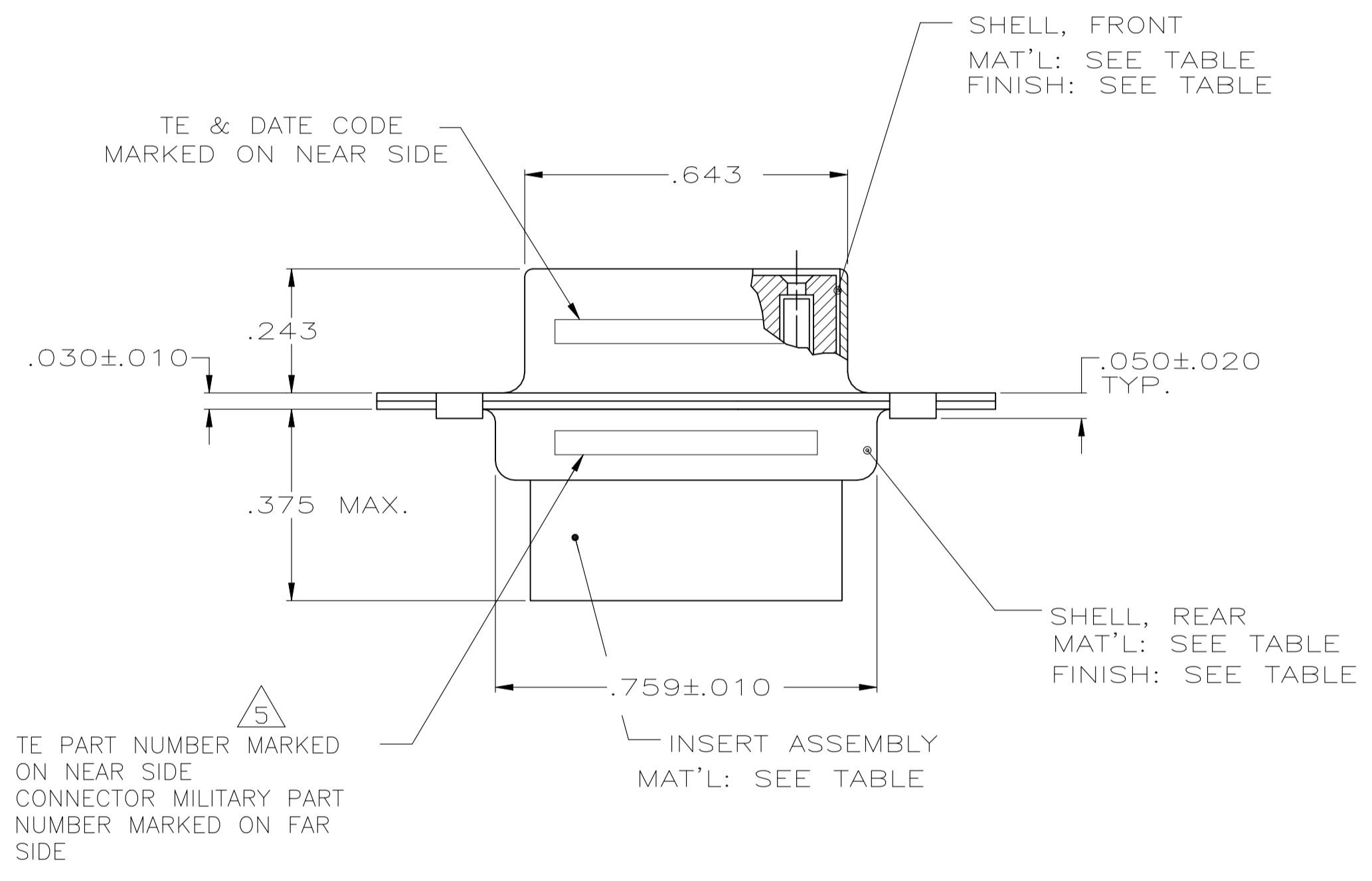
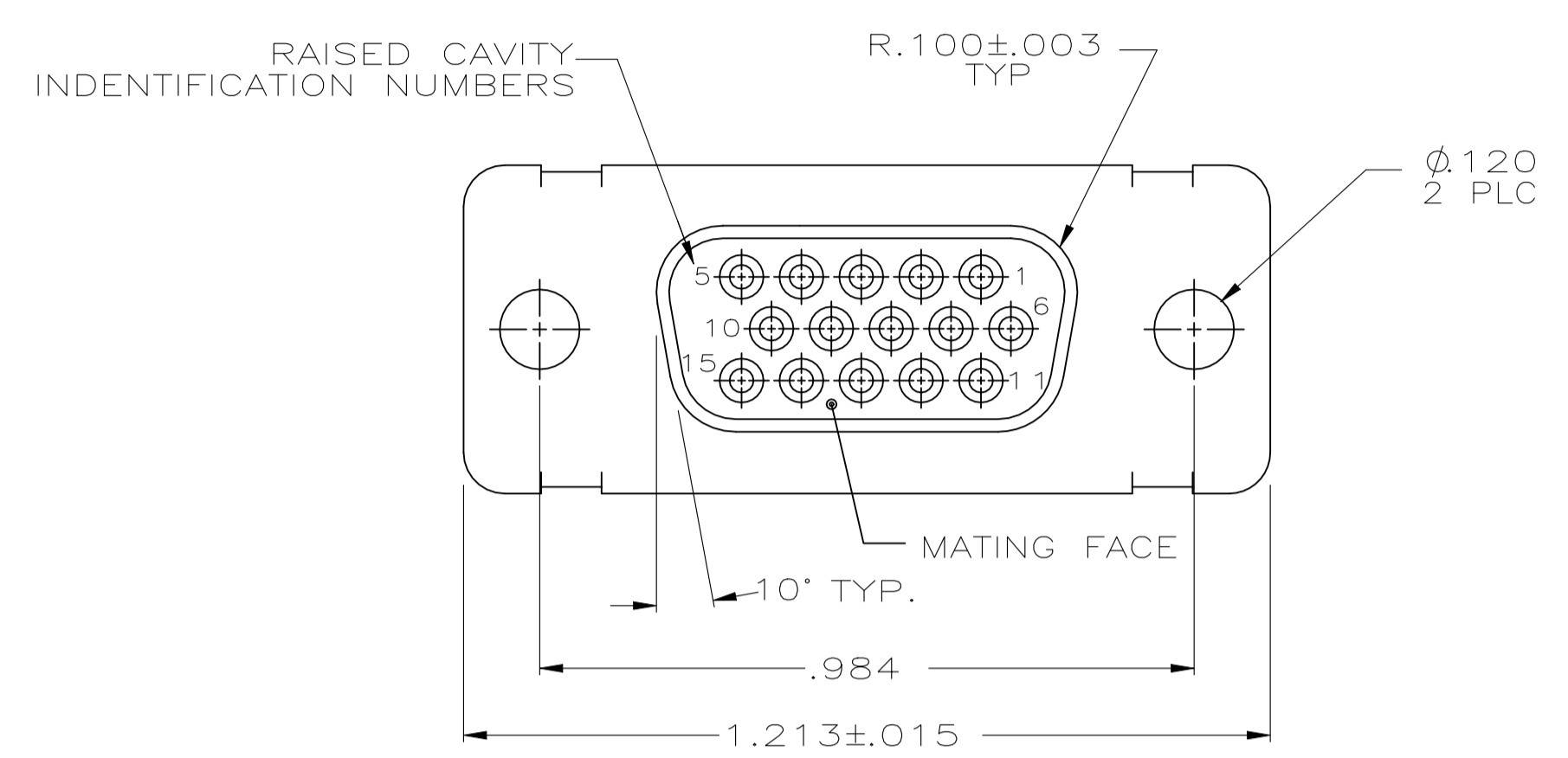


REVISIONS					
P	LTR	DESCRIPTION	DATE	DN	APVD
Y		REVISED PER ECN-24-265547	15MAY2024	PE	DS

- THIS RCPT. IS DESIGN TO CONFORM TO THE LATEST ISSUE OF MIL-C-24308.
  - MAX WIRE INSUL TO BE USED WITH THIS RCPT IS .054 DIA.
  - METAL RETENTION CLIPS AREA INCLUDED IN INSERTS.
  - THIS RCPT WILL ACCEPT SIZE 22 SOCKET CONTACT M 39029/57-354 OR ANY HDD-22 CONTACT.
- 5 TE PART NO. STAMPED ON CONNECTOR REPRESENTS KIT NUMBER WITH CONTACTS.
- 6 FINISH: PLATED BRIGHT TIN .000400 MIN THK PER ASTM-B-545 OVER COPPER PLATE .000050 MIN THK PER MIL-C-14550.



204500-4	-	-	6	STEEL, CLASS G	POLYPHENEYLENE SULFIDE (PPS) GST-40F PER MIL-M-24519 OR GLASS FILLED POLYESTER TPES013G30 PER ASTM D5927	204500-4
SUPSD BY 204500-1	-	-	CADMIUM PER QQ-P-416	STEEL, CLASS G	PHENOLIC COLOR: BLACK	204500-3
SUPSD BY 206499-4	-	-	CADMIUM PER QQ-P-416	BRASS	DIALYL PHTHALATE COLOR: BLUE	204500-2
204512-2	5	M24308/2-286F	M24308/2-11F	CADMIUM PER QQ-P-416	POLYPHENEYLENE SULFIDE (PPS) GST-40F PER MIL-M-24519 OR GLASS FILLED POLYESTER TPES013G30 PER ASTM D5927	204500-1
TE P/N MARKED ON CONNECTOR	MILITARY P/N ON PACKAGE	MILITARY P/N ON CONNECTOR	SHELL FINISH	SHELL MATERIAL	INSERT MATERIAL	PART NUMBER

WARNING - THIS DOCUMENT CONTAINS TECHNOLOGY WHOSE EXPORT IS RESTRICTED BY THE EXPORT ADMINISTRATION REGULATIONS ("EAR") PURSUANT TO 15 C.F.R. PARTS 730-774. VIOLATIONS OF THE EAR ARE SUBJECT TO SEVERE CRIMINAL PENALTIES UNDER THE EXPORT CONTROL REFORM ACT, AS AMENDED (TITLE 50, U.S.C., SEC. 4801, ET SEQ.).

THIS DRAWING IS A CONTROLLED DOCUMENT.

DIMENSIONS: INCHES

TOLERANCES UNLESS OTHERWISE SPECIFIED:

0 PLC	± .005
1 PLC	± .002
2 PLC	± .001
3 PLC	± .0005
4 PLC	± .0002
ANGLES	± .005

MATERIAL: SEE CALLOUTS

FINISH: SEE CALLOUTS

WEIGHT: 0.000000

CUSTOMER DRAWING

MANUNATH G. M. 05JUN2015  
CHARLES THOMAS 05JUN2015  
CHARLES THOMAS 05JUN2015

RCPT ASSY,AMPLIMITE, SIZE 1,15 POSN,SERIES 90

SCALE: 4:1 SHEET 1 OF 1 REV Y