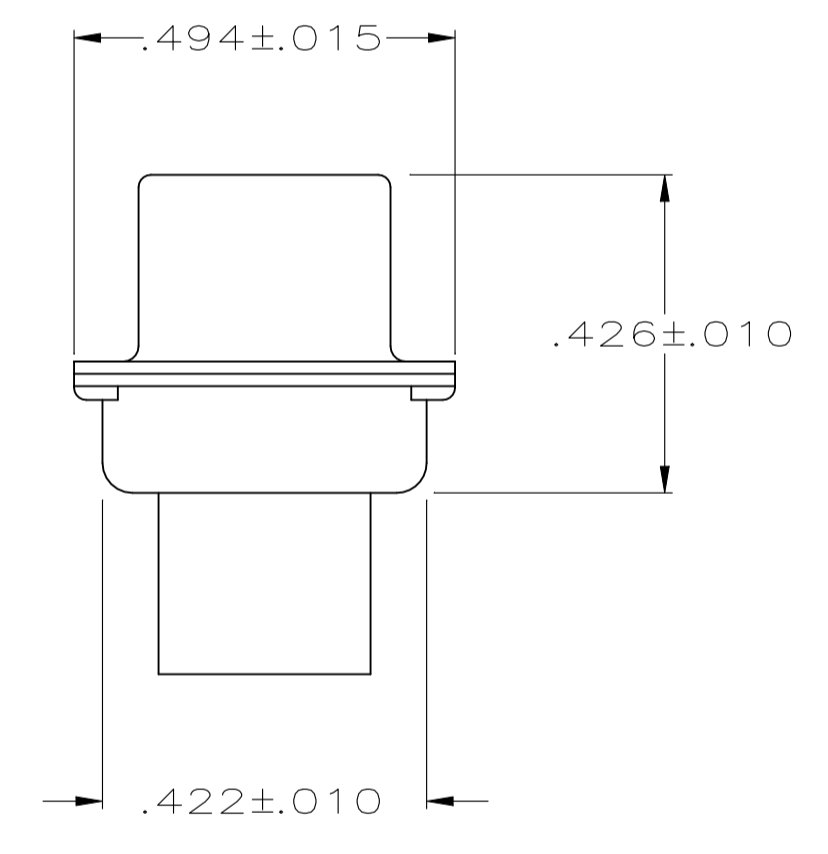
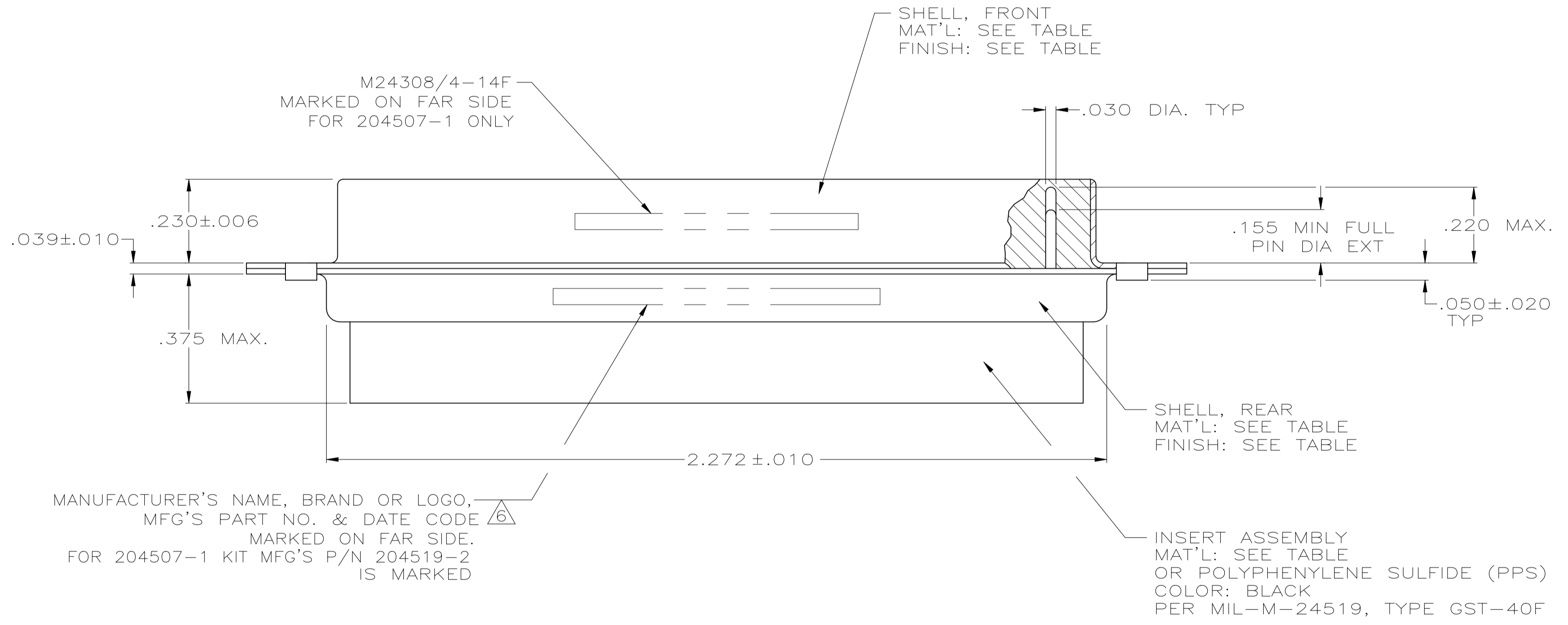
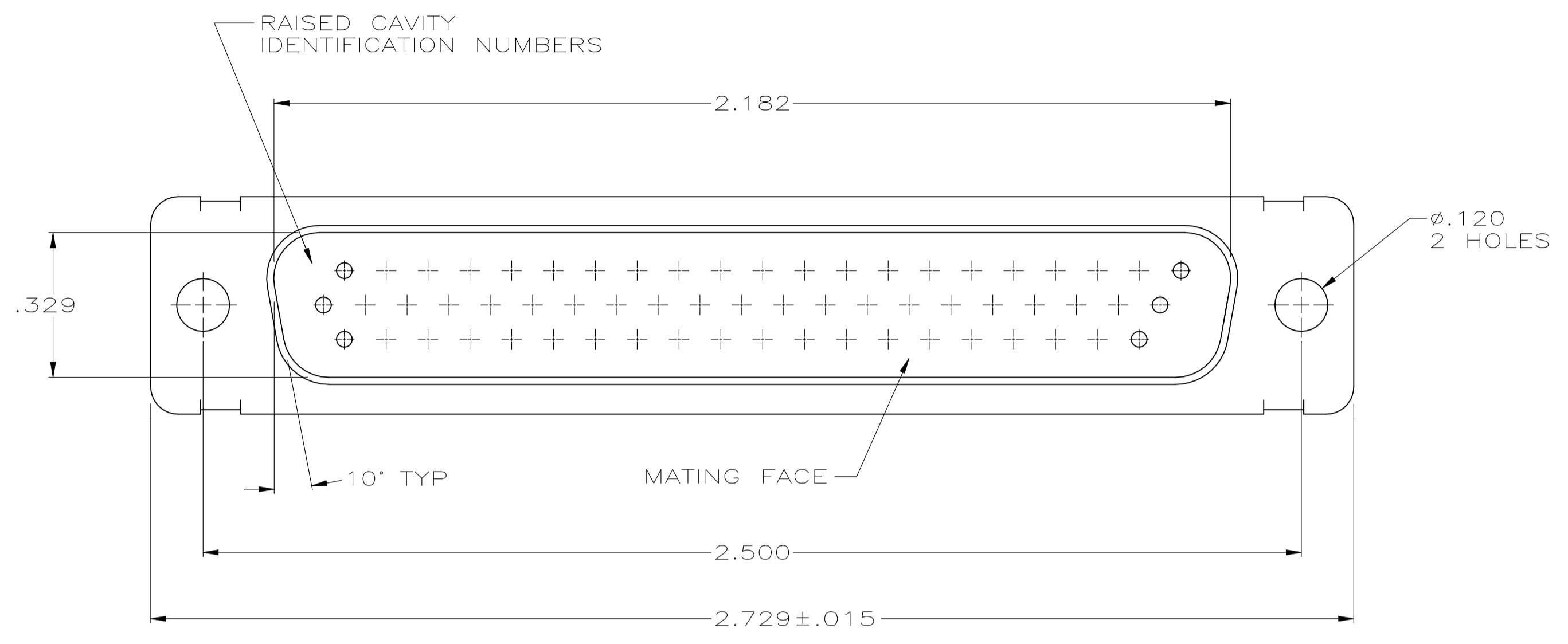


REVISIONS				
P	LTR	DESCRIPTION	DATE	APP'D
Y		REVISED PER ECN-24-271329	18JUN2024	PE DS

- THIS PLUG IS DESIGNED TO CONFORM TO THE LATEST ISSUE OF MIL-C-24308.
 - MAX WIRE INSUL. TO BE USED WITH THIS PLUG IS .054 DIA.
 - METAL RETENTION CLIPS ARE INCLUDED IN INSERTS.
 - PACKAGE STAMPED M 24308/4-267F.
 - THIS PLUG WILL ACCEPT SIZE 22 PIN CONTACT M 39029/58-360 OR ANY TYCO HDD-22 PIN CONTACT
- ⚠️ MFG'S PART NO. STAMPED ON CONNECTOR KIT NUMBER WITH CONTACTS FOR 204507-1 ONLY.
 - ⚠️ P/N'S 204507-4, -5, & 5--4 HAVE GROUNDING INDENTS ON FRONT SHELL, NOT SHOWN ON DRAWING.
 - ⚠️ FINISH: BRIGHT TIN PER ASTM-B-545 .000400-.000550 THK OVER COPPER PER AMS2418, .000050 MIN THK.



MANUFACTURER'S NAME, BRAND OR LOGO, MFG'S PART NO. & DATE CODE MARKED ON FAR SIDE. FOR 204507-1 KIT MFG'S P/N 204519-2 IS MARKED

INSERT ASSEMBLY MAT'L: SEE TABLE OR POLYPHENYLENE SULFIDE (PPS) COLOR: BLACK PER MIL-M-24519, TYPE GST-40F

⚠️ 5-204507-4 OBSOLETE	BRIGHT TIN PER ASTM-B-545	STEEL, CLASS G	GST-40F PER MIL-M-24519	5-204507-4
204507-6 OBSOLETE	⚠️	STEEL, CLASS G	GST-40F PER MIL-M-24519	204507-6
⚠️ 204507-5 OBSOLETE	⚠️	STEEL, CLASS G	GST-40F PER MIL-M-24519	204507-5
⚠️ 204507-4 OBSOLETE	BRIGHT TIN PER ASTM-B-545	STEEL, CLASS G	GST-40F PER MIL-M-24519	204507-4
SUPSD BY 204507-1	CADMIUM PER QQ-P-416	STEEL, CLASS G	GST-40F PER MIL-M-24519	204507-3
SUPSD BY 206502-4	CADMIUM PER QQ-P-416	BRASS	GST-40F PER MIL-M-24519	204507-2
	CADMIUM PER QQ-P-416	STEEL, CLASS G	GST-40F PER MIL-M-24519	204507-1
	SHELL FINISH	SHELL MAT'L	INSERT MAT'L	PART NO.

WARNING - THIS DOCUMENT CONTAINS TECHNOLOGY WHOSE EXPORT IS RESTRICTED BY THE EXPORT ADMINISTRATION REGULATIONS ("EAR") PURSUANT TO 15 C.F.R. PARTS 730-774. VIOLATIONS OF THE EAR ARE SUBJECT TO SEVERE CRIMINAL PENALTIES UNDER THE EXPORT CONTROL REFORM ACT, AS AMENDED (TITLE 50, U.S.C., SEC. 4801, ET SEQ.).

THIS DRAWING IS A CONTROLLED DOCUMENT.

DIMENSIONS: INCHES

TOLERANCES UNLESS OTHERWISE SPECIFIED:

0. PLC	± .005
1. PLC	± .005
2. PLC	± .005
3. PLC	± .005
4. PLC	± .005
ANGLES	± .030°

MATERIAL: SEE TABLE

FINISH: SEE CALLOUTS

WEIGHT: --

CUSTOMER DRAWING

DIN: C.C. THOMAS 01DEC87

CHK: F.C. BALLEW 25JAN88

APP'D: F.C. BALLEW 25JAN88

NAME: AMPLIMITE PLUG FOR PIN CONTACTS HI-DENSITY D CONNECTOR SZ 4 (62 POSN) SERIES 90

SIZE: A1

SCALE: 4:1

SHEET: 1 OF 1

REV: Y