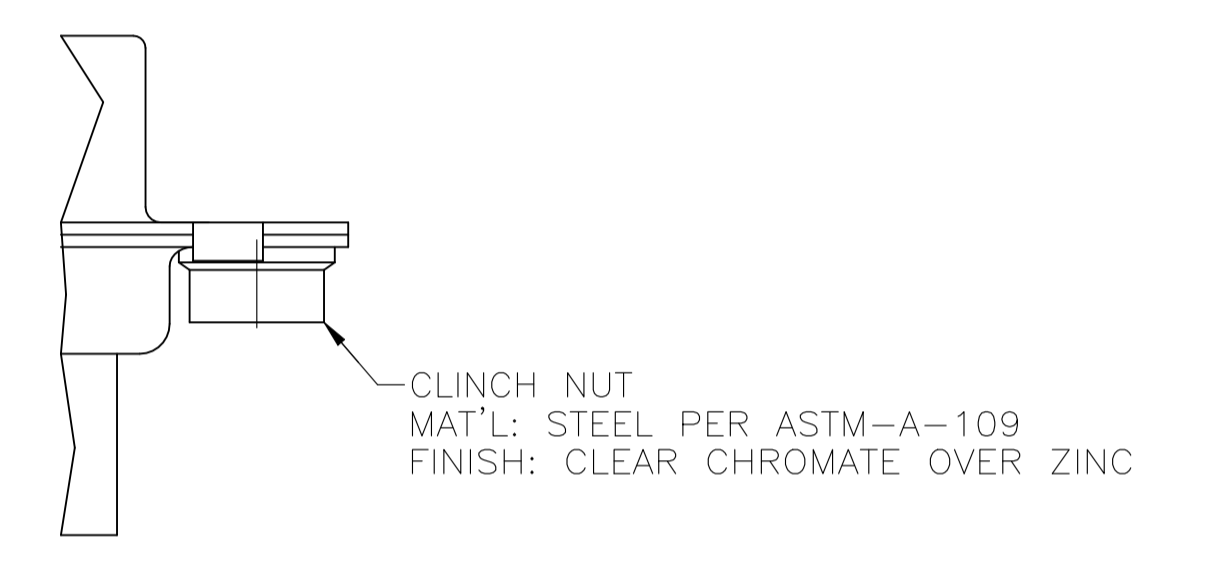
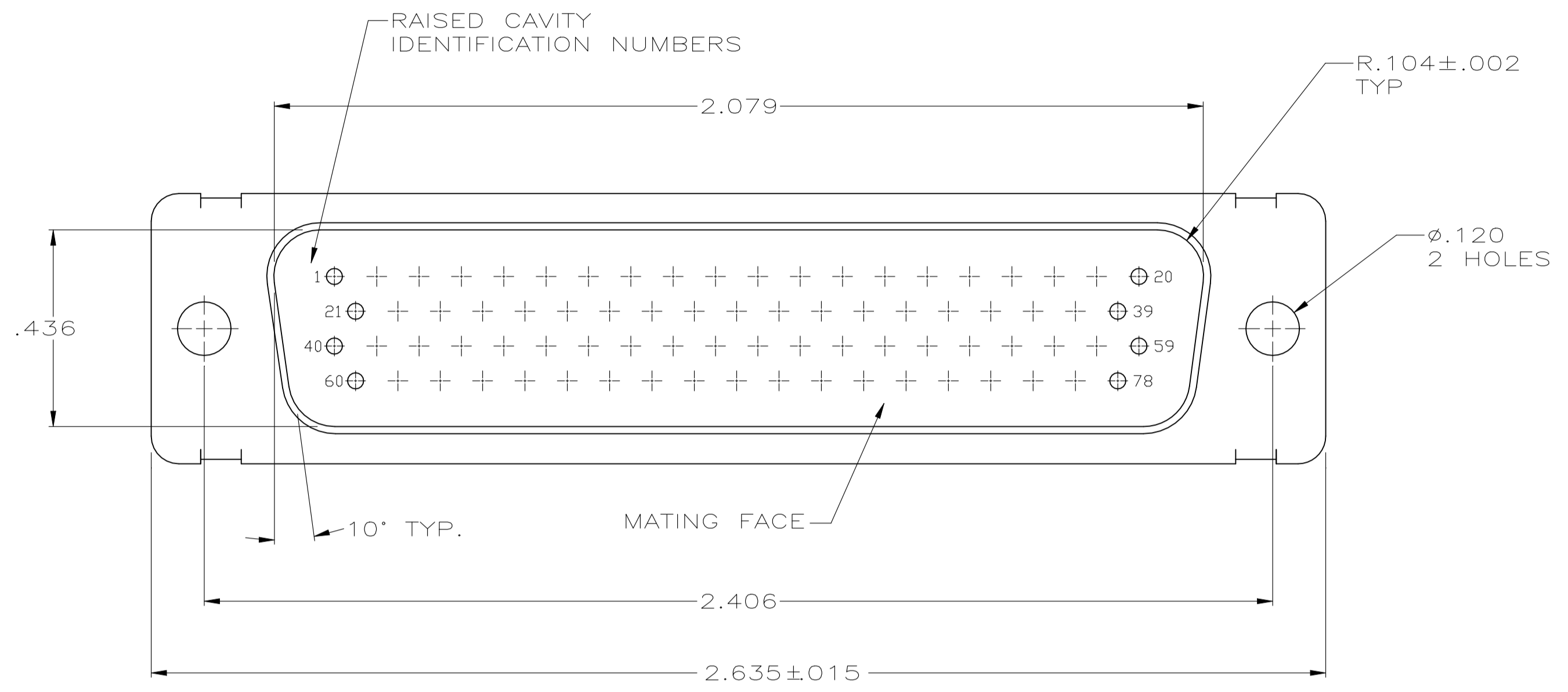
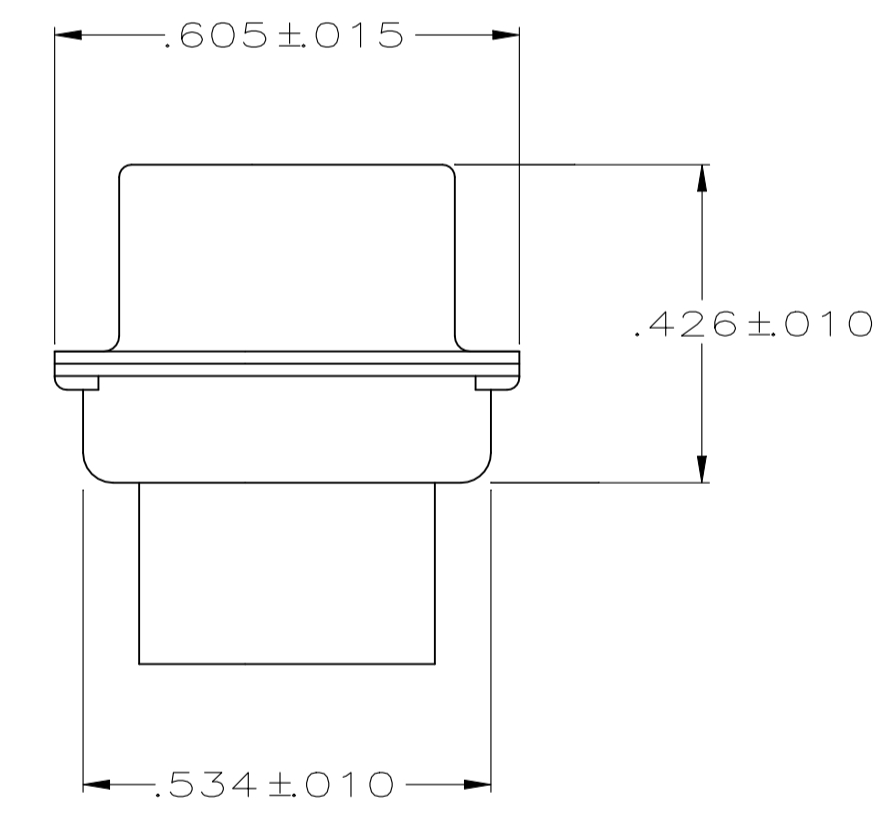
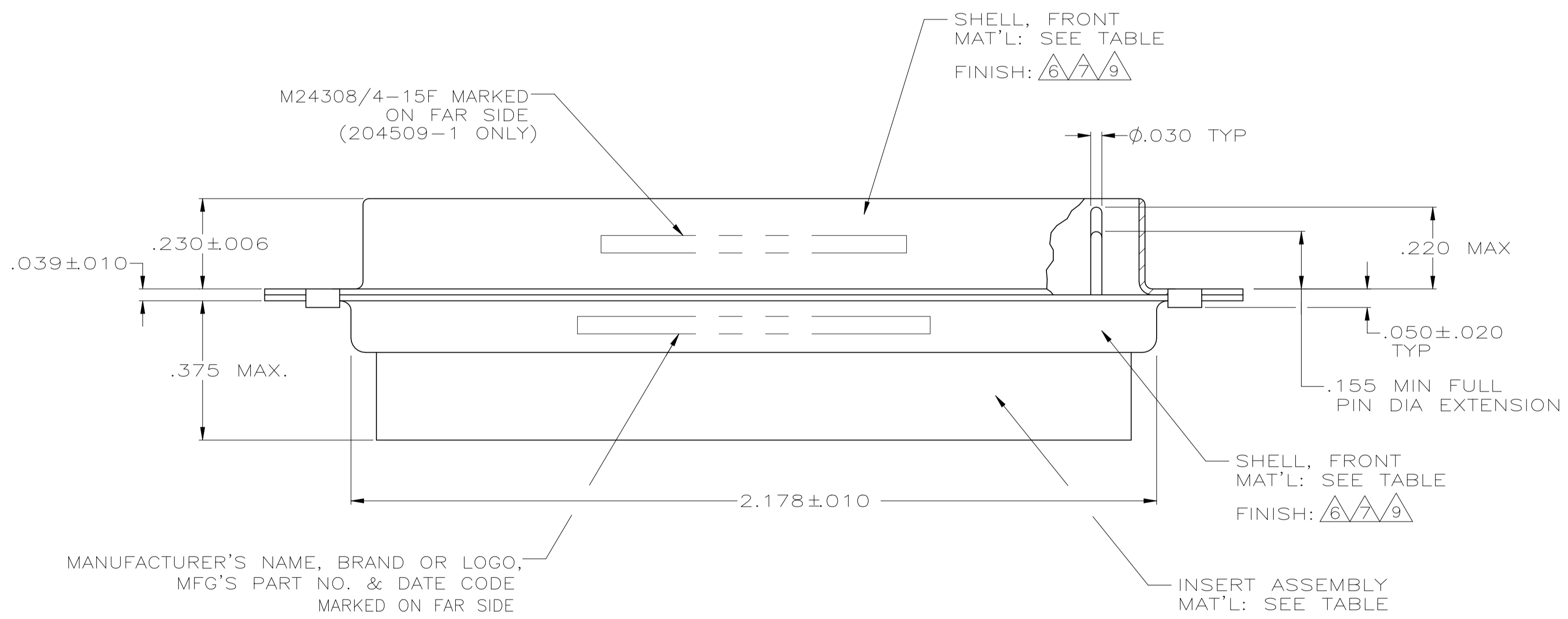


REVISIONS					
P	LTR	DESCRIPTION	DATE	DN	APVD
Z		REVISED PER ECN-24-266863	20MAY2024	PP	DS

- 204509-1 IS DESIGNED TO CONFORM TO THE LATEST ISSUE OF MIL-C-24308.
 - MAX WIRE INSUL. TO BE USED WITH THIS PLUG IS .054 DIA.
 - METAL RETENTION CLIPS ARE INCLUDED IN INSERTS.
 - PACKAGE STAMPED M 24308/4-268F, 204509-1 ONLY.
 - THIS PLUG WILL ACCEPT SIZE 22 PIN CONTACT M 39029/58-360 OR ANY TYCO HDD-22 PIN CONTACT.
- △6 CADMIUM PER QQ-P-416.
 - △7 BRIGHT TIN PER ASTM-B-545 OVER COPPER PER AMS2418.
 - △8 GROUNDING INDENTS ON FRONT SHELL NOT SHOWN ON DRAWING.
 - △9 BRIGHT TIN PER ASTM-B-545 .000400-.000550 THK OVER COPPER PER AMS2418 .000050 MIN THK.



CLINCH NUT DETAIL
FOR 204509-6 ONLY
2 PLC



REMARKS	FINISH	MARK P/N	SHELL MATERIAL	INSERT MATERIAL	PART NO.
	△8	204509-8	STEEL PER ASTM-A-109	GST-40F PER MIL-M-24519 COLOR: BLACK	204509-8
204509-7 OBSOLETE	-	204509-7	STEEL PER ASTM-A-109	GST-40F PER MIL-M-24519 COLOR: BLACK	204509-7
204509-6 OBSOLETE	SEE CLINCH NUT DETAIL	204509-6	STEEL PER ASTM-A-109	GST-40F PER MIL-M-24519 COLOR: BLACK	204509-6
204509-5 OBSOLETE	△8	204509-5	STEEL PER ASTM-A-109	GST-40F PER MIL-M-24519 COLOR: BLACK	204509-5
SUPSD BY 204509-1	-	204509-3	STEEL PER ASTM-A-109	GST-40F PER MIL-M-24519 COLOR: BLACK	204509-3
SUPSD BY 206504-4	-	204521-5	BRASS	GST-40F PER MIL-M-24519 COLOR: BLACK	204509-2
	-	204521-2	STEEL PER ASTM-A-109	GST-40F PER MIL-M-24519 COLOR: BLACK	204509-1

WARNING - THIS DOCUMENT CONTAINS TECHNOLOGY WHOSE EXPORT IS RESTRICTED BY THE EXPORT ADMINISTRATION REGULATIONS ("EAR") PURSUANT TO 15 C.F.R. PARTS 730-774. VIOLATIONS OF THE EAR ARE SUBJECT TO SEVERE CRIMINAL PENALTIES UNDER THE EXPORT CONTROL REFORM ACT, AS AMENDED (TITLE 50, U.S.C., SEC. 4801, ET SEQ.).

THIS DRAWING IS A CONTROLLED DOCUMENT.

DIN C.C.THOMAS 13-NOV-99
CHK LARRY OH 13-NOV-99

APVD LARRY OH 13-NOV-99

NAME PLUG ASSY, AMPLIMITE, 78 POSN SIZE 5, SERIES 90

APPLICATION SPEC

SIZE A1 CASE CODE 00779 DRAWING NO. 204509

RESTRICTED TO

MATERIAL SEE CALLOUTS FINISH SEE CALLOUTS WEIGHT --

CUSTOMER DRAWING SCALE 4:1 SHEET 1 OF 1 REV Z