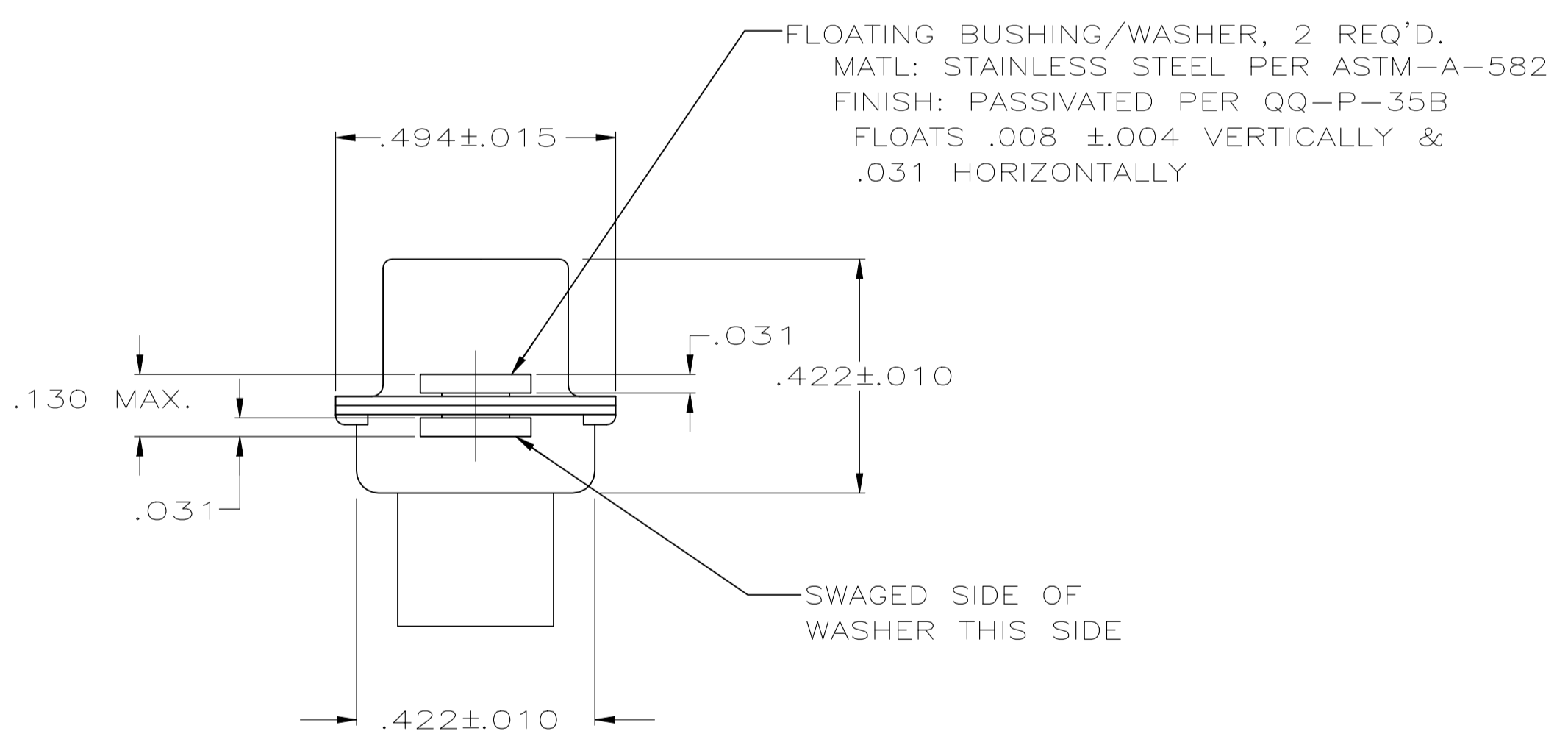
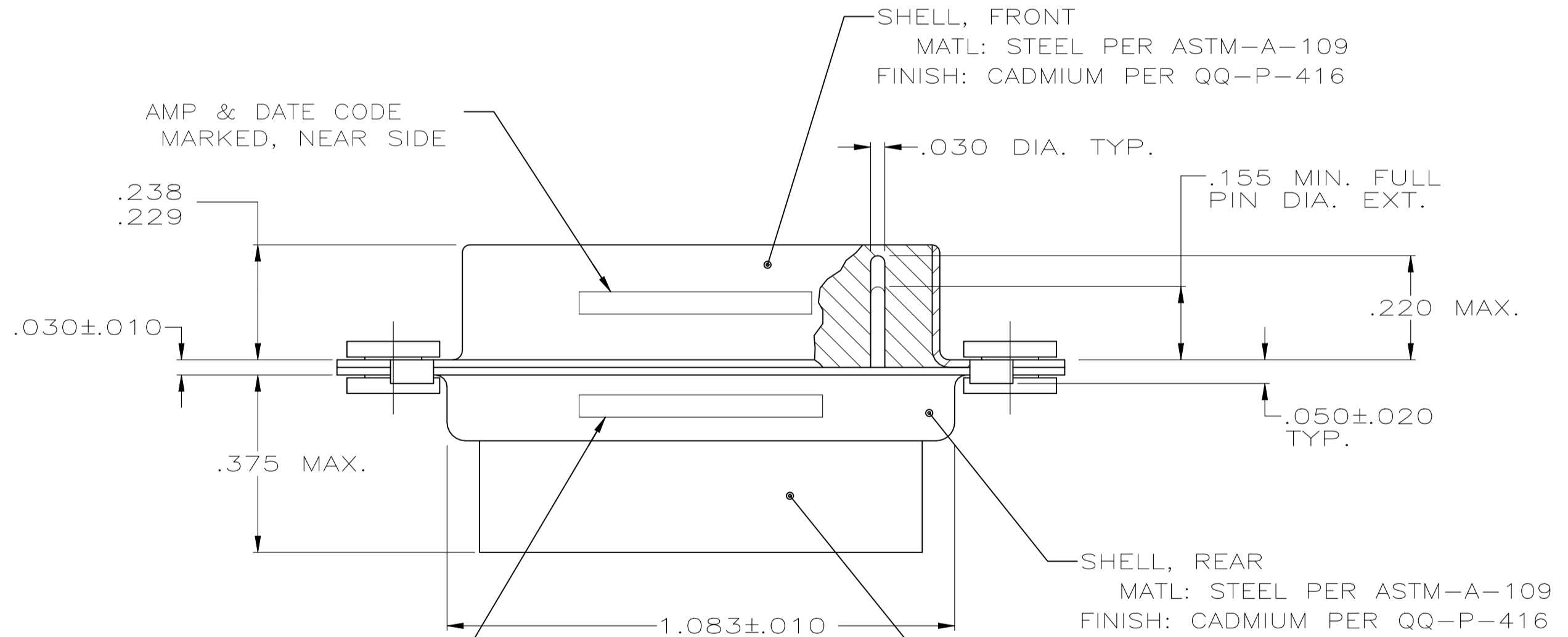
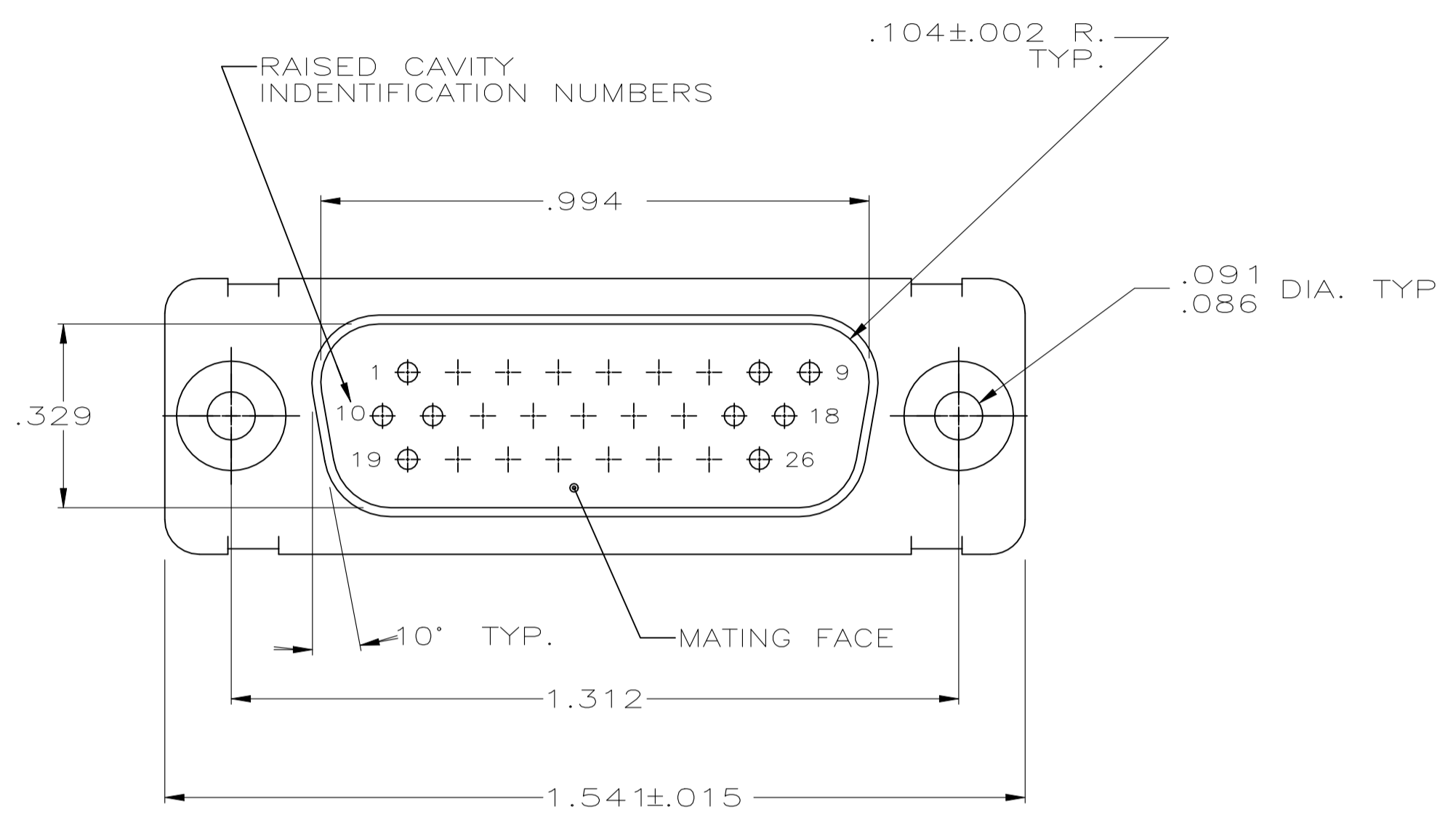


WARNING - THIS DOCUMENT CONTAINS TECHNOLOGY WHOSE EXPORT IS RESTRICTED BY THE EXPORT ADMINISTRATION REGULATIONS ("EAR") PURSUANT TO 15 C.F.R. PARTS 730-774. VIOLATIONS OF THE EAR ARE SUBJECT TO SEVERE CRIMINAL PENALTIES UNDER THE EXPORT CONTROL REFORM ACT, AS AMENDED (TITLE 50, U.S.C., SEC. 4801, ET SEQ.).

REVISIONS					
P	LTR	DESCRIPTION	DATE	DN	APVO
U		REVISED PER ECN-24-267114	24MAY2024	PE	DS



Ⓜ 204539-2
MARKED, NEAR SIDE
24308/4-308F
MARKED, FAR SIDE

INSERT ASSEMBLY
MAT'L: SEE TABLE
OR POLYPHENYLENE SULFIDE (PPS) COLOR: BLACK
PER MIL-M-24519, TYPE GST-40F.

1. THIS PLUG IS DESIGNED TO CONFORM TO THE LATEST ISSUE OF MIL-C-24308
 2. MAX WIRE INSUL. TO BE USED WITH THIS PLUG IS .054 DIA.
 3. METAL RETENTION CLIPS ARE INCLUDED IN INSERTS
 4. PACKAGE MARKED M 24308/4-330F
 5. THIS PLUG WILL ACCEPT SIZE 22 PIN CONTACT M 24308/13 OR AMP # 204370
- Ⓜ AMP PART NO. MARKED ON CONNECTOR REPRESENTS KIT NUMBER WITH CONTACTS

OBSELETE	PHENOLIC, COLOR: BLACK	204527-2
	POLYPHENYLENE SULFIDE (PPS) GST-40F PER MIL-M-24519 OR GLASS FILLED POLYESTER TPES013G30 PER ASTM D5927 COLOR, BLACK	204527-1
	INSERT MATERIAL	PART NO.

THIS DRAWING IS A CONTROLLED DOCUMENT.

DIMENSIONS: INCHES	TOLERANCES UNLESS OTHERWISE SPECIFIED:	DIN 12-3-87	C.C. THOMAS
0. PLC ± -	1. PLC ± -	1-25-88	FC BALLEW
2. PLC ± -	3. PLC ± .005	1-29-88	DJM
4. PLC ± -	ANGLES ± -		
MATERIAL SEE CALLOUTS	FINISH SEE CALLOUTS	WEIGHT -	SIZE CAGE CODE DRAWING NO. RESTRICTED TO
			A1 00779 C=204527
		CUSTOMER DRAWING	SCALE 4:1 SHEET 1 of 1 REV U

STC TE Connectivity

AMPLIMITE PLUG FOR PIN CONTACTS HI-DENSITY D CONN, SZ 2, SER 90 W/FLOAT BUSHINGS