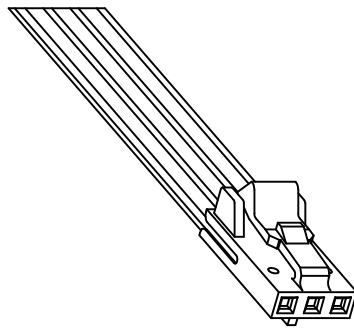
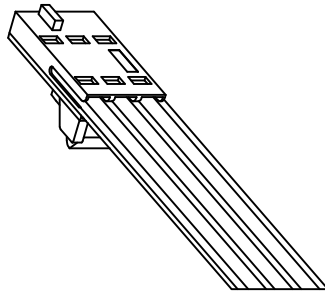


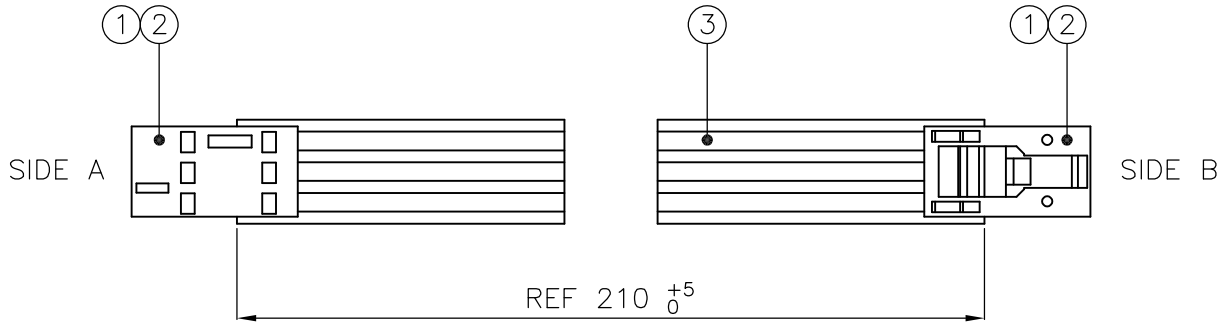
LOC H	DIST —	REVISIONS				
P	LTR	DESCRIPTION	DATE	DWN	APVD	
	A	INITIAL DRAWING	23-06-09	AEG	BSK	
	A1	ECR-09-019798	22-09-09	ZJ	LGA	

TE PN
2073665-1

SIDE A



SIDE B



1	AR	3P. .100 FFC CABLE	3
2	PCS	RCPT. LATCH, PLC, FFC	2
6	PCS	FFC, RCPT CONTACT, STD PRESSURE	1
QTY	UOM	DESCRIPTION	ITEM

RELEASED FOR PUBLICATION

ALL INTERNATIONAL RIGHTS RESERVED.

BY TYCO ELECTRONICS CORPORATION.

© COPYRIGHT

THIS DRAWING IS UNPUBLISHED.

DIMENSIONS: mm	DWN GNANI JADAV A E	23JUN09	MATERIAL	FINISH —		
	CHK B.SKUGOR	24JUN09	Tyco Electronics Corporation 's-Hertogenbosch, Nederland			
TOLERANCES UNLESS OTHERWISE SPECIFIED:	APVD J.KLERKS	24JUN09			NAME FFC ASSEMBLY	
0 PLC ± -	PRODUCT SPEC	—	SIZE	CAGE CODE	DRAWING NO	RESTRICTED TO
1 PLC ± -	APPLICATION SPEC	—	A4	00779	C-2073665	—
2 PLC ± -	WEIGHT	—	CUSTOMER DRAWING			SCALE
3 PLC ± -						NTS
4 PLC ± -						SHEET
ANGLES ± -						1 OF 1
						REV
						A1

