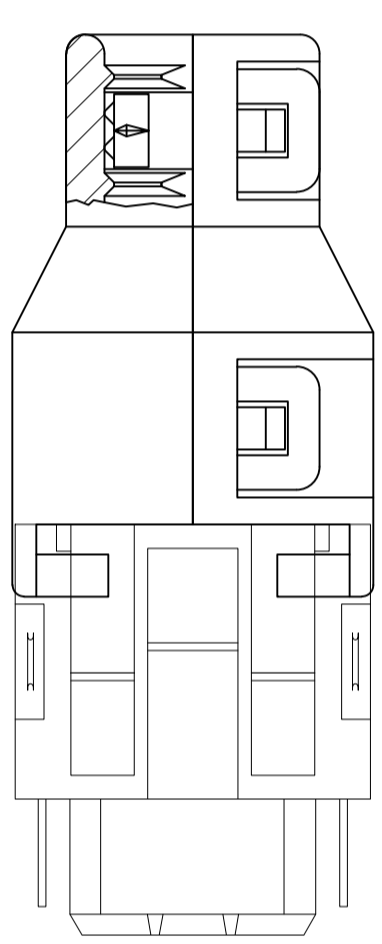
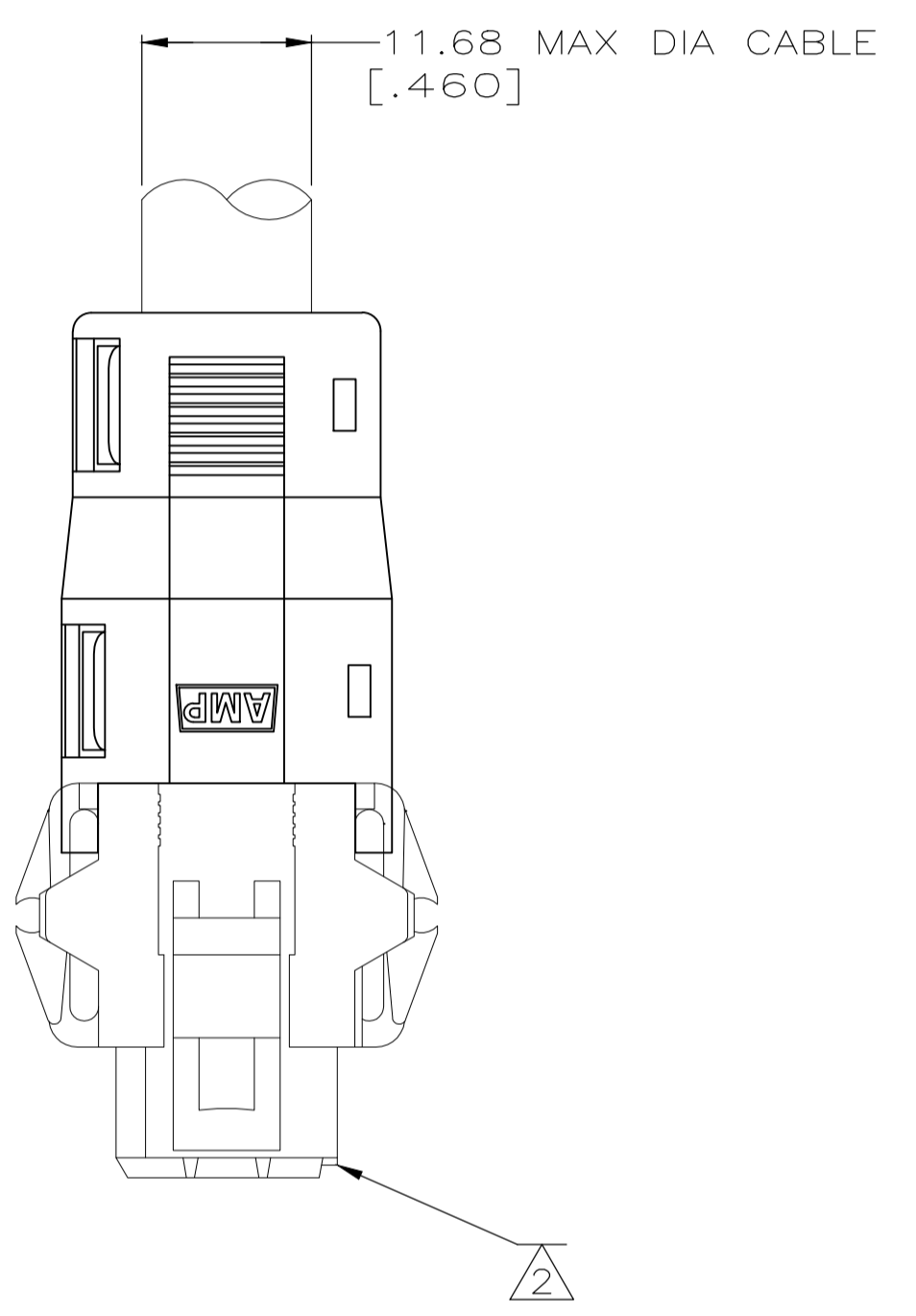
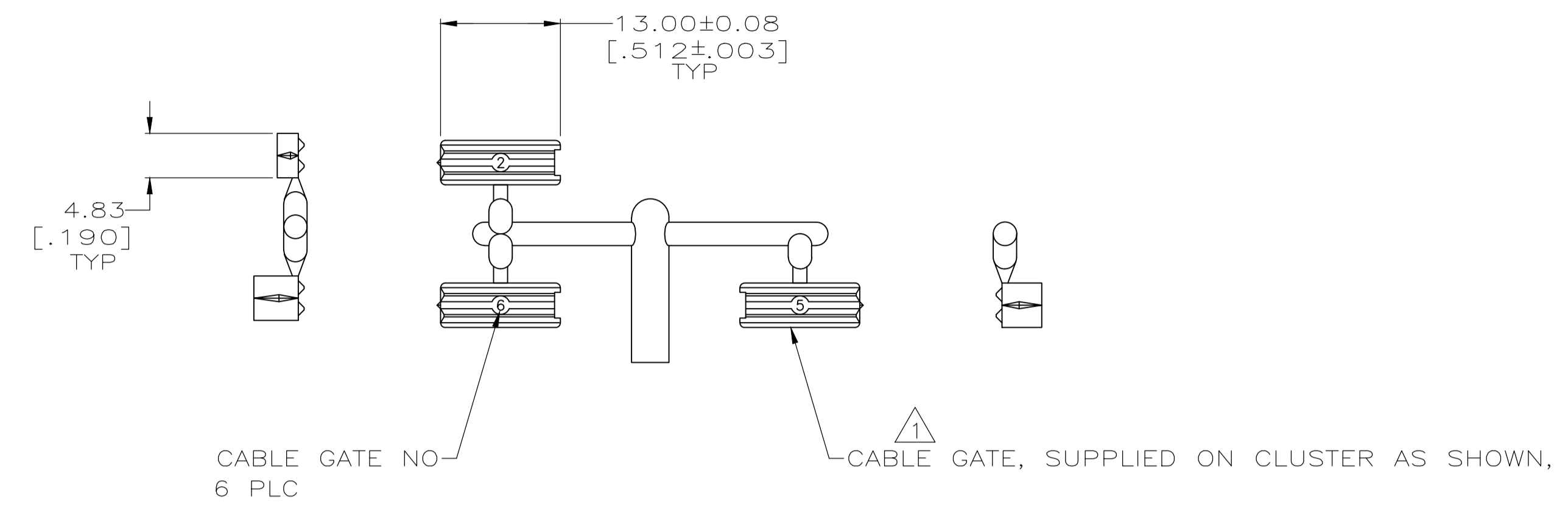
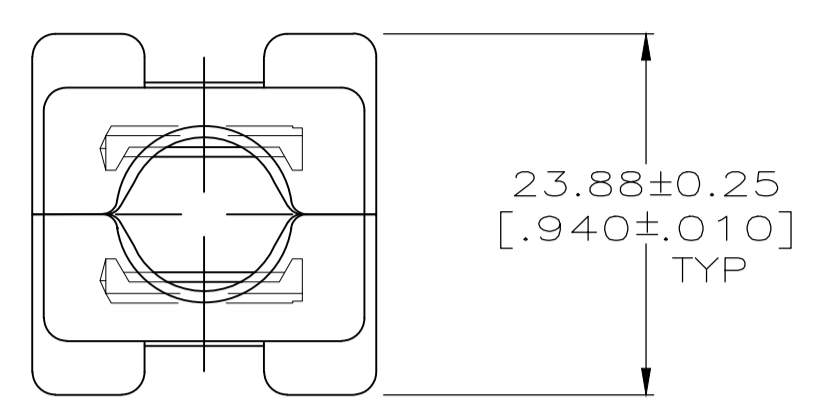
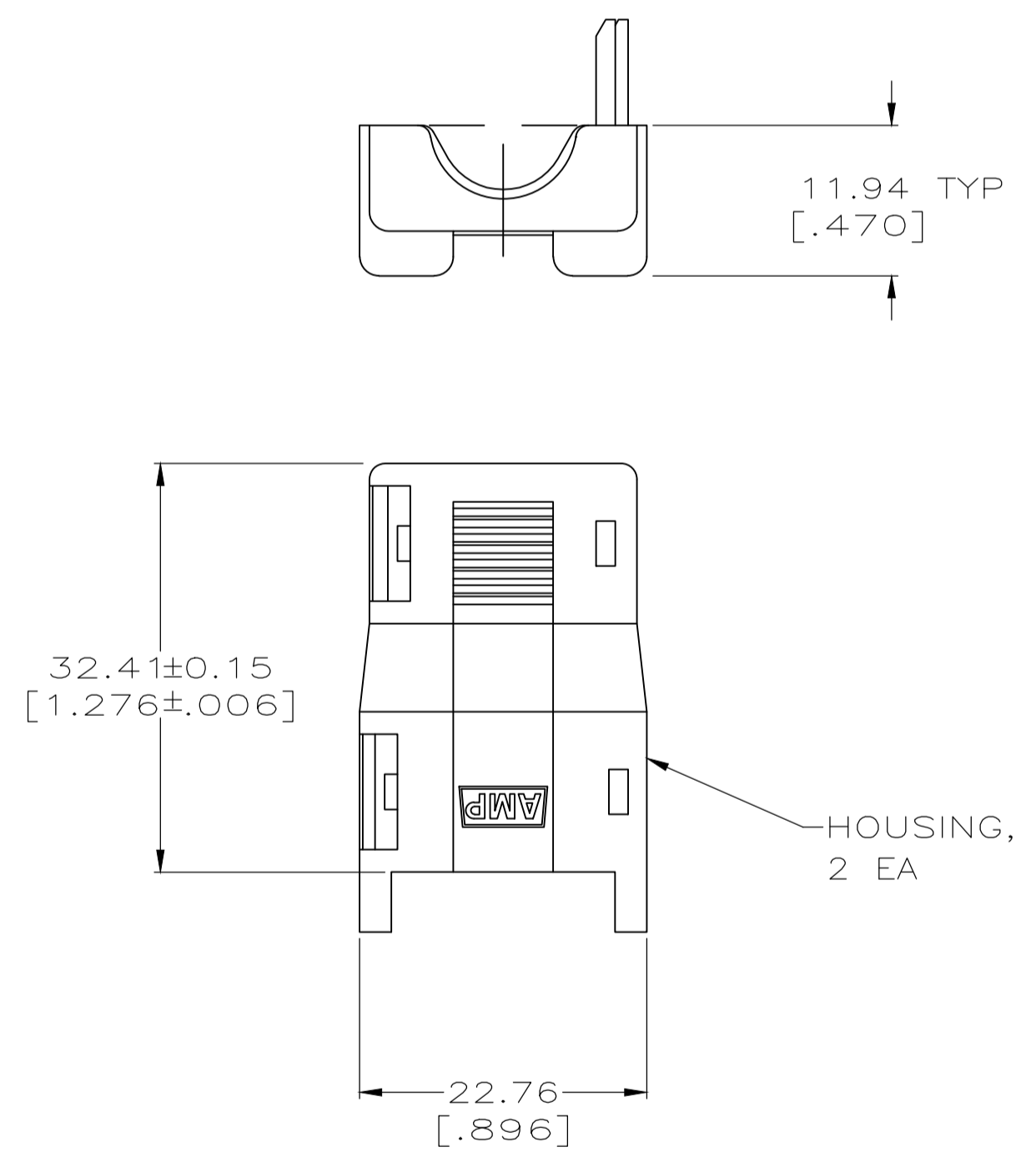
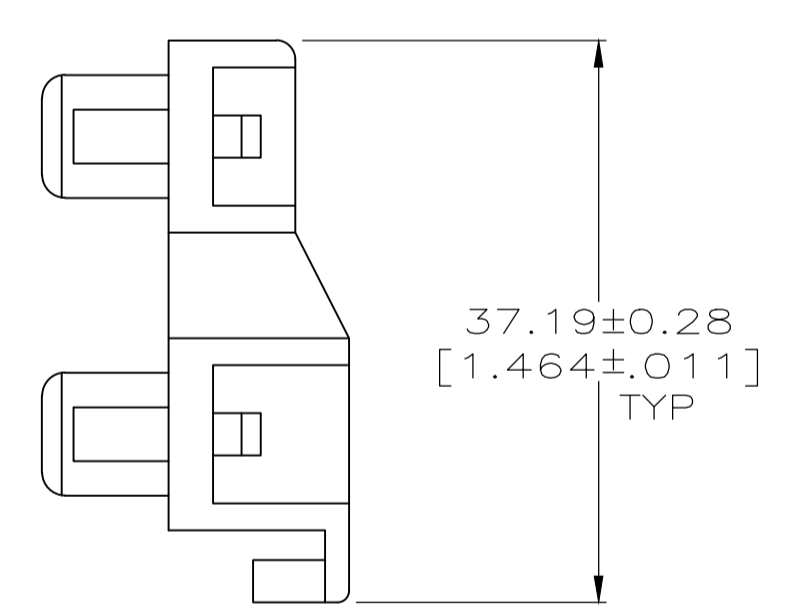


REVISIONS				
P	LTR	DESCRIPTION	DATE	OWN / APVD
E		REVISED PER ECO-20-002047	20FEB2020	RK / MZ



ASSEMBLED VIEW



- ⚠ A VARIETY OF CABLE GATES ARE PROVIDED TO ACCOMMODATE A VARIETY OF CUSTOMER CABLE SIZES.
- ⚠ PLUG SHOWN FOR REFERENCE ONLY. STRAIN RELIEF CAN BE USED ON EITHER PLUG OR RECEPTACLE.
- ⚠ HOUSING MATERIAL: PA66, BLACK, UL 94 V-0 RATED.

207601-1
PART NUMBER

THIS DRAWING IS A CONTROLLED DOCUMENT.		DIN J. McCLINTON 1-27-92		R. STONE 1-29-92		TE Connectivity																													
DIMENSIONS: INCHES		TOLERANCES UNLESS OTHERWISE SPECIFIED:		PRODUCT SPEC		NAME																													
<table border="1"> <tr><td>0. PLC</td><td>± .005</td></tr> <tr><td>1. PLC</td><td>± .005</td></tr> <tr><td>2. PLC</td><td>± .01</td></tr> <tr><td>3. PLC</td><td>± .015</td></tr> <tr><td>4. PLC</td><td>± .01</td></tr> <tr><td>ANGLES</td><td>± .005</td></tr> </table>		0. PLC	± .005	1. PLC	± .005	2. PLC	± .01	3. PLC	± .015	4. PLC	± .01	ANGLES	± .005	<table border="1"> <tr><td>APVD</td><td>-</td></tr> <tr><td>NAME</td><td>-</td></tr> <tr><td>PRODUCT SPEC</td><td>108-10033</td></tr> <tr><td>APPLICATION SPEC</td><td>-</td></tr> </table>		APVD	-	NAME	-	PRODUCT SPEC	108-10033	APPLICATION SPEC	-	<table border="1"> <tr><td>SIZE</td><td>CAGE CODE</td><td>DRAWING NO</td><td>RESTRICTED TO</td></tr> <tr><td>A1</td><td>00779</td><td>207601</td><td>-</td></tr> </table>		SIZE	CAGE CODE	DRAWING NO	RESTRICTED TO	A1	00779	207601	-	STRAIN RELIEF KIT, UNASSEMBLED, 9 POSITION, METRIMATE	
0. PLC	± .005																																		
1. PLC	± .005																																		
2. PLC	± .01																																		
3. PLC	± .015																																		
4. PLC	± .01																																		
ANGLES	± .005																																		
APVD	-																																		
NAME	-																																		
PRODUCT SPEC	108-10033																																		
APPLICATION SPEC	-																																		
SIZE	CAGE CODE	DRAWING NO	RESTRICTED TO																																
A1	00779	207601	-																																
MATERIAL		FINISH		WEIGHT		CUSTOMER DRAWING																													
PA66		-		-		SCALE 2:1 SHEET 1 OF 1 REV E																													