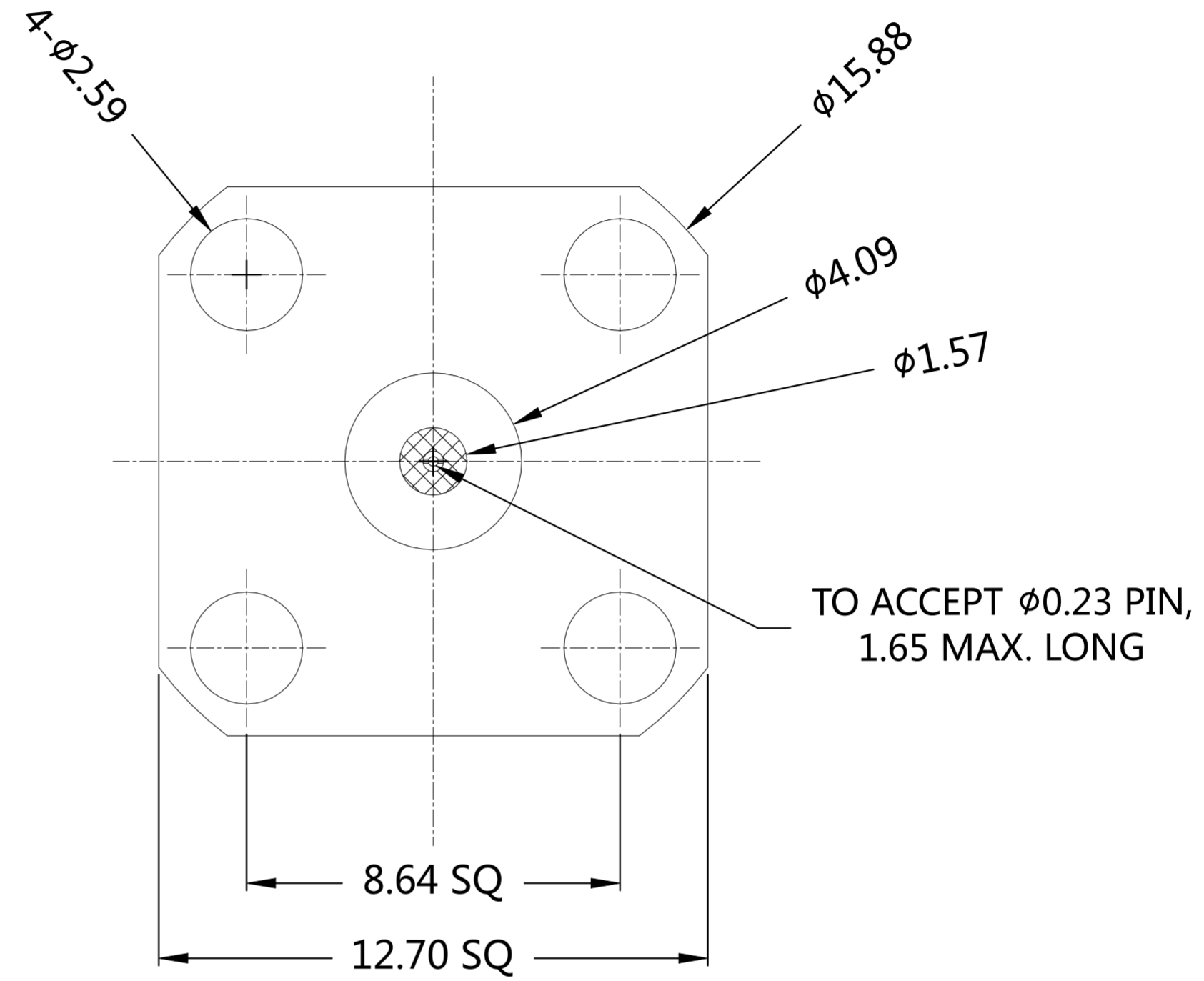
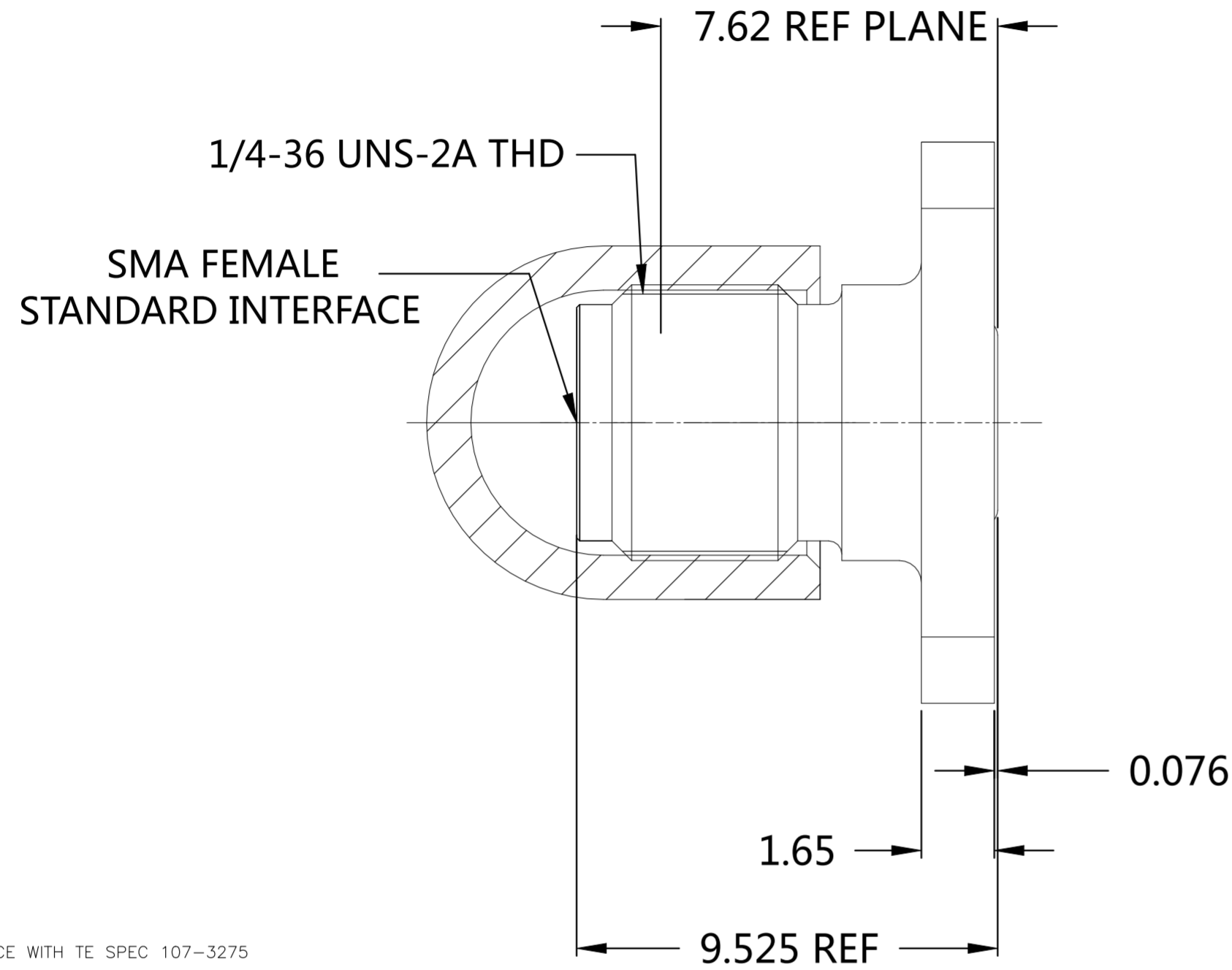


REVISIONS					
P	LTR	DESCRIPTION	DATE	DWN	APVD
A		REVISED PER ECN-21-101691	26MAR2021	ED	WH



NOTES:

- 1 PACK IN ACCORDANCE WITH TE SPEC 107-3275
- 2 ALL DIMENSIONS ARE NOMINAL FOR REFERENCE ONLY UNLESS OTHERWISE STATED
- 3 GOLD PLATING 0.762um MIN OVER NIKEL PLATING 1.27um MIN OVER COPPER PLATING 1.27um MIN

ELECTRICAL	MECHANICAL	ENVIRONMENTAL
Impedance (Ohm) _50	Interface Dimension MIL-STD-348B Fig. _310-2	TEMPERATURE RANGE -65°C TO + 165°C
Frequency Range (GHz) _DC to 27GHz	Recommended Coupling Torque _7 to 10 In-Lbs	THERMAL SHOCK _MIL-STD-202, METH.107, COND.B
Voltage Rating (Peak) @ Sea Level _335 V RMS	Force to Engage and Disengage (In/Lbs) _2.0 MAX	CORROSION _MIL-STD-202, METH.101, COND.B
Insulation Resistance (MIN.) _5000 M ohms	Center Contact Captivation Axial (Lbs) _6.0 Radial (In/Oz) _N/A	VIBRATION _MIL-STD-202, METH.204, COND.D
Contact Resistance (Milliohms MAX) Center Contact _3.0 Outer Contact _2.0	Cable Retention Axial (Lbs) _N/A	SHOCK _MIL-STD-202, METH.213, COND.I
Dielectric Withstand Voltage: _750 V RMS Max	Mating cycles _500 cycles	MOISTURE RESISTANCE _MIL-STD-202, METH.106,
Insertion Loss : _0.1*SQRT(F) dB		ROHS _COMPLIANT
VSWR: _1.20 MAX(DC-27GHz)		
RF leakage: _N/A		
3rd Intermodulation: _N/A		

QUANTITY	PER ASSY	PARTS LIST
1	/	PVC/SILICONE DUST CAP 4
1	/	PTFE INSULATOR 3
1	3	BeCu CENTER CONTACT 2
1		PASSIVATION STAINLESS STEEL BODY 1
2081891-1		PLATING MATERIAL DESCRIPTION ITEM

THIS DRAWING IS A CONTROLLED DOCUMENT.

DWN	ED	29DEC2020
CHK	RZ	29DEC2020
APVD	WH	29DEC2020

TE Connectivity

EP-SMA,JACK,STRAIGHT,27GHz,
4 HOLE FLANGE,.23 DIA PIN

NAME	108-160152
PRODUCT SPEC	
APPLICATION SPEC	

SIZE	A2	CAGE CODE	00779	DRAWING NO	C=2081891	RESTRICTED TO	-
WEIGHT	2.3g	SCALE	10:1	SHEET	1 of 1	REV	A

CUSTOMER DRAWING