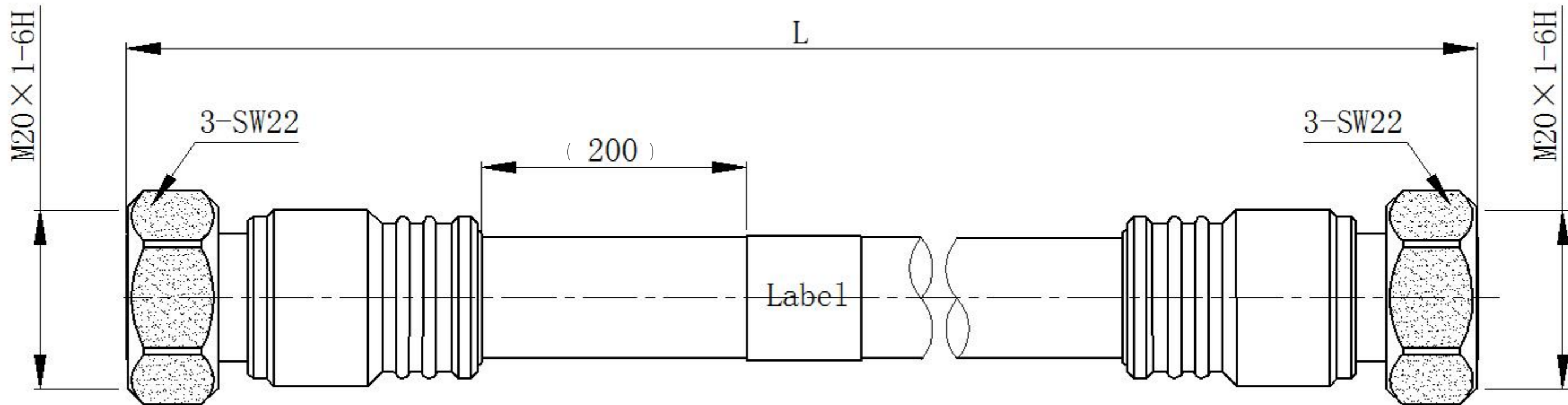


| ELECTRICAL | MECHANICAL | ENVIRONMENTAL |
|---|---|--|
| IMPEDANCE <u>50 Ohm</u> FREQUENCY RANGE <u>DC to 6GHz</u> DIELECTRIC WITHSTAND VOLTAGE: <u>MAX. 2500 V RMS</u> INSULATION RESISTANCE: <u>MIN. 5000 Mohms</u> PIM3: <u>Max. -160dBc @2x20W(43dBm),</u> <u>and 900MHz, 1800MHz, 2100MHz</u> | MATING CYCLES: <u>MIN. 100 cycles</u> RECOMMEND TORQUE: <u>5Nm</u> BENDING RADIUS: <u>SINGLE 17mm</u> <u>REPEATED 55mm</u> CABLE PULLING: <u>MIN. 500N</u> CABLE TORSION: <u>MIN. 5N.m</u> | TEMPERATURE RANGE: <u>-40°~+85°C</u> SALT SPRAY: <u>96H</u> INTERFACE SEAL: <u>IP68(1m, 24h) MATED</u> |

| P | LTR | DESCRIPTION | DATE | DWN | APVD |
|---|-----|-------------|------|-----|------|
| | | | | | |



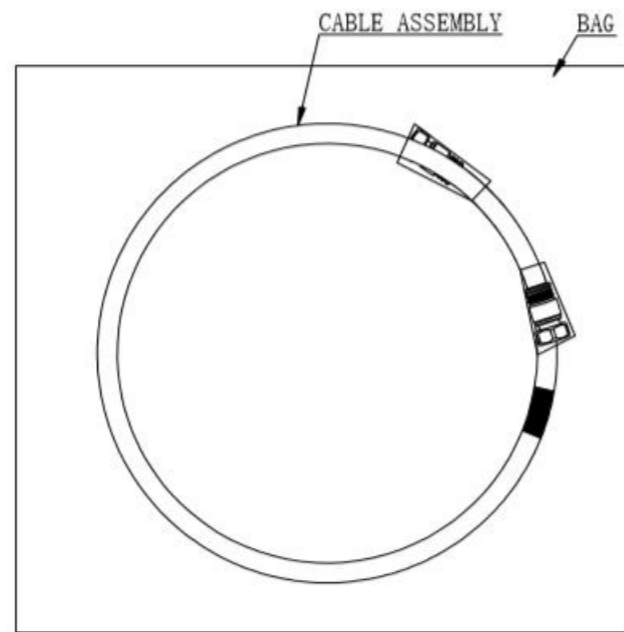
| P/N | "L" | INSERTION LOSS | VSWR |
|-----------|-----------|--|--|
| 2081975-1 | 1000+/-10 | $\leq 0.39\text{dB}@0-3\text{GHZ}$ $\leq 0.59\text{dB}@3-6\text{GHZ}$ | $\leq 1.15@0-3\text{GHZ}$ $\leq 1.20@0-6\text{GHZ}$ |

| ITEM | BOM | PART NAME | MATERIAL | PLATING |
|------|----------------|---|-----------------|--------------|
| 1 | CONNECTOR (x2) | CENTER CONTACT | BRASS | SILVER |
| | | OUTER CONTACT | BRASS | WHITE BRONZE |
| | | INSULATOR | PTFE | |
| | | O-RING | SILICONE RUBBER | |
| | | OTHERS | BRASS | NICKEL |
| 2 | CABLE | 1/2" SUPERFLEX CABLE WITH BLACK PE JACKET | | |
| 3 | MOLDING | BLACK PE | | |
| 4 | LABEL | WRAP STICK TYPE | | |

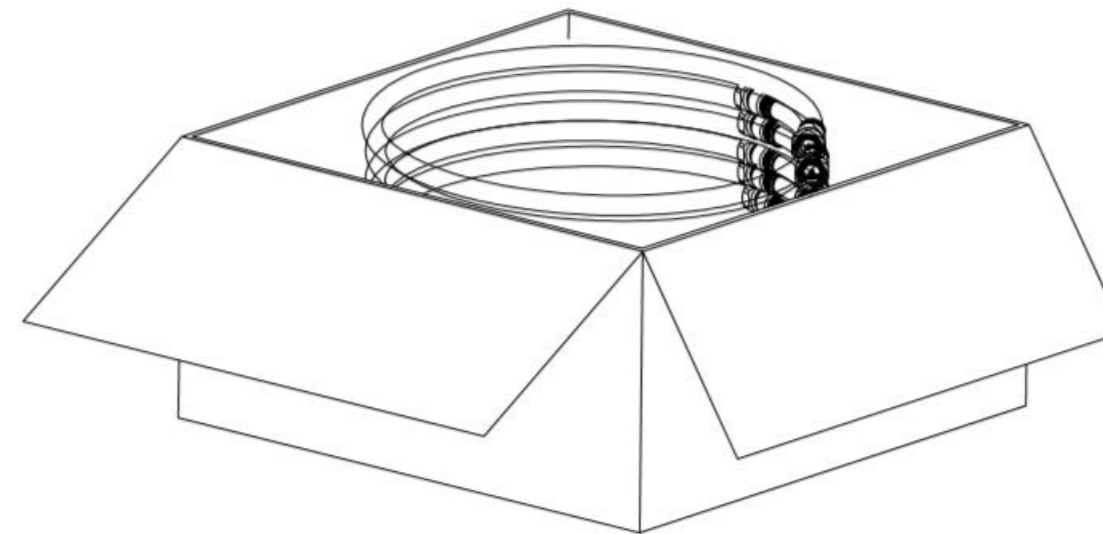
| | | | | | |
|--|--|------------------|-----------|------------------------------------|--|
| THIS DRAWING IS A CONTROLLED DOCUMENT. | | DWN JZ | 10MAR2020 | TE Connectivity | |
| DIMENSIONS: mm | | CHK RZ | 10MAR2020 | | |
| | | APVD RS | 10MAR2020 | NAME CABLE ASSEMBLY | |
| TOLERANCES UNLESS OTHERWISE SPECIFIED: | | PRODUCT SPEC | | 4.3-10 STR PLUG TO 4.3-10 STR PLUG | |
| 0 PLC ±0.3 | | 108-115175 | | WITH 1/2 SUPERFLEX CABLE | |
| 1 PLC ±0.2 | | APPLICATION SPEC | | SIZE | |
| 2 PLC ±0.2 | | - | | A3 | |
| 3 PLC ±0.2 | | WEIGHT | | CAGE CODE | |
| 4 PLC ±0.2 | | 215g | | 00779 | |
| ANGLES ± | | DRAWING NO | | C=2081975 | |
| FINISH | | RESTRICTED TO | | - | |
| SEE TABLE | | CUSTOMER DRAWING | | SCALE 1:1 | |
| - | | SHEET 1 OF 2 | | REV A | |

REVISIONS

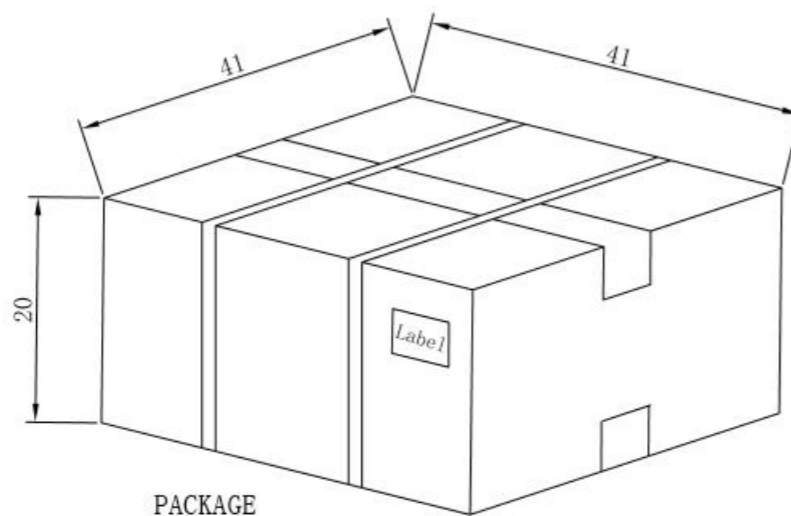
| P | LTR | DESCRIPTION | DATE | DWN | APVD |
|---|-----|-------------|------|-----|------|
| | | | | | |



ONE BAG FOR EACH CABLE ASSEMBLY



OUTER BOX (22PCS/BOX)



PACKAGE

(BOX SIZE ONLY FOR REFERENCE, UNIT: CM)

| | | | | | | | | | | | | | | | | | |
|---|------|-----------------------|-----------|-------------------------|--------------------|-------|------|-------|------|-------|------|--------|---|----------------------------|--|--|--|
| THIS DRAWING IS A CONTROLLED DOCUMENT. | | DWN JZ | 10MAR2020 | | | | | | | | | | | | | | |
| DIMENSIONS: mm | | CHK RZ | 10MAR2020 | | | | | | | | | | | | | | |
| TOLERANCES UNLESS OTHERWISE SPECIFIED: | | APVD RS | 10MAR2020 | NAME CABLE ASSEMBLY | | | | | | | | | | | | | |
| <table border="0"> <tr><td>0 PLC</td><td>±0.3</td></tr> <tr><td>1 PLC</td><td>±0.2</td></tr> <tr><td>2 PLC</td><td>±0.2</td></tr> <tr><td>3 PLC</td><td>±0.2</td></tr> <tr><td>4 PLC</td><td>±0.2</td></tr> <tr><td>ANGLES</td><td>±</td></tr> </table> | | 0 PLC | ±0.3 | 1 PLC | ±0.2 | 2 PLC | ±0.2 | 3 PLC | ±0.2 | 4 PLC | ±0.2 | ANGLES | ± | PRODUCT SPEC 108-115175 | | 4.3-10 STR PLUG TO 4.3-10 STR PLUG WITH 1/2 SUPERFLEX CABLE | |
| 0 PLC | ±0.3 | | | | | | | | | | | | | | | | |
| 1 PLC | ±0.2 | | | | | | | | | | | | | | | | |
| 2 PLC | ±0.2 | | | | | | | | | | | | | | | | |
| 3 PLC | ±0.2 | | | | | | | | | | | | | | | | |
| 4 PLC | ±0.2 | | | | | | | | | | | | | | | | |
| ANGLES | ± | | | | | | | | | | | | | | | | |
| MATERIAL SEE TABLE | | APPLICATION SPEC - | | SIZE A3 | CAGE CODE 00779 | | | | | | | | | | | | |
| FINISH SEE TABLE | | WEIGHT 230g | | DRAWING NO C-2081975 | RESTRICTED TO - | | | | | | | | | | | | |
| - | | CUSTOMER DRAWING | | SCALE 1:1 | SHEET 2 OF 2 | | | | | | | | | | | | |
| - | | - | | REV A | | | | | | | | | | | | | |