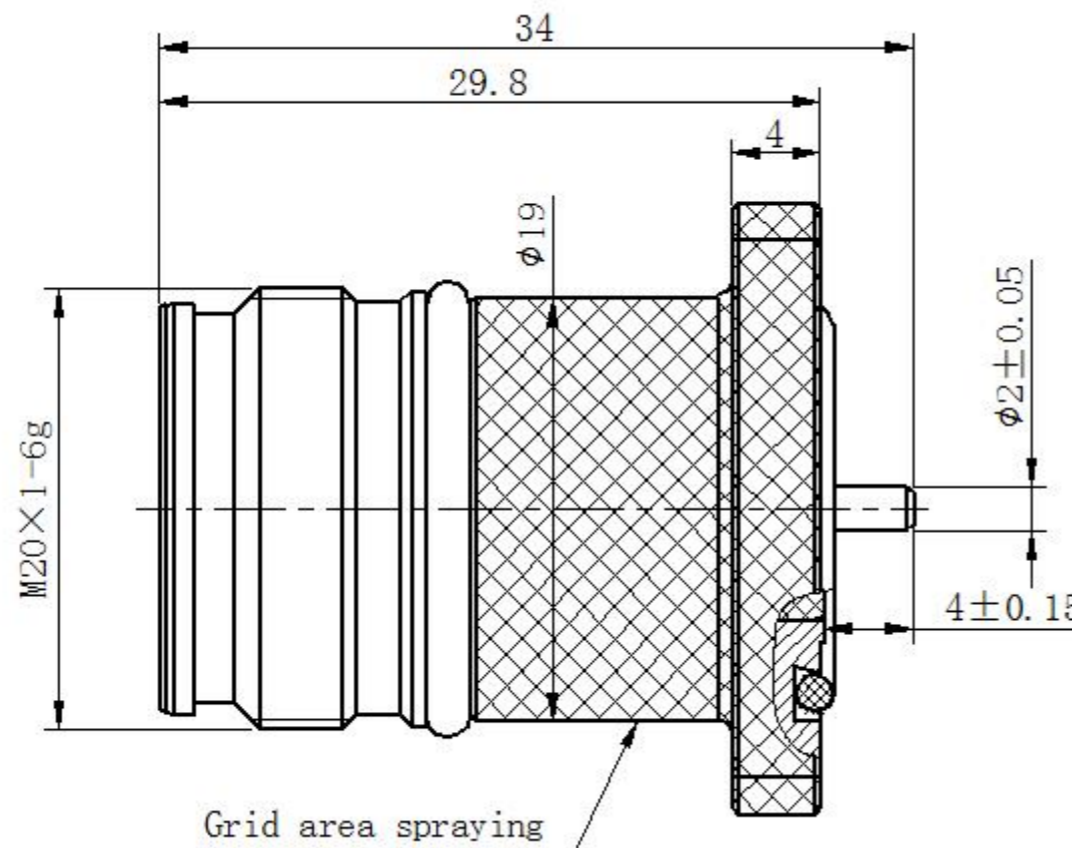
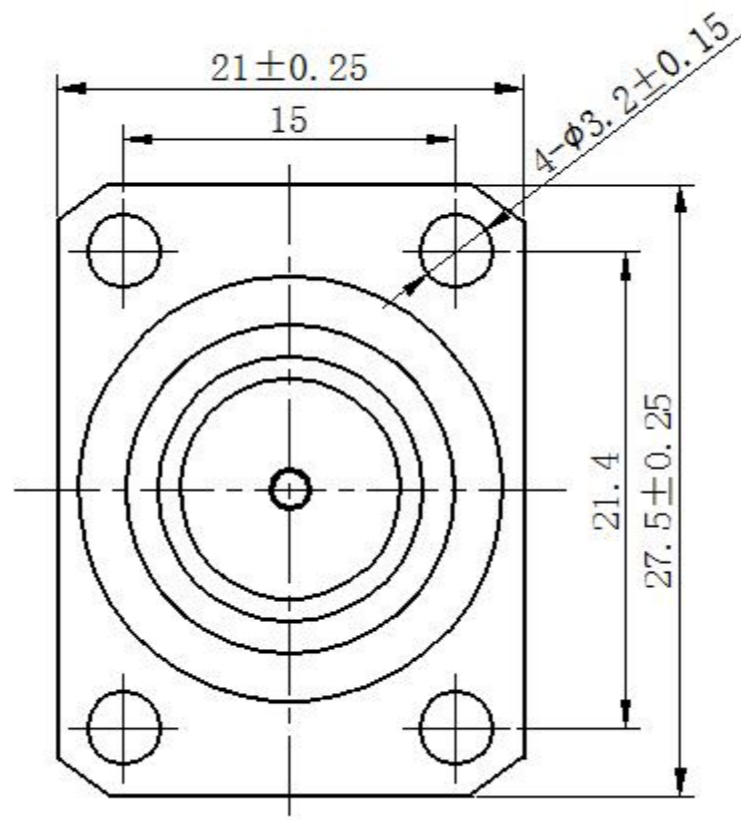


| ELECTRICAL | |
|-------------------------------|---|
| IMPEDANCE | 50 Ohm |
| FREQUENCY RANGE | DC to 6GHz |
| INSERTION LOSS: | Max. 0.08dB@0-3GHz Max. 0.22dB@0-3GHz |
| VSWR: | Max. 1.15@0-3GHz Max. 1.35@3-6GHz |
| DIELECTRIC WITHSTAND VOLTAGE: | Max. 2500 V RMS |
| INSULATION RESISTANCE | Min. 5000 Mohms |
| PIM3: | Max. -16.3dBc @2x20W, 900MHz, 1800MHz, 2100MHz |

| MECHANICAL | |
|-------------------|-----------------|
| MATING CYCLES: | MIN. 100 cycles |
| RECOMMEND TORQUE: | 5Nm |

| ENVIRONMENTAL | |
|--------------------|--|
| TEMPERATURE RANGE: | -40°~+85°C |
| SALT SPRAY: | 96H (720H FOR SPRAY AREA) |
| INTERFACE SEAL: | IP68(1m, 24h) MATED |
| PANEL SEAL: | IP67(1m, 0.5h) |
| HERMETIC SEAL: | PRESSURE LEAKAGE 0.25KPa MAX. (52.3KPa/30s) |

| P | LTR | DESCRIPTION | DATE | DWN | APVD |
|---|-----|-------------|------|-----|------|
| | | | | | |



NOTE:

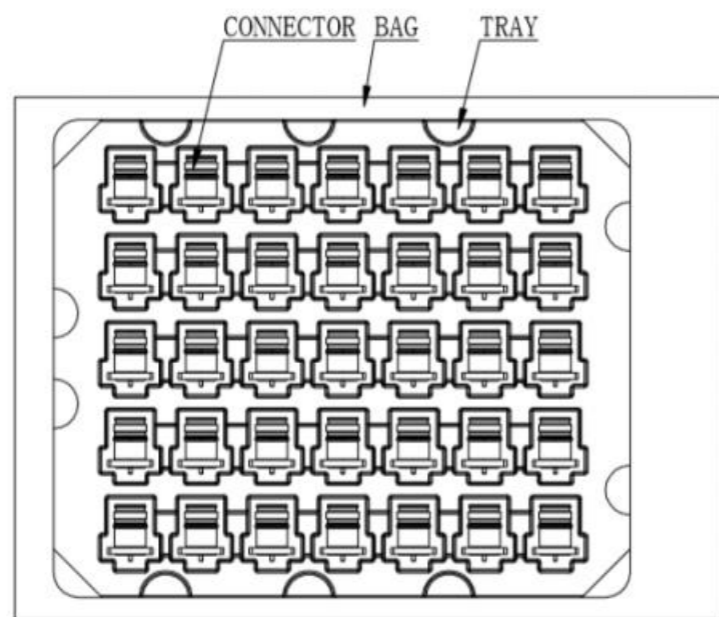
1. INTERFACE ACCORDING TO IEC 61169-54

| P/N | PART NAME | MATERIAL | PLATING |
|-----------|----------------|-----------------|--------------|
| 2081977-1 | CENTER CONTACT | BRONZE | SILVER |
| | OUTER CONTACT | BRONZE | SILVER |
| | BODY | BRASS | WHITE BRONZE |
| | INSULATOR | PTFE | |
| | O-RING | SILICONE RUBBER | |

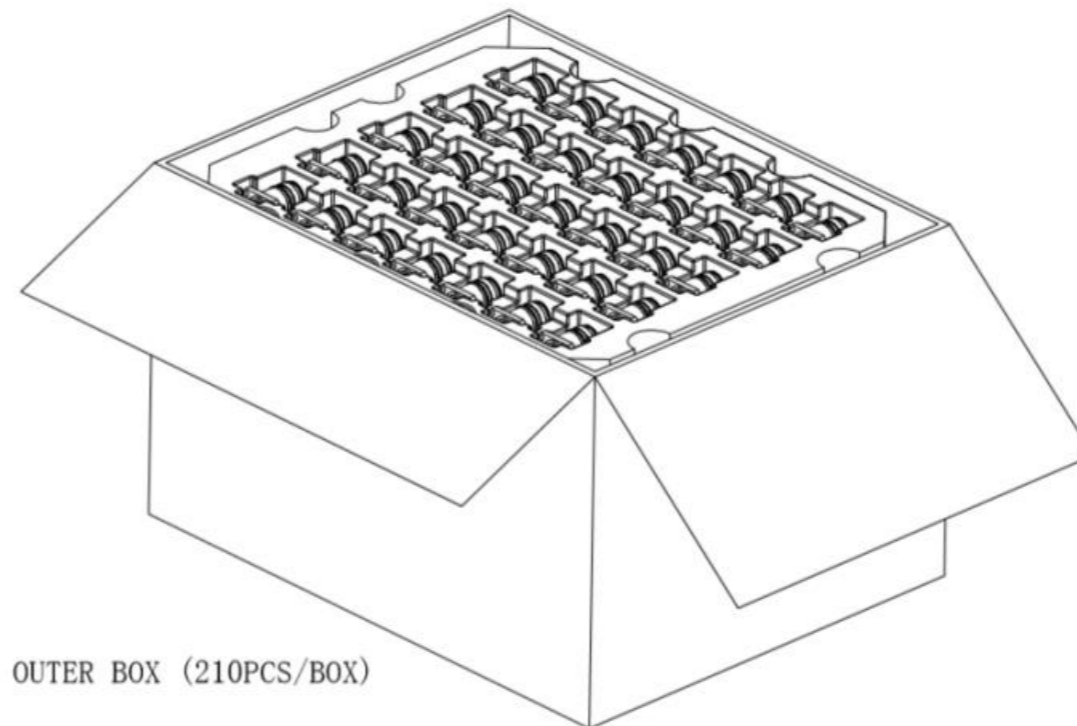
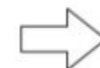
| | | | | | | | | | | | | | | | | | | |
|---|-----------|--------|-----------|------------------|---------------------------|------|-------|-----------|--------|------------|-----------|---------------|--------|---|--------------|------------|--|------|
| THIS DRAWING IS A CONTROLLED DOCUMENT. | | DWN | JZ | 10MAR2020 | TE TE Connectivity | | | | | | | | | | | | | |
| DIMENSIONS: mm | | CHK | RZ | 10MAR2020 | | | | | | | | | | | | | | |
| TOLERANCES UNLESS OTHERWISE SPECIFIED: | | APVD | RS | 10MAR2020 | | | | | | | | | | | | | | |
| <table border="0"> <tr><td>0 PLC</td><td>±0.3</td></tr> <tr><td>1 PLC</td><td>±0.2</td></tr> <tr><td>2 PLC</td><td>±0.2</td></tr> <tr><td>3 PLC</td><td>±0.2</td></tr> <tr><td>4 PLC</td><td>±0.2</td></tr> <tr><td>ANGLES</td><td>±</td></tr> </table> | | 0 PLC | ±0.3 | 1 PLC | | ±0.2 | 2 PLC | ±0.2 | 3 PLC | ±0.2 | 4 PLC | ±0.2 | ANGLES | ± | PRODUCT SPEC | 108-115175 | | NAME |
| 0 PLC | ±0.3 | | | | | | | | | | | | | | | | | |
| 1 PLC | ±0.2 | | | | | | | | | | | | | | | | | |
| 2 PLC | ±0.2 | | | | | | | | | | | | | | | | | |
| 3 PLC | ±0.2 | | | | | | | | | | | | | | | | | |
| 4 PLC | ±0.2 | | | | | | | | | | | | | | | | | |
| ANGLES | ± | | | | | | | | | | | | | | | | | |
| MATERIAL | SEE TABLE | FINISH | SEE TABLE | APPLICATION SPEC | - | SIZE | A3 | CAGE CODE | 00779 | DRAWING NO | ©-2081977 | RESTRICTED TO | - | | | | | |
| CUSTOMER DRAWING | | WEIGHT | 48.5g | | SCALE | 1:1 | | SHEET | 1 OF 2 | | REV | A | | | | | | |

REVISIONS

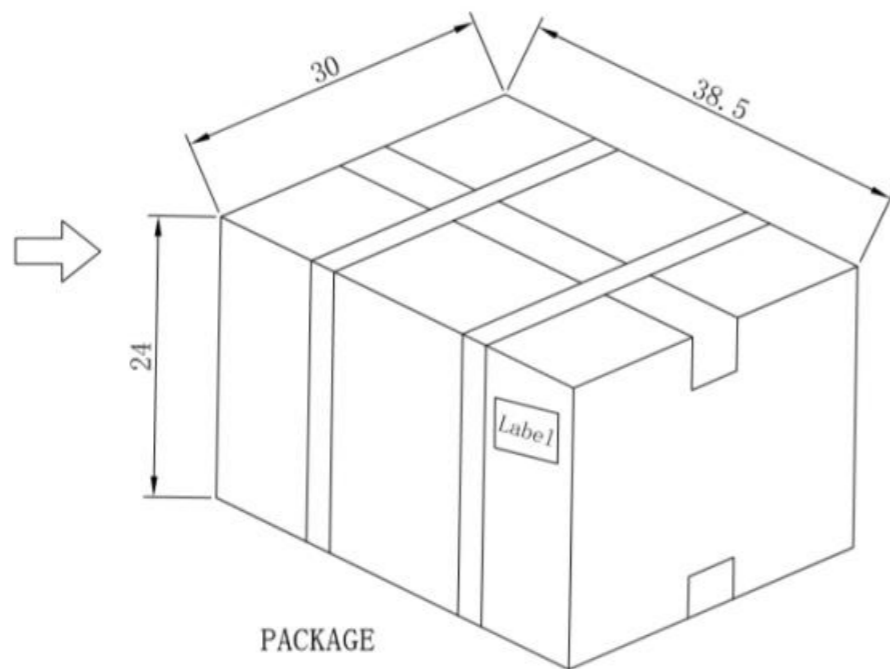
| P | LTR | DESCRIPTION | DATE | DWN | APVD |
|---|-----|-------------|------|-----|------|
| | | | | | |



TRAY PACKAGE



OUTER BOX (210PCS/BOX)



PACKAGE

(BOX SIZE ONLY FOR REFERENCE, UNIT: CM)

| | | | | | |
|--|--|------------------|--------------|--|--------------------------------|
| THIS DRAWING IS A CONTROLLED DOCUMENT. | | DWN JZ | 10MAR2020 | TE Connectivity | |
| DIMENSIONS: mm | | CHK RZ | 10MAR2020 | | |
| TOLERANCES UNLESS OTHERWISE SPECIFIED: | | APVD RS | 10MAR2020 | NAME 4.3-10 STRAIGHT JACK RECEPTACLE 4 HOLES SQUARE FLANGE, SPRAY WITH O-RING | |
| | | PRODUCT SPEC | 108-115175 | SIZE A3 | |
| MATERIAL SEE TABLE | | APPLICATION SPEC | - | CAGE CODE | 00779 |
| FINISH SEE TABLE | | WEIGHT | 48.5g | DRAWING NO | C-2081977 |
| - | | CUSTOMER DRAWING | SCALE 1:1 | SHEET 2 OF 2 | RESTRICTED TO - REV A |