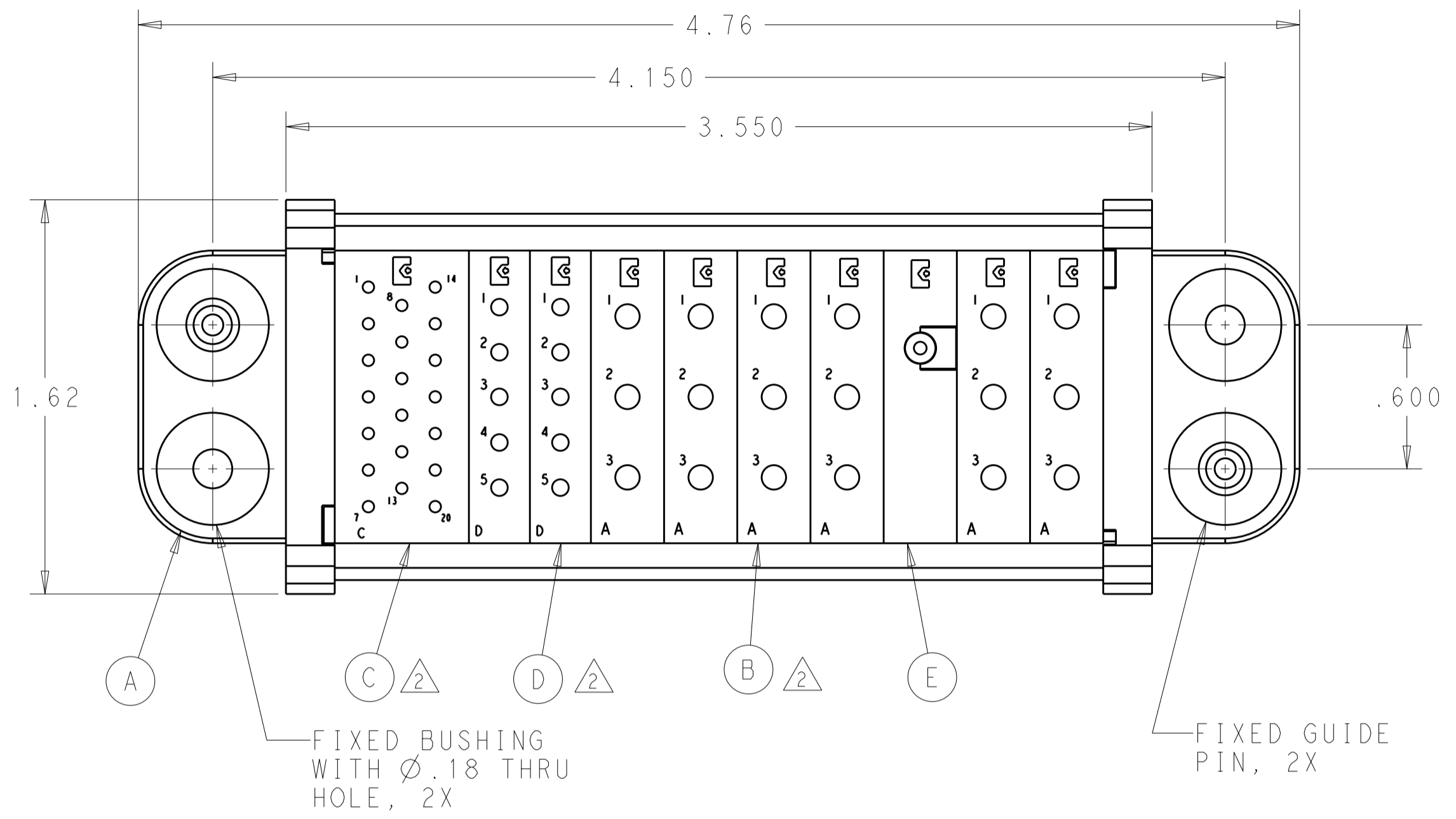


THIS DRAWING IS UNPUBLISHED. RELEASED FOR PUBLICATION 20  
 © COPYRIGHT 20 BY TYCO ELECTRONICS CORPORATION. ALL INTERNATIONAL RIGHTS RESERVED.

LOC	DIST	REVISIONS					
GP	00	P	LTR	DESCRIPTION	DATE	DWN	APVD
			A	RELEASED	27SEP2010	RG	DO

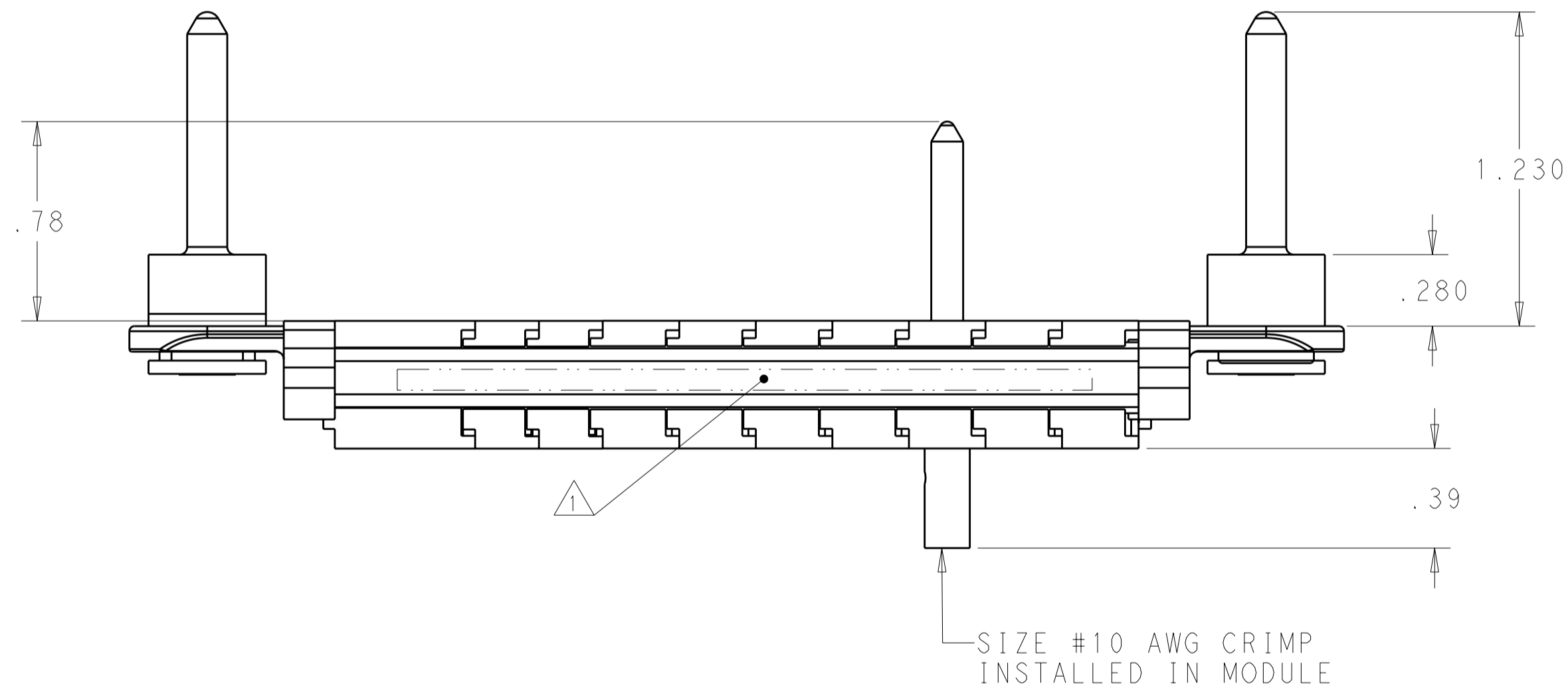


△ ITEMS PROVIDED TO THIS SPECIFICATION TO BE PERMANENTLY IDENTIFIED PER THE FOLLOWING IDENTIFIER:

YEAR 1 WEEK 1  
 TYCO ELECTRONICS P/N DATE CODE (e.g. 0212)  
 XXXXXXXX-X XXXX

- △ 2 MODULES NOTED ARE FOR CRIMP REMOVABLE STYLE CONTACTS. ITEMS F, G AND H WILL BE PACKAGED AND SHIPPED LOOSE WITH THE CONNECTOR ASSEMBLY.
- △ 3 MOUNTING FLANGE BUSHING ACCEPTS 6/32 SCREW (.156 DIA. CLEARANCE HOLE, FLOAT MOUNT) OR 8/32 SCREW (.173 DIA. CLEARANCE HOLE, FIXED MOUNT), USER SUPPLIED.

4. CONNECTOR MATES WITH P/N 2085583-1



20	1650155-1	PIN CONTACTS, CRIMP, SIZE No. 20	H
10	1766194-1	PIN CONTACTS, CRIMP, SIZE No. 16	G
18	1766193-1	PIN CONTACTS, CRIMP, SIZE No. 12	F
1	6648508-1	MODULE "K"	E
2	1648464-1	MODULE "D"	D
1	1648463-1	MODULE "C"	C
6	1648461-1	MODULE "A"	B
2	6648251-1	END CAP	A
-1	PART NO.	DESCRIPTION	ITEM NO.

THIS DRAWING IS A CONTROLLED DOCUMENT FOR TYCO ELECTRONICS CORPORATION. IT IS SUBJECT TO CHANGE AND THE CONTROLLING ENGINEERING ORGANIZATION SHOULD BE CONTACTED FOR THE LATEST REVISION.		DWN R.GRZYBOWSKI 23SEP2010 CHK D.ORRIS 23SEP2010 APVD D.ORRIS 23SEP2010	Tyco Electronics Corporation Harrisburg, PA 17105-3608
DIMENSIONS: INCHES 	TOLERANCES UNLESS OTHERWISE SPECIFIED: 0 PLC ± 1 PLC ±.01 2 PLC ±.01 3 PLC ±.010 4 PLC ± ANGLES ± FINISH	PRODUCT SPEC - APPLICATION SPEC - WEIGHT -	NAME PIN CONNECTOR DOMINO WITH PANEL CUT-OUT SIZE A2 CAGE CODE 00779 DRAWING NO. C-2085582 RESTRICTED TO - SCALE 2:1 SHEET 1 OF 2 REV A
MATERIAL -		CUSTOMER DRAWING	

4

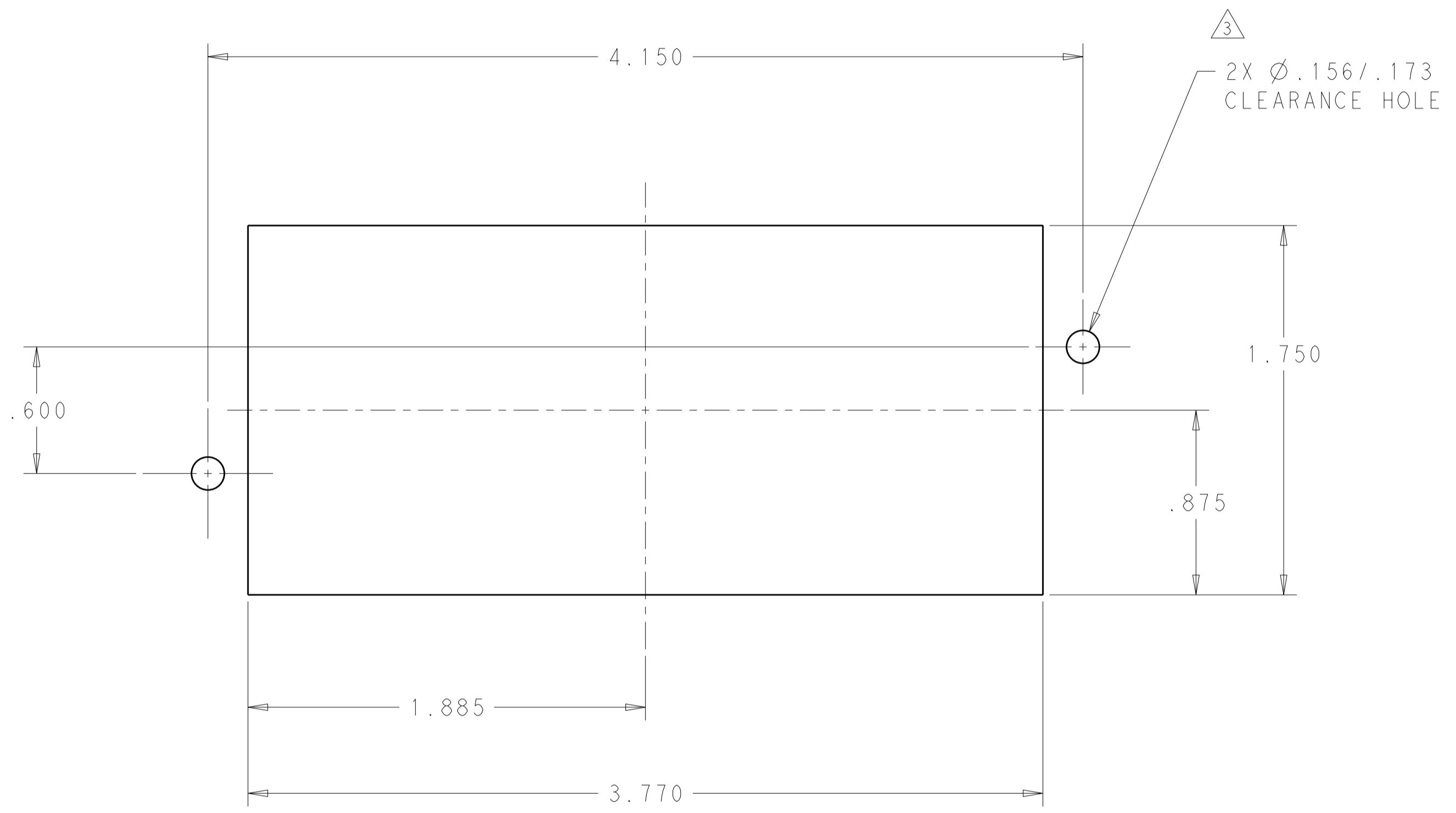
3

2

1

THIS DRAWING IS UNPUBLISHED. RELEASED FOR PUBLICATION 20  
 © COPYRIGHT 20 BY TYCO ELECTRONICS CORPORATION. ALL INTERNATIONAL RIGHTS RESERVED.

LOC	DIST	REVISIONS			
P	LTR	DESCRIPTION	DATE	DWN	APVD
GP	00	-	SEE SHEET 1	-	-



PANEL MOUNT CUT-OUT

<small>THIS DRAWING IS A CONTROLLED DOCUMENT FOR TYCO ELECTRONICS CORPORATION. IT IS SUBJECT TO CHANGE AND THE CONTROLLING ENGINEERING ORGANIZATION SHOULD BE CONTACTED FOR THE LATEST REVISION.</small>		DWN R. GRZYBOWSKI 23SEP2010 CHK D. ORRIS 23SEP2010 APVD D. ORRIS 23SEP2010	Tyco Electronics Corporation Harrisburg, PA 17105-3608
DIMENSIONS: INCHES	TOLERANCES UNLESS OTHERWISE SPECIFIED: 0 PLC ± 1 PLC ± 2 PLC ±.01 3 PLC ±.010 4 PLC ± ANGLES ± FINISH	PRODUCT SPEC APPLICATION SPEC WEIGHT	NAME PIN CONNECTOR DOMINO WITH PANEL CUT-OUT
MATERIAL	FINISH	CUSTOMER DRAWING	SIZE A200779 CAGE CODE C-2085582 DRAWING NO. 2085582 RESTRICTED TO
		SCALE 2:1	SHEET 2 OF 2 REV A