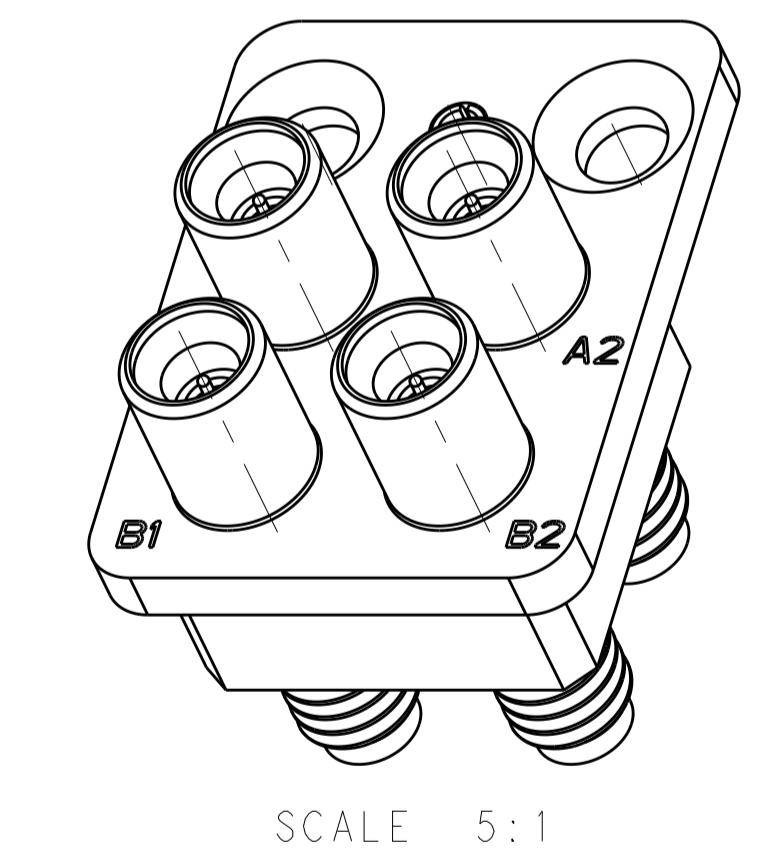
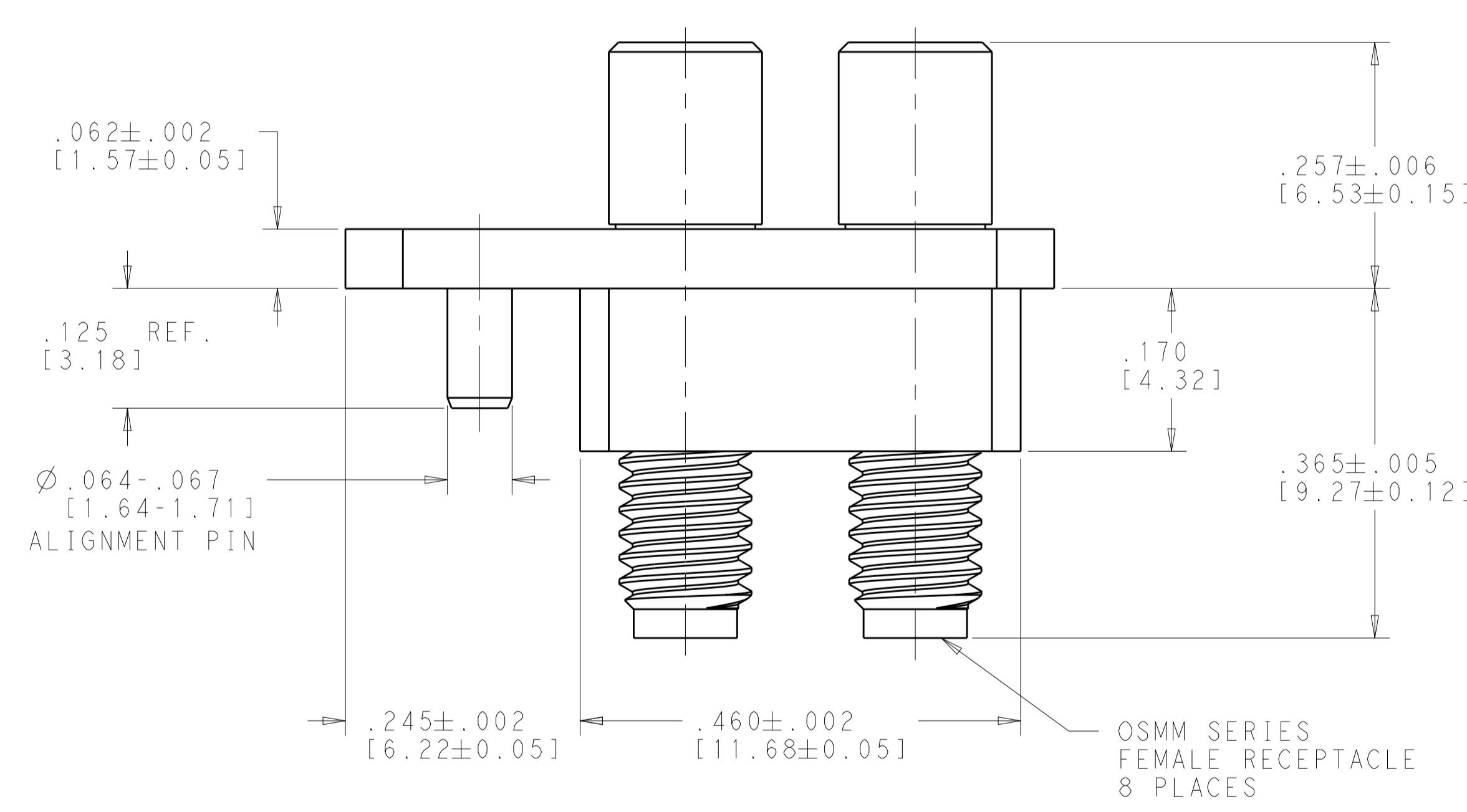
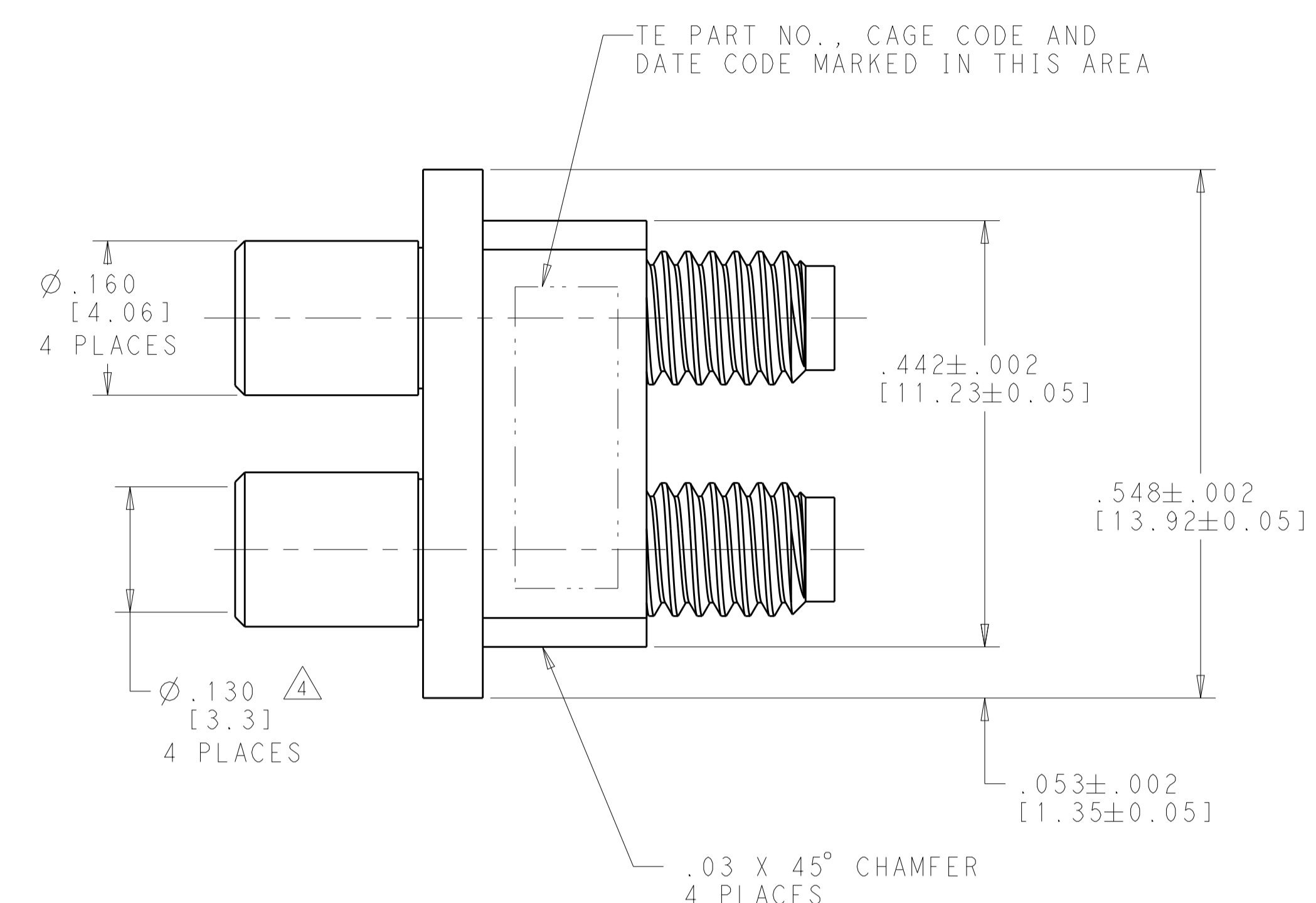
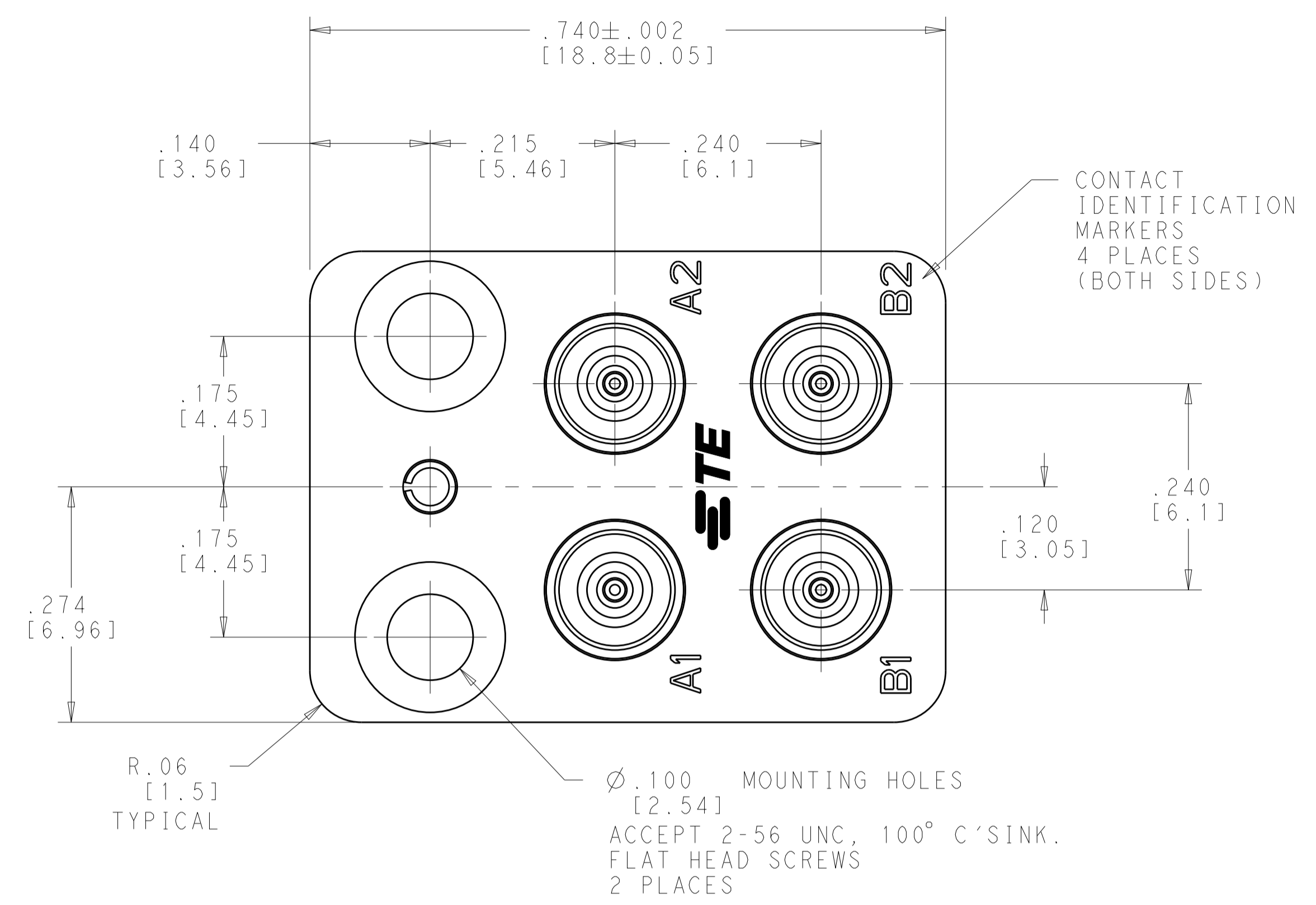


LOC		DIST		REVISIONS			
				REV	DATE	BY	CHK
				G	RELEASED PER ECO 11-025271	2-21-12	CT WM
				H	REVISED PER ECO-15-011822	24NOV2015	RS CT



- 1 MATERIAL:
SMOOTHBORE SMPM CONNECTOR BODY & CENTER CONTACT - BERYLLIUM COPPER,
ALLOY UNS C17300 CONDITION TDO4, PER ASTM B196
INSULATORS - TEFLON (PTFE) ROD, PER ASTM D 1710
MODULE BODY - STAINLESS STEEL, PER UNS 30300
SLOTTED SPRING PIN - NICKEL STAINLESS STEEL
- 2 FINISH:
MODULE BODY, CONNECTOR BODIES AND CENTER CONTACTS - GOLD PLATE OVER NICKEL
SLOTTED SPRING PIN - PASSIVATED
- 3 FINISH:
MODULE BODY, OSMM CONNECTOR & SLOTTED SPRING PIN - PASSIVATED
SMOOTHBORE SMPM CONNECTOR BODY & CENTER CONTACT - GOLD PLATED OVER NICKEL
- 4 SMPM MALE SMOOTH BORE INTERFACE PER MIL-STD-348, EXCEPT AS NOTED

	3	2101510-2
OBSOLETE	2	2101510-1
	SURFACE FINISH	PART NUMBER

THIS DRAWING IS A CONTROLLED DOCUMENT.		DWN S T Morley 19AUG2009	TE Connectivity											
DIMENSIONS: [INCHES(mm)]		CHK S T Morley 19AUG2009												
TOLERANCES UNLESS OTHERWISE SPECIFIED:		APVD S T Morley 19AUG2009	NAME 4 POSITION P.C.B. MOUNT R.F. MODULE SMPM SMOOTH BORE (M) TO OSMM (F) VITA 67, BACKPLANE											
<table border="1"> <tr> <td>0 PLC</td> <td>±</td> </tr> <tr> <td>1 PLC</td> <td>±</td> </tr> <tr> <td>2 PLC</td> <td>±</td> </tr> <tr> <td>3 PLC</td> <td>±.005 (0.13)</td> </tr> <tr> <td>4 PLC</td> <td>±</td> </tr> </table>		0 PLC	±	1 PLC	±	2 PLC	±	3 PLC	±.005 (0.13)	4 PLC	±	PRODUCT SPEC	SIZE A100779C=2101510	
0 PLC	±													
1 PLC	±													
2 PLC	±													
3 PLC	±.005 (0.13)													
4 PLC	±													
MATERIAL		FINISH	WEIGHT	RESTRICTED TO										
SEE TABLE		CUSTOMER DRAWING	SCALE 8:1	SHEET 1 OF 1 REV H										