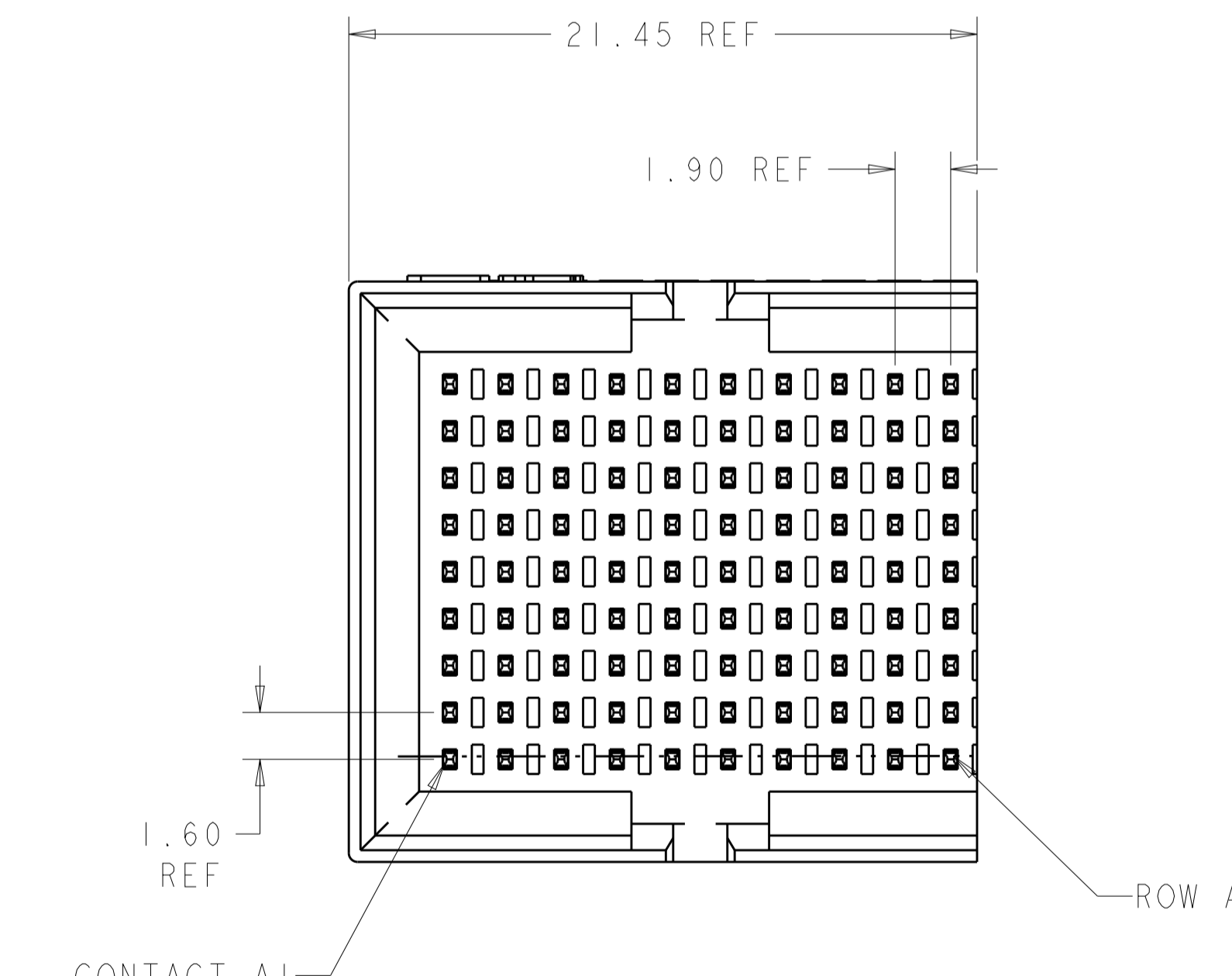
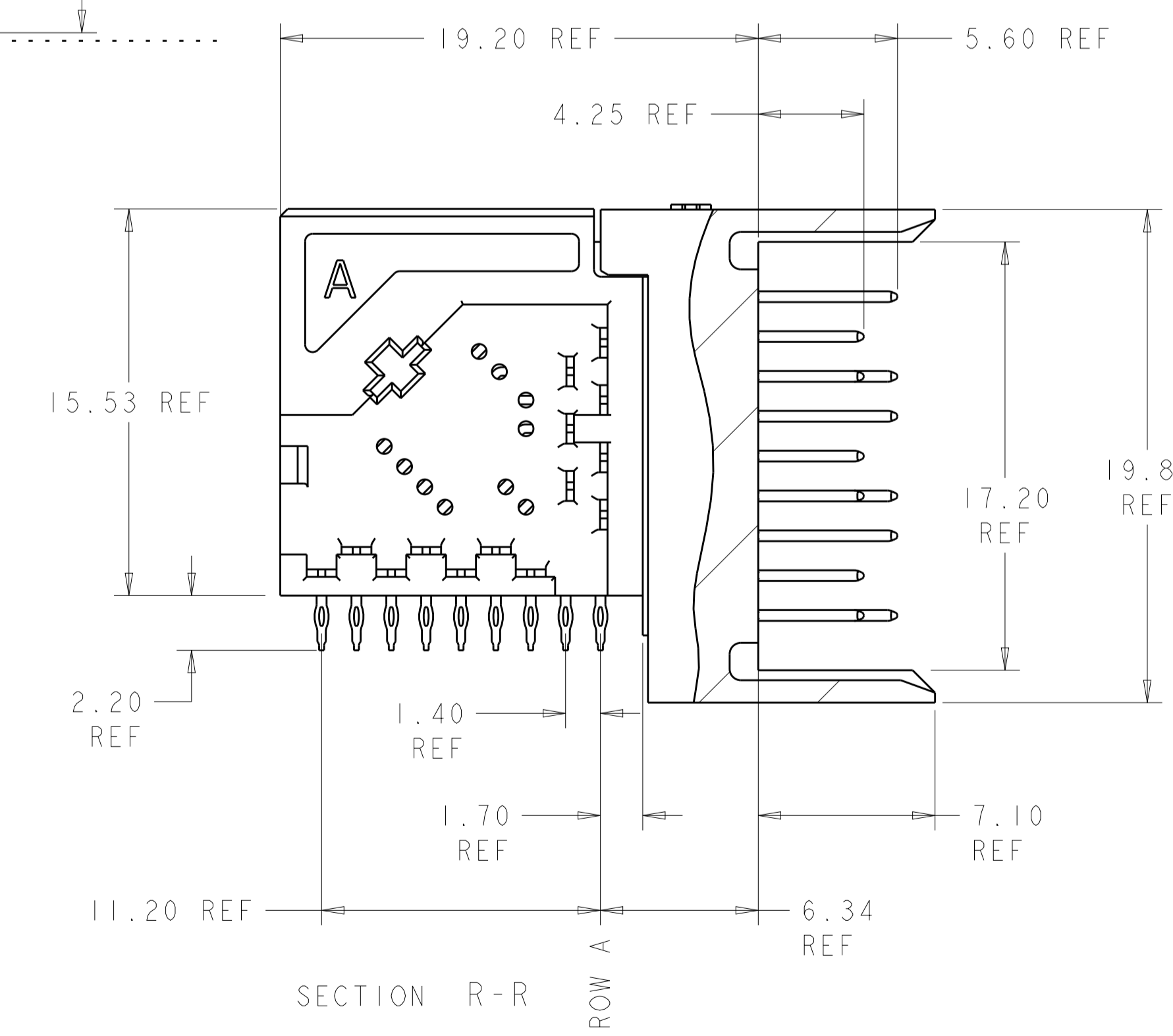
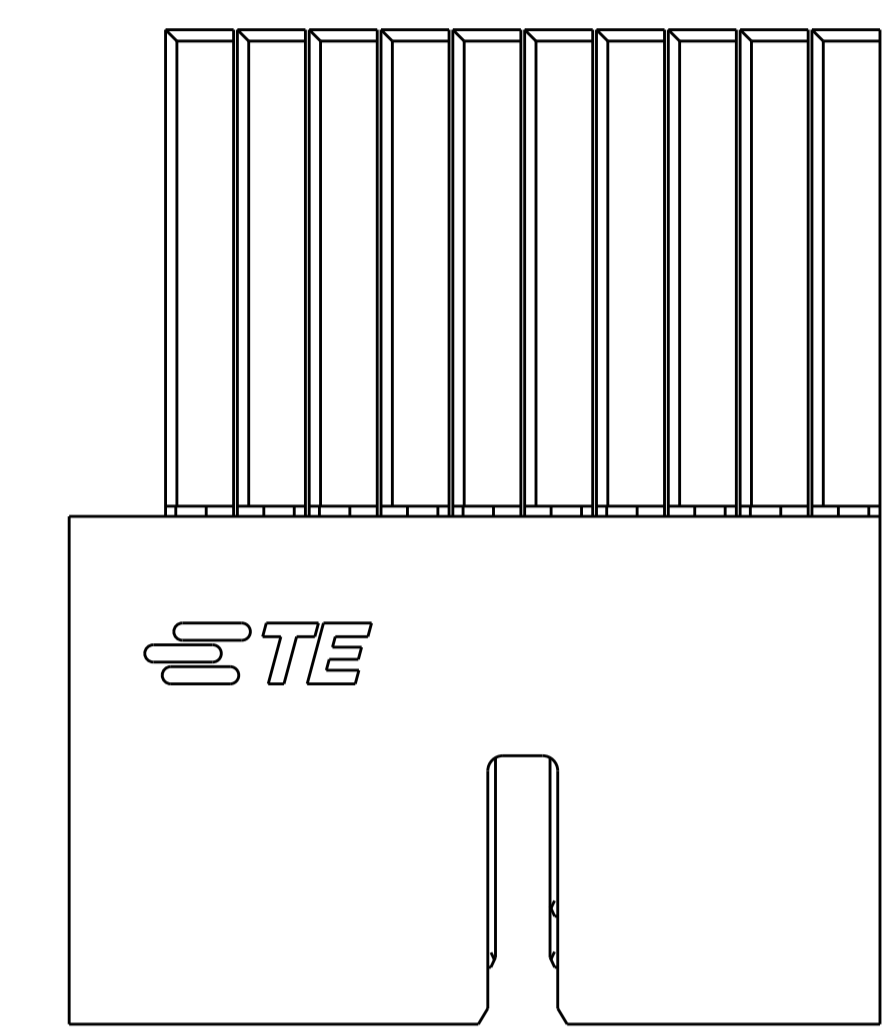
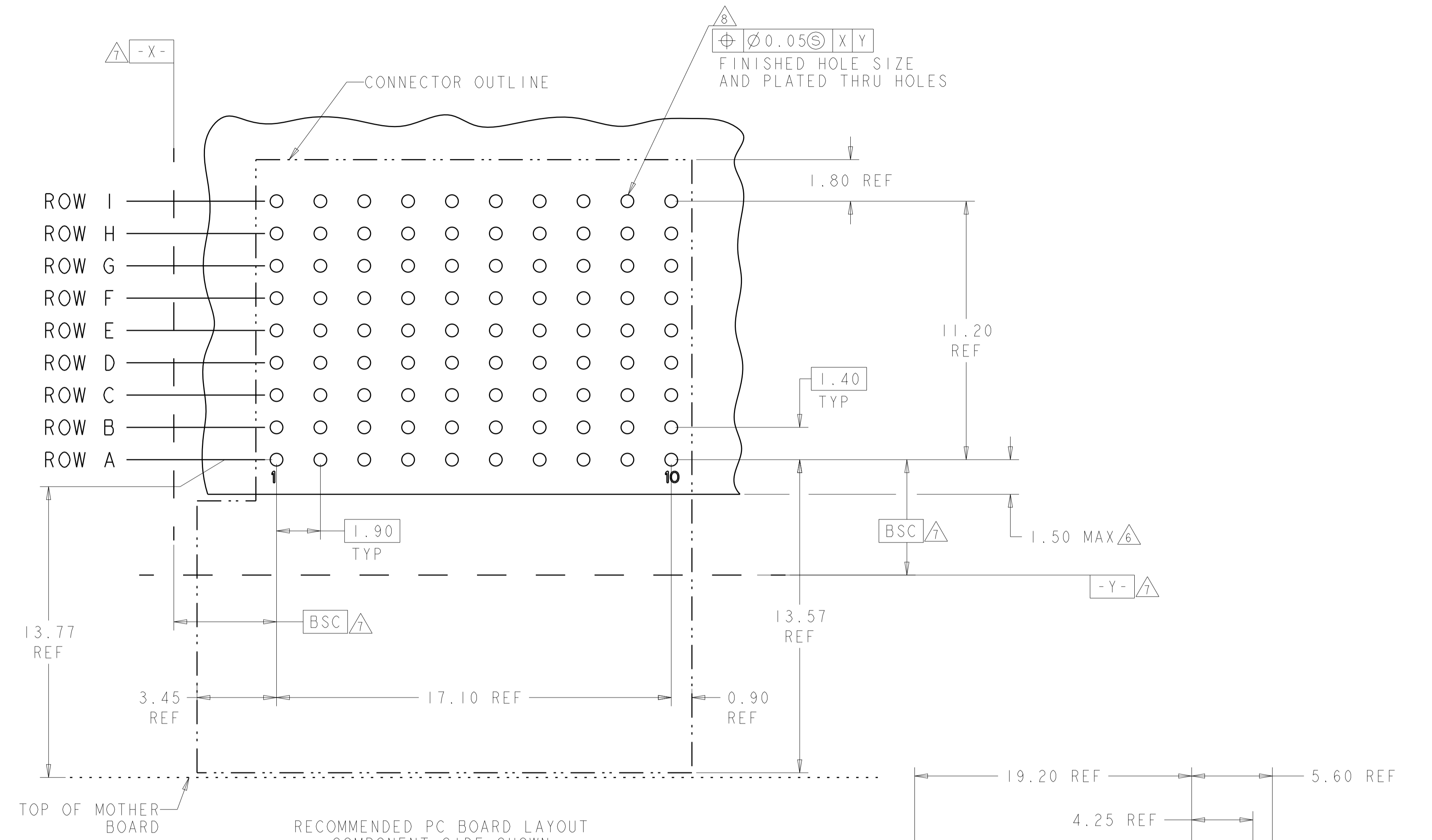


| LOC | | DIST | | REVISIONS | | | |
|-----|-----|---------------------------|---------|-----------|------|--|--|
| P | LTN | DESCRIPTION | DATE | DWN | APVD | | |
| B | | REV PER ECO 12-010940 | 7-31-12 | CT | DH | | |
| C | | REVISED PER ECO-14-017030 | 24NOV14 | MGM | CT | | |



- 1 MATERIAL:
CONTACT AND SHIELD: COPPER ALLOY
HOUSING AND CHICKLET: LCP, COLOR: BLACK
- 2 FINISH:
CONTACT: MATING AREA: 1.27µm MIN GOLD OVER
1.27µm MIN NICKEL
- 3 FINISH:
COMPLIANT PIN AREA: 0.38µm MIN BRIGHT TIN LEAD OVER
1.27µm MIN NICKEL
- 4 FINISH:
COMPLIANT PIN AREA: 0.38µm MIN MATTE TIN OVER
1.27µm MIN NICKEL
- 5 --
- 6 DIMENSION APPLIES TO CENTERLINE OF THRU HOLE.
- 7 DATUMS AND BASIC DIMENSIONS ESTABLISHED BY CUSTOMER.
- 8 REFERENCE APPLICATION SPEC 114-13267 FOR RECOMMENDED PLATED THRU HOLE DIAMETER AND PLATING THICKNESS.

| | |
|--------|-------------|
| 2 4 | 2102314-2 |
| 2 3 | 2102314-1 |
| FINISH | PART NUMBER |

THIS DRAWING IS A CONTROLLED DOCUMENT.

| | | | | | |
|-------------|---|--------------------------|-----------------------------|--------------------------------------|---|
| DIMENSIONS: | TOLERANCES UNLESS OTHERWISE SPECIFIED: | DWN: D. BELACK 16AUG2010 | CHK: A. TSANG 8-16-10 | APVD: M. McALONIS 8-16-10 | NAME: Fortis Zd, 3-PAIR, 10-COLUMN, R/A, LEFT MODULE ASSEMBLY, SINGLE ENDED |
| mm | 0 PLC ±0.13 1 PLC ±0.13 2 PLC ±0.05 3 PLC ±0.05 4 PLC ±0.05 ANGLES ±2° | PRODUCT SPEC: 108-2409 | APPLICATION SPEC: 114-13267 | SIZE: CAGE CODE: DRAWING NO: A100779 | RESTRICTED TO: - |
| MATERIAL: | FINISH: | WEIGHT: ~11.75g | CUSTOMER DRAWING | SCALE: 5:1 | SHEET 1 OF 1 REV C |

STE TE Connectivity