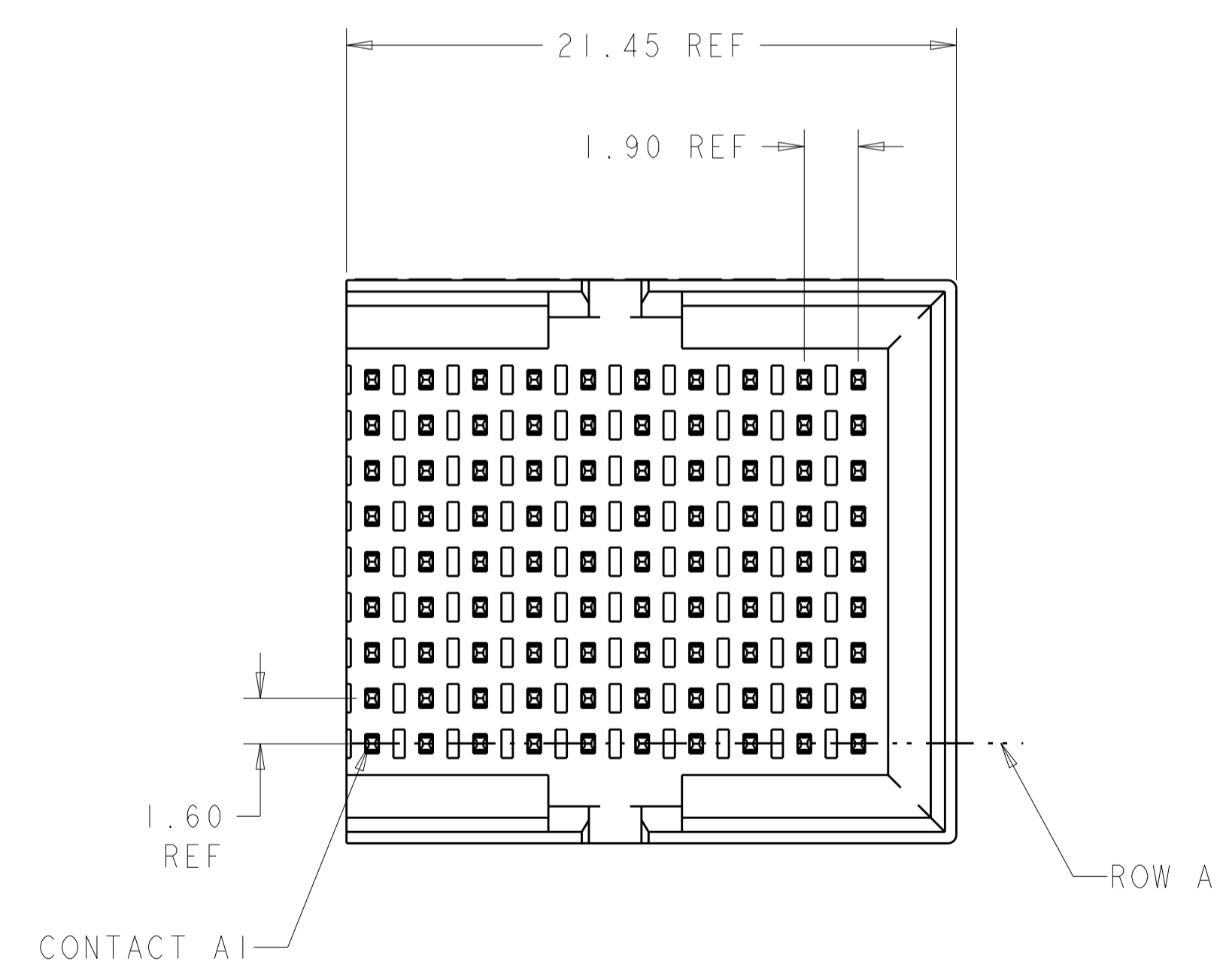
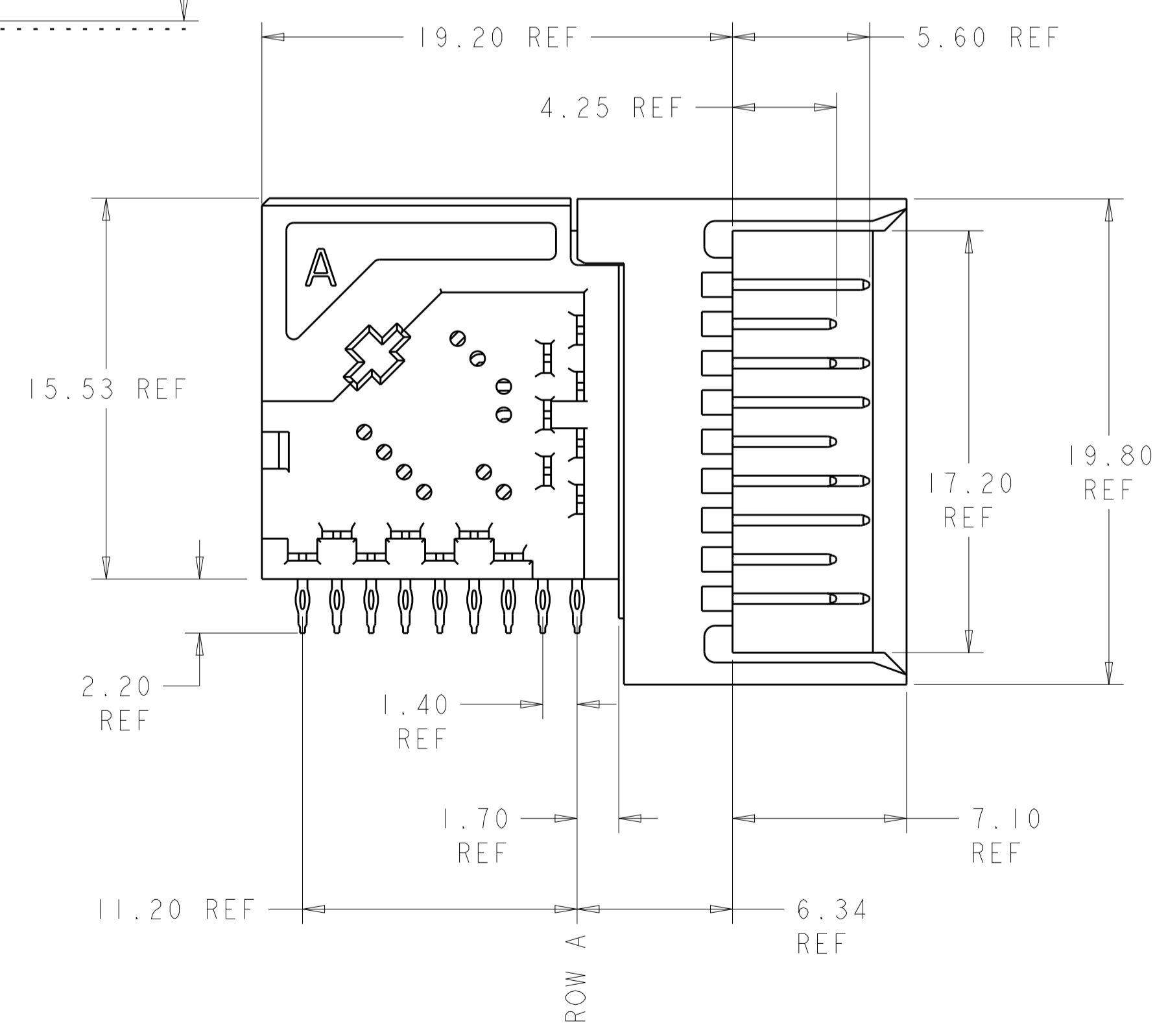
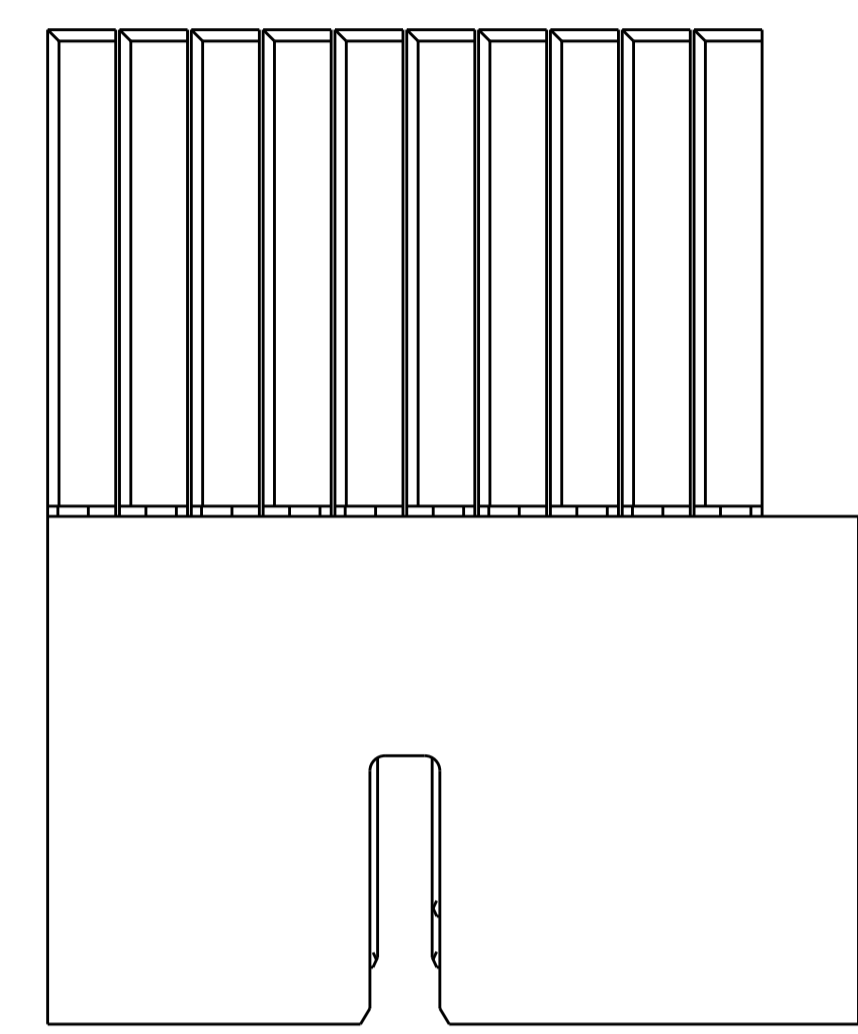
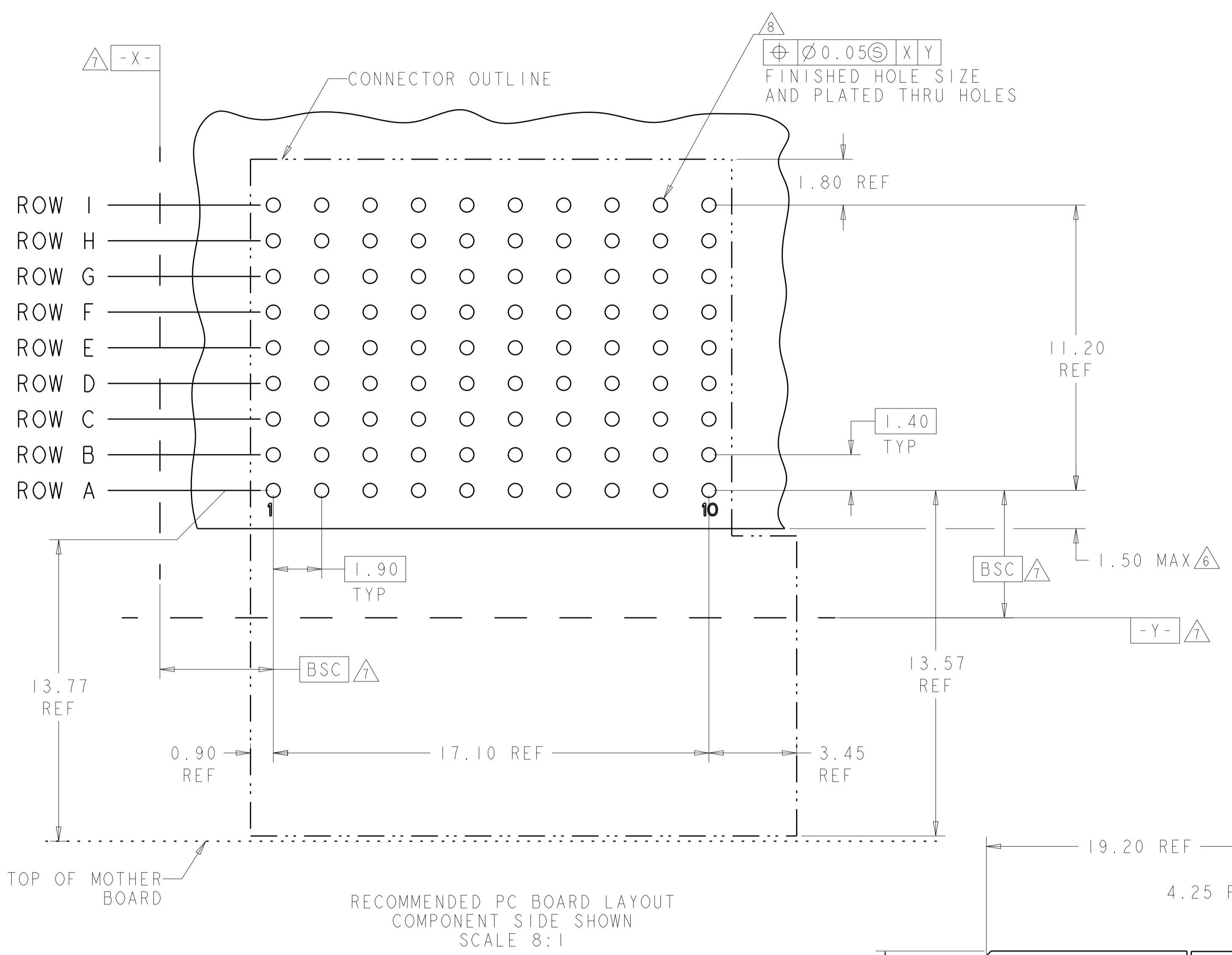


LOC		DIST		REVISIONS			
P	LTN	DESCRIPTION	DATE	DWN	APVD		
B		REV PER ECO 12-010940	7-31-12	CT	DH		
C		ECO-13-004755	26MAR2013	KG	DH		
D		ECO-14-017030	25NOV2014	MGM	CT		



- 1 MATERIAL:
CONTACT AND SHIELD: COPPER ALLOY
HOUSING AND CHICKLET: LCP, COLOR: BLACK
- 2 FINISH:
CONTACT: MATING AREA: 1.27µm MIN GOLD OVER
1.27µm MIN NICKEL
- 3 FINISH:
COMPLIANT PIN AREA: 0.38µm MIN BRIGHT TIN LEAD OVER
1.27µm MIN NICKEL
- 4 FINISH:
COMPLIANT PIN AREA: 0.38µm MIN MATTE TIN OVER
1.27µm MIN NICKEL
- 5 ---
- 6 DIMENSION APPLIES TO CENTERLINE OF THRU HOLE.
- 7 DATUMS AND BASIC DIMENSIONS ESTABLISHED BY CUSTOMER.
- 8 REFERENCE APPLICATION SPEC 114-13267 FOR RECOMMENDED PLATED THRU HOLE DIAMETER AND PLATING THICKNESS.

2 4	2102317-2
2 3	2102317-1
FINISH	PART NUMBER

THIS DRAWING IS A CONTROLLED DOCUMENT. DIMENSIONING AND TOLERANCING PER GPS (130 STANDARDS)

DIMENSIONS:	TOLERANCES UNLESS OTHERWISE SPECIFIED:	DWN	16AUG2010
mm	0 PLC ±	D BELACK	8-16-2010
	1 PLC ±.13	CHK A. TSANG	
	3 PLC ±.05	APVD M. McALONIS	8-16-2010
	4 PLC ±	NAME	
	ANGLES ±	PRODUCT SPEC	108-2409
MATERIAL	FINISH	APPLICATION SPEC	114-13267
		SIZE	CAGE CODE DRAWING NO
		WEIGHT	~11.76g
		CUSTOMER DRAWING	A100779C=2102317

RESTRICTED TO

SCALE 5:1 SHEET 1 OF 1 REV D

Fortis Zd. 10-COLUMN, R/A RIGHT MODULE ASSEMBLY SINGLE ENDED