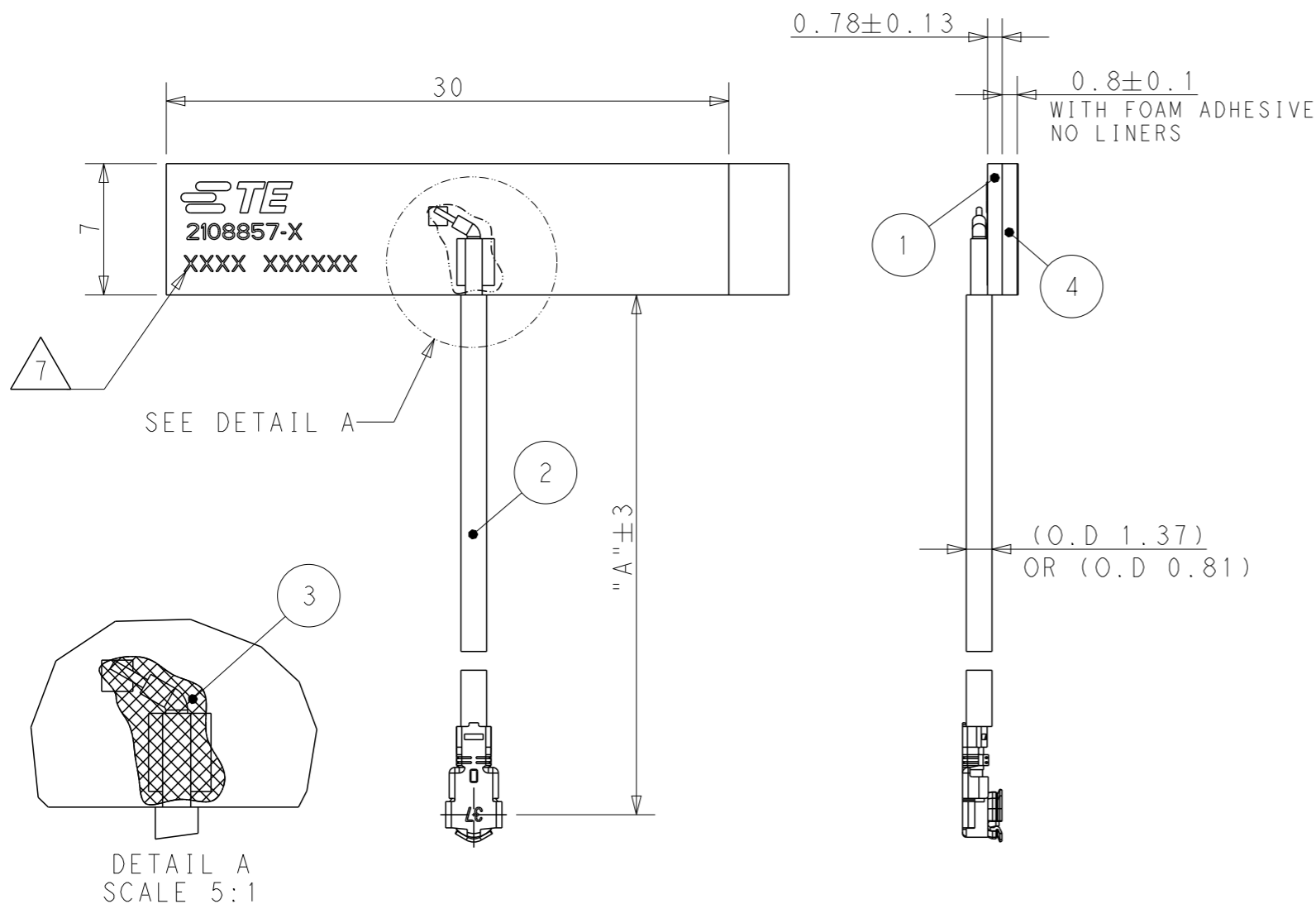


P	LTR	DESCRIPTION	DATE	DWN	APVD
	A	REVISED PER ECO-21-000028	04JAN2021	DW	JH
	A1	REVISED PER ECN-24-252773	09JAN2024	DW	JH



NOTES : UNLESS OTHERWISE SPECIFIED

- FABRICATE TO MEET IPC - 6012, CLASS 2.
INSPECT TO MEET IPC - A - 600, CLASS 2.
- MATERIAL :
 - A. PCB : FR4 + ADHESIVE
 - B. ADHESIVE WITH LINER ON THE BACK SIDE, REMOVE LINER TO APPLY.
 - C. CABLE WITH CONNECTOR
- FINISH : SOLDERMASK BOTH SIDES, ORANGE
- GENERAL TOLERANCES : ±0.20
- PACKING : SECURELY SHRINK WRAPPED, VACUUM PACKED OR BAGS PACKAGED IN BULK.
- CONSULT TE CONNECTIVITY DATA SHEET DS2108857.

7. MINIMUM IDENTIFICATION INCLUDES

- A. TE LOGO, TE P/N
- B. WORD REV., FOLLOWED BY THE LATEST REVISION LETTER, AS SHOWN.
- C. 4 DIGITS DATE CODE : FIRST 2 DIGITS FOR THE WEEK CODE AND THE 2 DIGITS FOR THE YEAR CODE.
- OTHERS : SPECIFIC TE INTERNAL USE ONLY.

MHF 4 (CABLE O.D 0.81)	250.00	2108857-9
	200.00	2108857-8
	150.00	2108857-7
	100.00	2108857-6
	50.00	2108857-5
MHF (CABLE O.D 1.37)	200.00	2108857-4
	150.00	2108857-3
	100.00	2108857-2
	50.00	2108857-1
CONN. TYPE	A (mm)	PART NUMBER

DOUBLE-SIDED TAPE	ADHESIVE	4
UV CURING EPOXY	GLUING	3
COAXIAL CABLE & CONN.	CABLE ASS'Y	2
FR4	PCB ANTENNA	1
MATERIAL	NAME	ITEM NO.

THIS DRAWING IS A CONTROLLED DOCUMENT.

DIMENSIONS:	TOLERANCES UNLESS OTHERWISE SPECIFIED:
mm	
	0 PLC ±-
	1 PLC ±-
	2 PLC ±-
	3 PLC ±-
	4 PLC ±-
	ANGLES ±-
MATERIAL	FINISH
-	-
-	-

DWN	DW.PARK	09DEC2020
CHK	H.SHIN	09DEC2020
APVD	JH.KIM	09DEC2020
PRODUCT SPEC	-	
APPLICATION SPEC	-	
WEIGHT	-	
CUSTOMER DRAWING	-	

STE TE Connectivity			
NAME PCB ANTENNA, CABLE, Wi-Fi 6E TRIPLE BAND			
SIZE	CAGE CODE	DRAWING NO	RESTRICTED TO
A3	00779	C-2108857	-
SCALE 3:1		SHEET 1 OF 1	REV A1