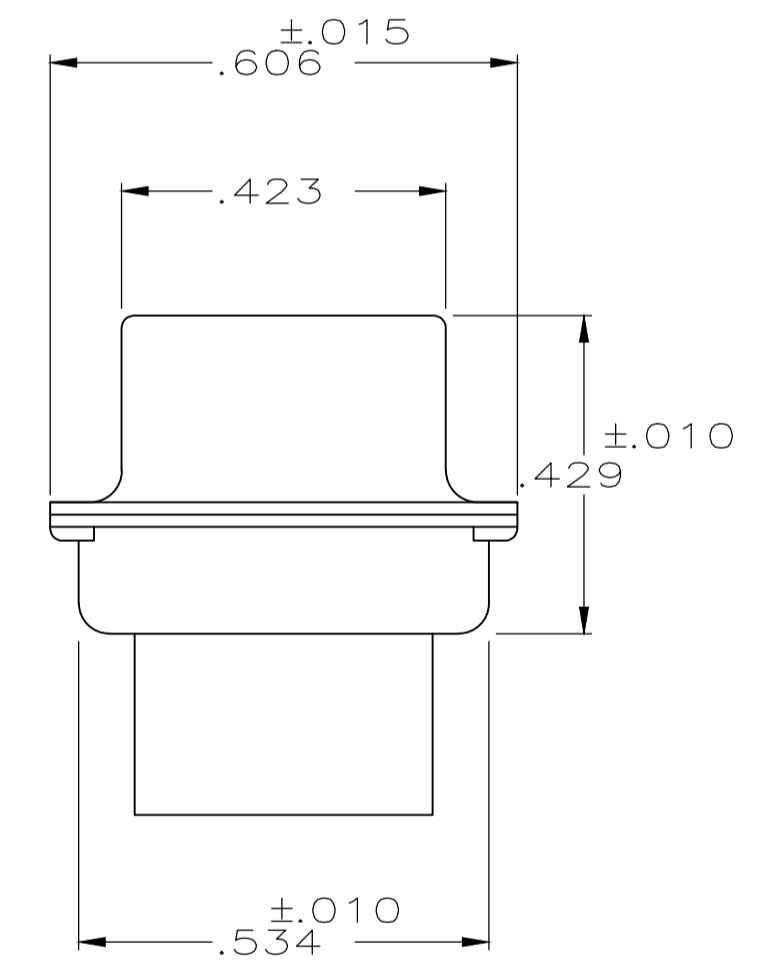
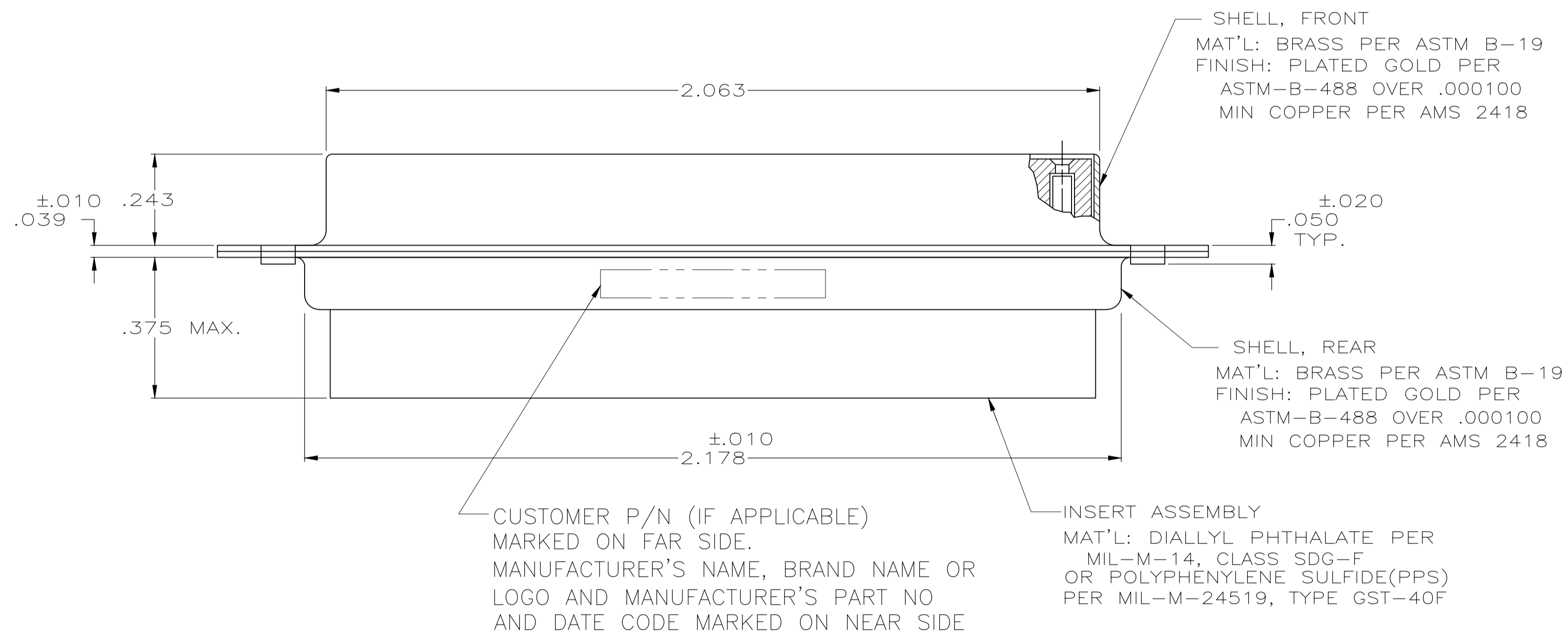
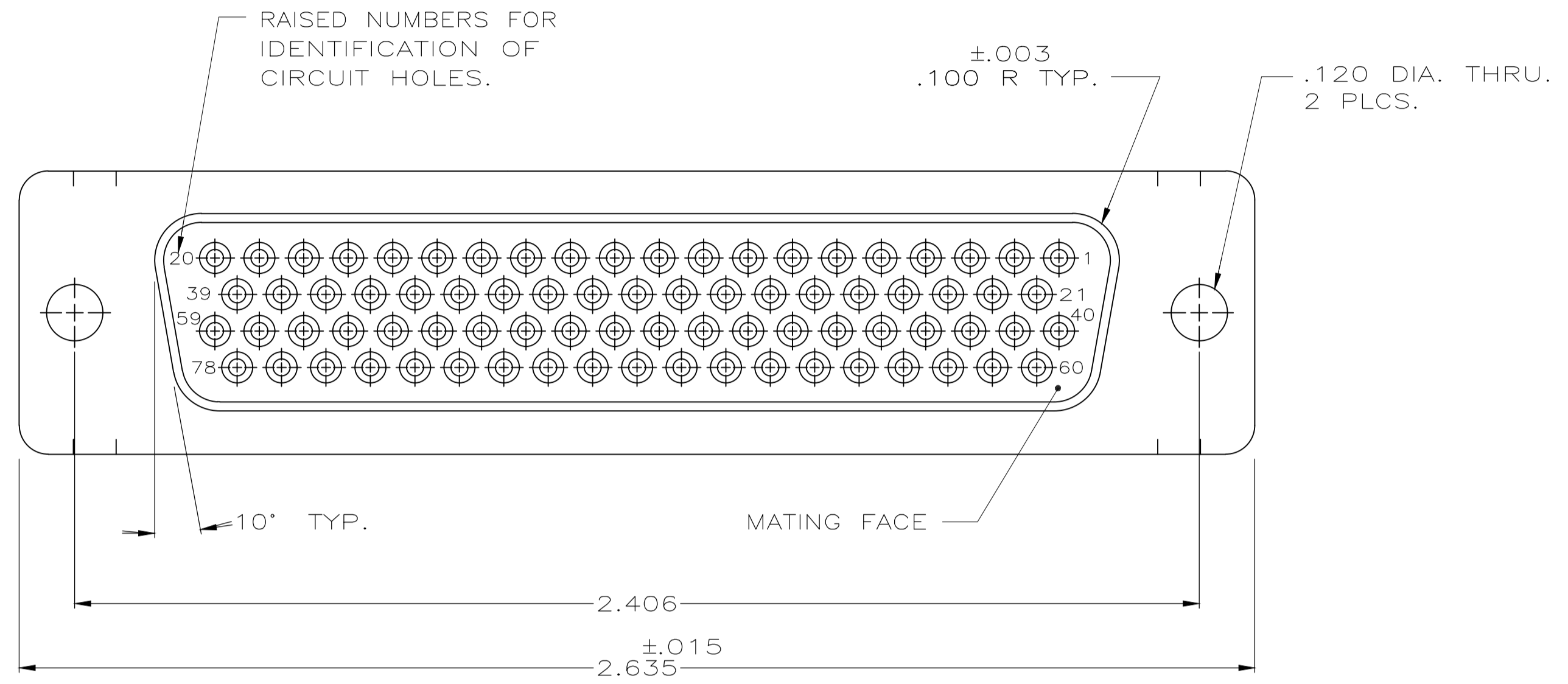


REVISIONS					
P	LTR	DESCRIPTION	DATE	DMN	APVD
E		REV PER ECO 20-001902	4-30-20	CT	DM

1. THIS RECEPTACLE WILL MATE WITH ANY SIZE 5,78 POSN. PLUG IN AMPLIMITE SERIES.
2. CONNECTOR SUPPLIED WITHOUT CONTACTS; SHOWN FOR ILLUSTRATION ONLY.
3. BE-CU RETENTION CLIPS ARE INCLUDED IN INSERTS AND INSTALLED WITH TINES POINTING TOWARDS MATING FACE.
4. OVERALL DIMENSIONS DO NOT INCLUDE RAISED CAVITY IDENTIFICATION
5. MARKING FAR SIDE REFERS TO WIDE SIDE OF KEYSTONE. NEAR SIDE REFERS TO NARROW SIDE OF KEYSTONE.
6. 100% INSPECTION REQUIRED PER BOEING 1B01:
 - A. VISUAL
 - B. DWV
 - C. IR
7. CUSTOMER REQUIRES SINGLE LOT DATE CODE.



REMARKS	1B01-005RHW	1-211647-1
	1B01-005	211647-1
REMARKS	CUSTOMER PART NUMBER	PART NO.

THIS DRAWING IS A CONTROLLED DOCUMENT.		DIN 160CT2008	ERDMAN	
DIMENSIONS: INCHES		TOLERANCES UNLESS OTHERWISE SPECIFIED:	B. YOHN	
0 PLC ± -		1 PLC ± -	APVD J. BROSCARD	
1 PLC ± -		2 PLC ± -	NAME	
2 PLC ± -		3 PLC ± .005	PRODUCT SPEC	
3 PLC ± -		4 PLC ± -	APPLICATION SPEC	
4 PLC ± -		ANGLES ± ± 0°30'	SIZE	
MATERIAL SEE CALLOUT		FINISH SEE CALLOUT	WEIGHT 0.000000	A1 00779
			C=211647	RESTRICTED TO
			CUSTOMER DRAWING	SCALE NTS SHEET 1 OF 1 REV E