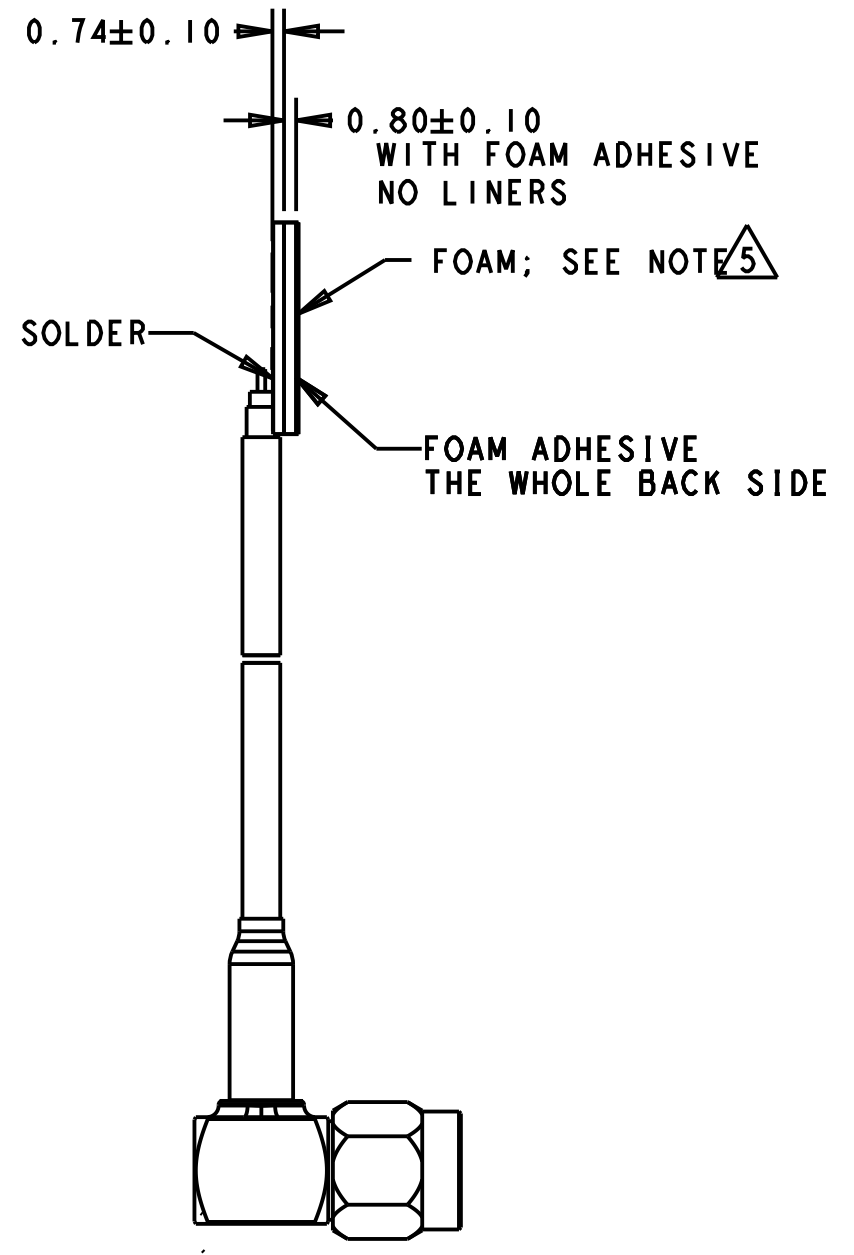
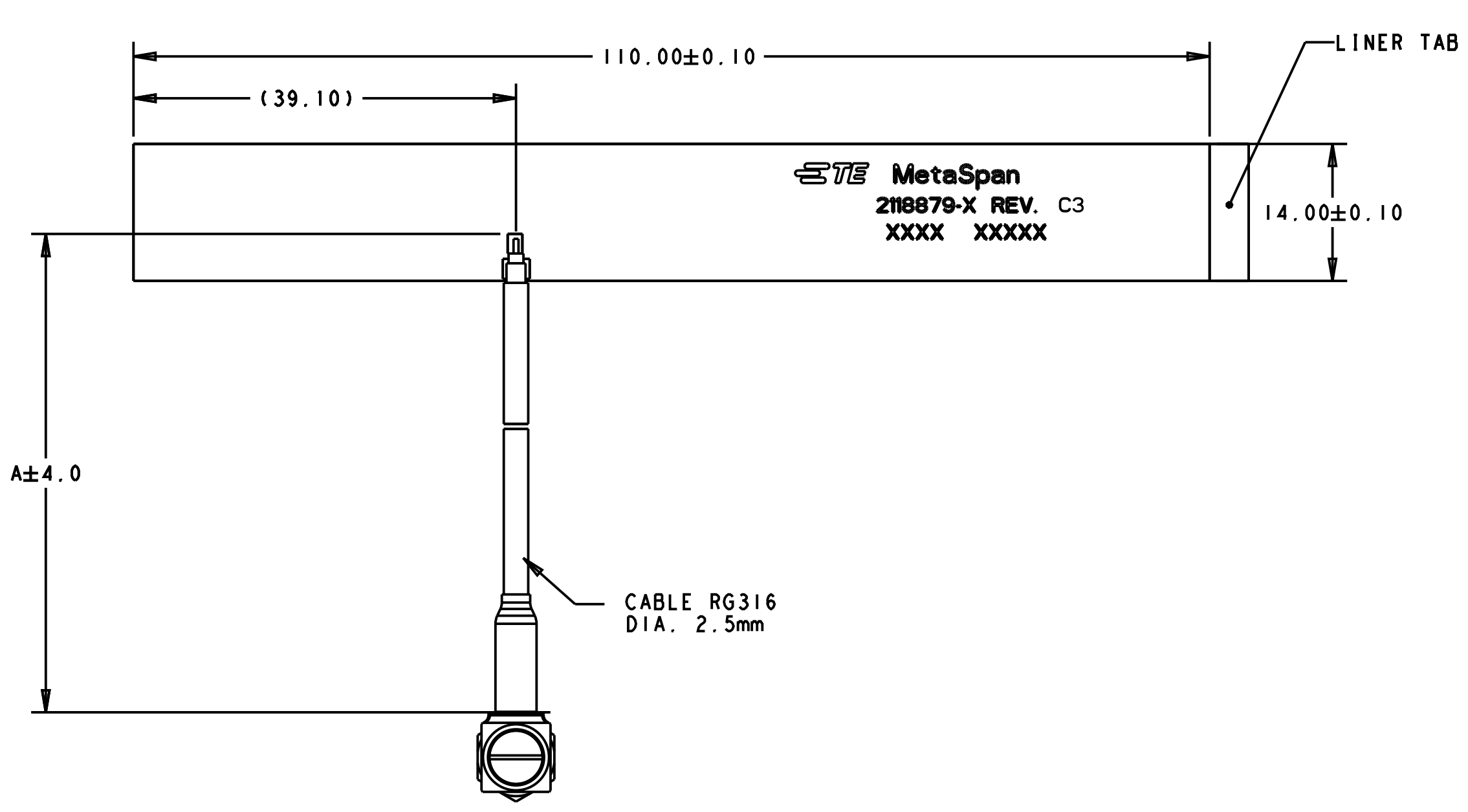


THIS DRAWING IS UNPUBLISHED. RELEASED FOR PUBLICATION 20  
 © COPYRIGHT 20 BY ALL RIGHTS RESERVED.

REVISIONS				
P	LYR	DESCRIPTION	DATE	APVD
B		CHANGE CONN. TO RIGHT ANGLE	15MAR2019	CR JLM
C		REVISED PER ECO-19-015607	14OCT2019	DW AC
C1		+NEW PN-6 CHANGE CABLE AND SMA CON.	07JUL2020	DC AC
C2		UPDATE PRINT REV TO C3	01JAN2021	DC AC

AS SHOWN PN-1, -2



NOTES: UNLESS OTHERWISE SPECIFIED.

- FABRICATE TO MEET IPC - 6013, CLASS 2.  
INSPECT TO MEET IPC - A - 600, CLASS 2.
- MATERIAL: A. PCB; FR4, COPPER THICKNESS 1/2 OZ.  
B. CABLE; RG316, COLOR: BROWN  
C. CONNECTOR: SMA CONNECTOR  
D. FOAM: 3M VHB RP32, GRAY
- FINISH: A. SOLDERMASK (SMOBC) COLOR: ORANGE  
B. ENIG-ELECTROLESS NICKEL IMMERSION GOLD ON EXPOSED  
SOLDER AREAS PRIOR TO SOLDERING.
- PRODUCT AND PROCESSING MEET REQUIREMENTS OF TE  
CONNECTIVITY ENVIRONMENTAL STANDARD TEC-138-702.  
LOW HALOGEN: CODE2:LOW Br/Cl PER TEC-138-702

5. ADHESIVE; REMOVE PAPER BACKING OF PRESSURE SENSITIVE ADHESIVE TO APPLY.

- SILKSCREEN; WHITE EPOXY INK  
A. TE LOGO, TE P/N  
B. WORD REV., FOLLOWED BY THE LATEST REVISION LETTER, AS SHOWN.  
C. 4 DIGIT DATE CODE. FIRST 2 DIGITS FOR THE  
WEEK CODE AND THE 2ND TWO DIGITS FOR THE YEAR CODE.  
SPECIFIC TE VENDOR CODE NUMBER DIGITS AS REQUIRED.

457.2	18"	2118879-2
254	10"	2118879-1
MM	INCH	PART NUMBER
"A" CABLE LENGTH		

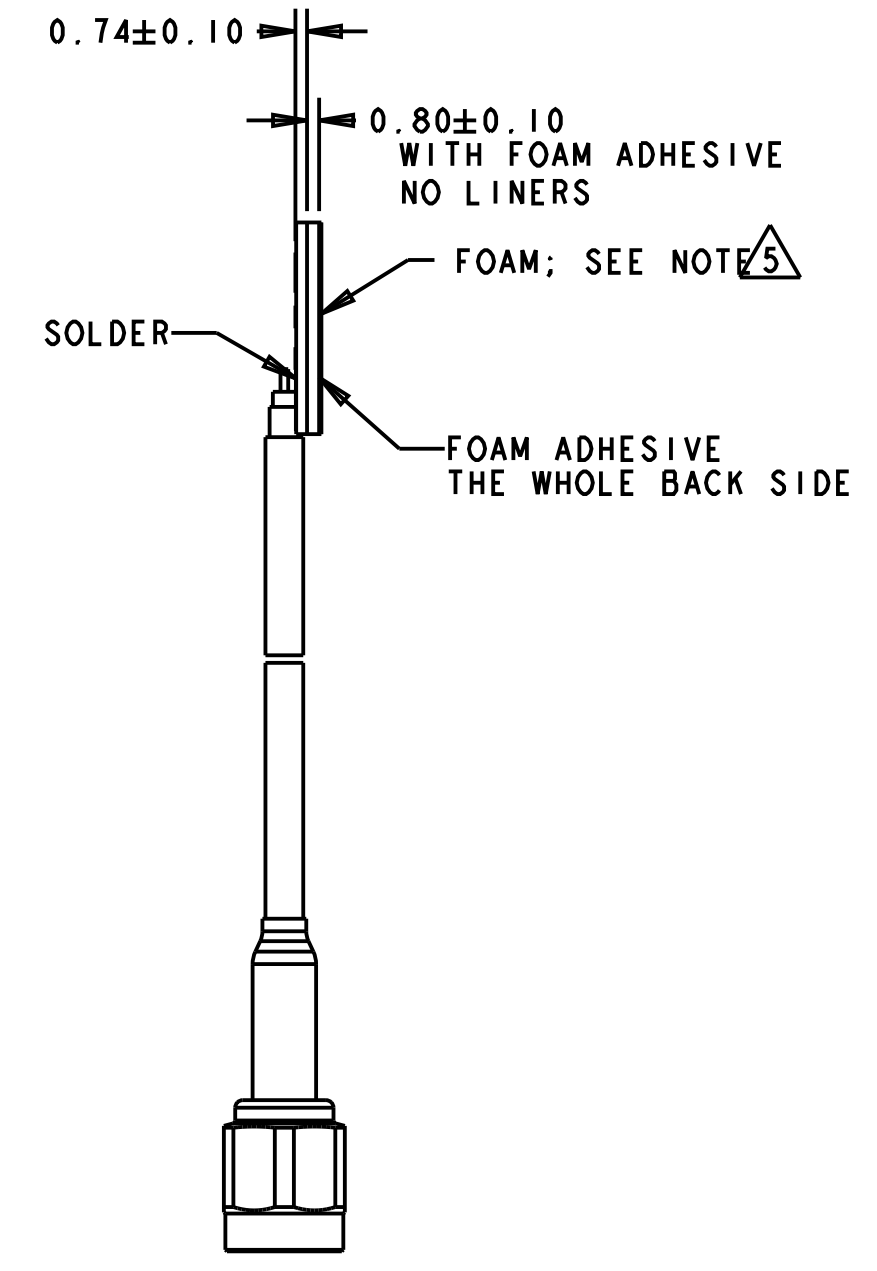
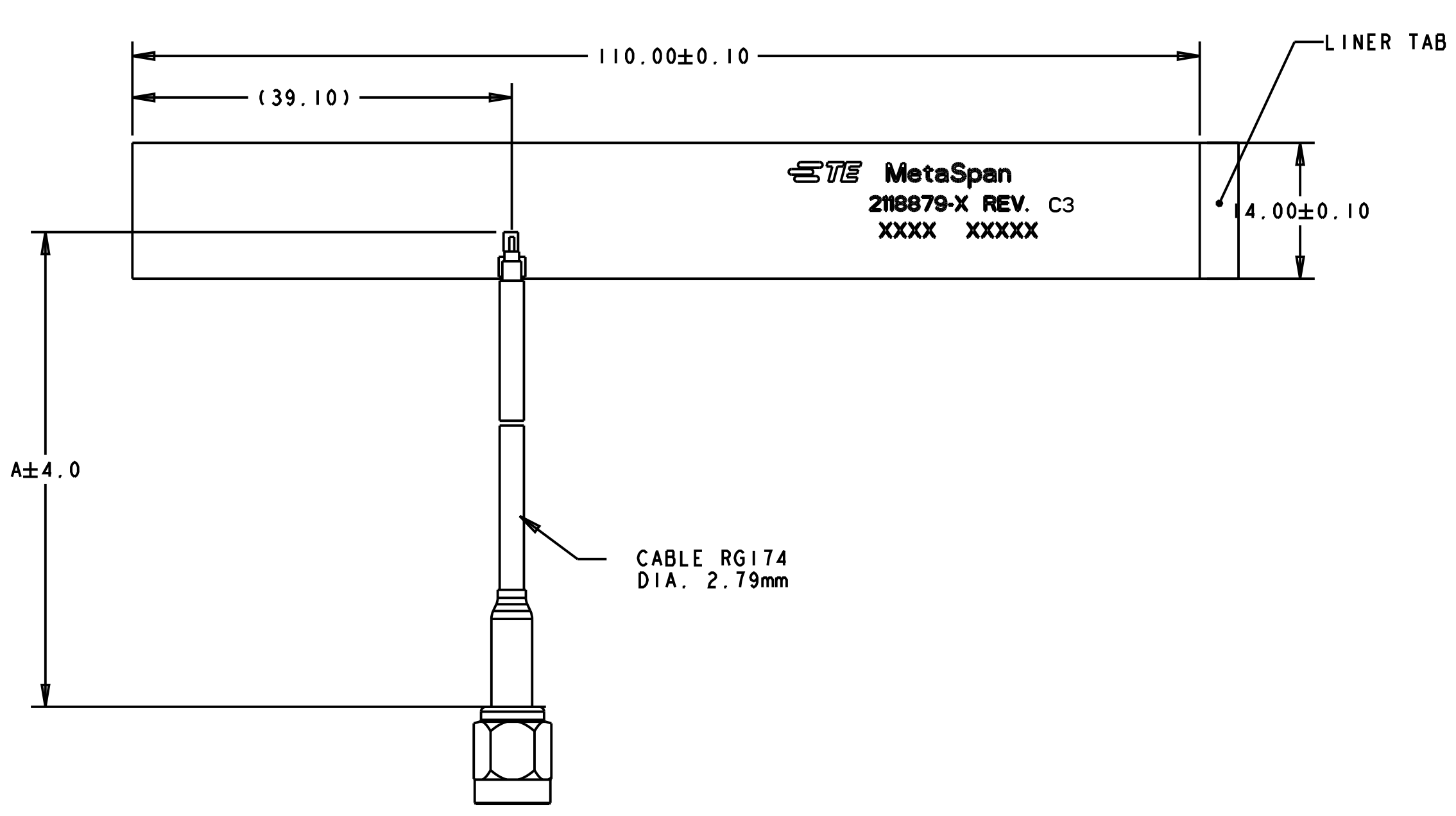
THIS DRAWING IS A CONTROLLED DOCUMENT.

DIMENSIONS:	TOLERANCES UNLESS OTHERWISE SPECIFIED:	DWN C. REGUS 10MAY2018	TE Connectivity NAME 4G WORLD BAND METASPAN PCB DEPENDENT
mm	0 PLC ± 1 PLC ±0.5 2 PLC ±0.13 3 PLC ±0.013 4 PLC ±0.0001	CHK C. REGUS 10MAY2018	
	ANGLES ± FINISH	APVD J. MOORE 10MAY2018	
MATERIAL		PRODUCT SPEC	
		APPLICATION SPEC	RESTRICTED TO
		WEIGHT	SIZE A2 CAGE CODE 00779 DRAWING NO C-2118879
		CUSTOMER DRAWING	SCALE 2:1 SHEET 1 OF 2 REV C2

THIS DRAWING IS UNPUBLISHED. RELEASED FOR PUBLICATION 20  
 © COPYRIGHT 20 BY ALL RIGHTS RESERVED.

REVISIONS				
P	LYR	DESCRIPTION	DATE	APVD
		SEE SHEET 1		

AS SHOWN PN-4 - 6



457.2	18"	2118879-6
130.0	5.12"	2118879-4
MM	INCH	PART NUMBER
"A" CABLE LENGTH		

THIS DRAWING IS A CONTROLLED DOCUMENT.

<b>DIMENSIONS:</b> mm  <b>TOLERANCES UNLESS OTHERWISE SPECIFIED:</b> 0 PLC ± 1 PLC ±0.5 2 PLC ±0.13 3 PLC ±0.013 4 PLC ±0.0001 ANGLES ± FINISH	DWN <b>C. REGUS</b> 10MAY2018	TE Connectivity <b>4G WORLD BAND METASPAN PCB DEPENDENT</b>
	CHK <b>C. REGUS</b> 10MAY2018	
	APVD <b>J. MOORE</b> 10MAY2018	
	PRODUCT SPEC	
MATERIAL	APPLICATION SPEC	RESTRICTED TO
	WEIGHT	SIZE CAGE CODE DRAWING NO <b>A200779 C-2118879</b>
	CUSTOMER DRAWING	SCALE 2:1 SHEET 2 OF 2 REV C2